

# Push Button Switch

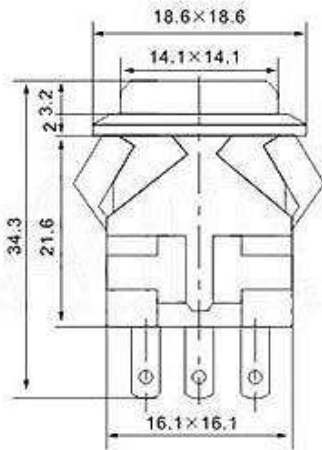
**Q-794**

TYPE: **KD2-23**

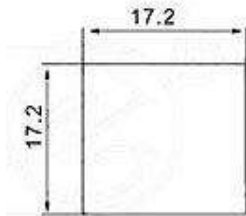
## SPECIFICATIONS

Rating: 3A 250V AC  
Contact R: 35mΩ max  
Insulation R: 500V DC 100MΩ min  
Dielectric Strength: 1 Minute 1500V AC  
Operating Temperature: -25°C ~ +85°C  
Electrical Life: 10, 000 Cycles

Outline Drawing



Mounting



Circuitry

