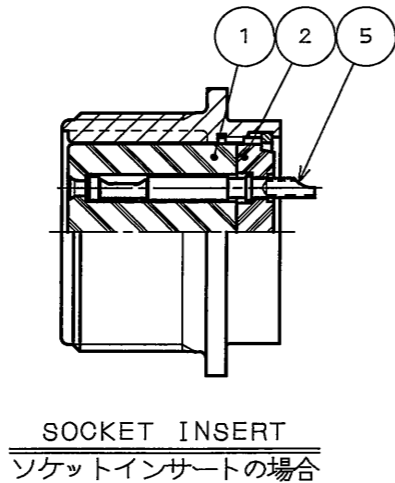
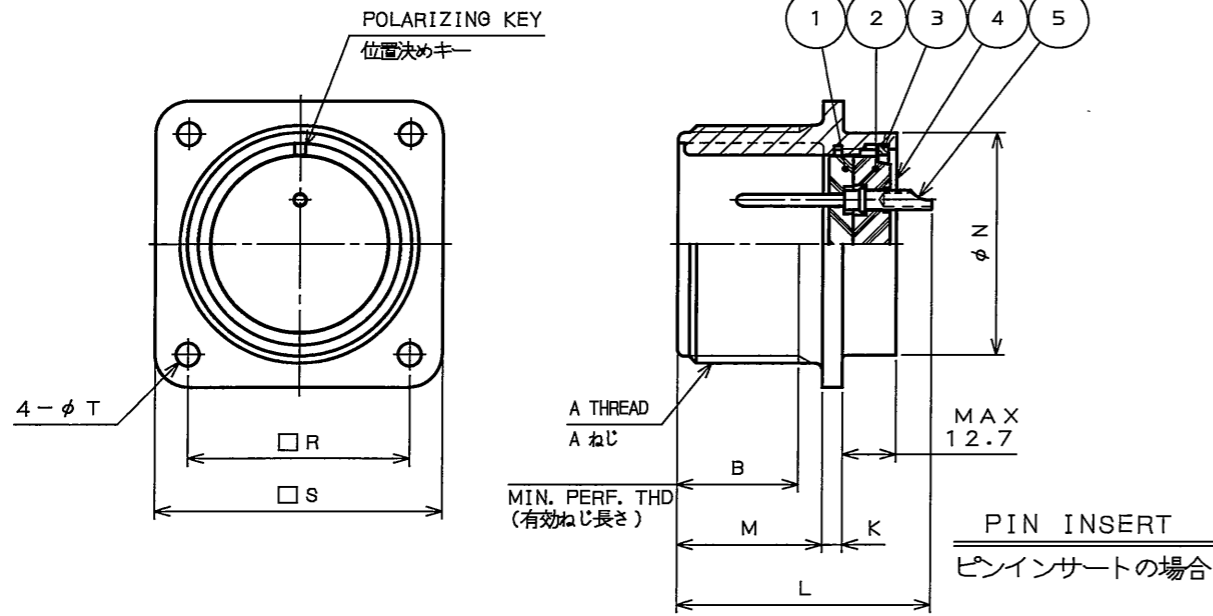


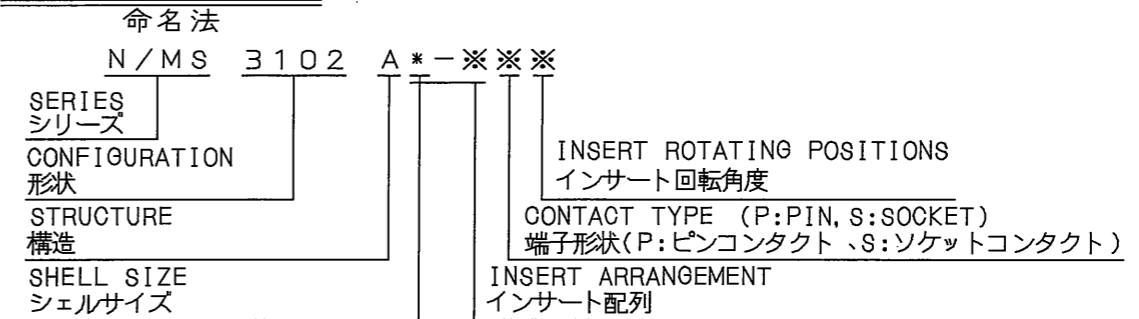
706001RS
(ON 0NIMVHD) 台要里図

版数 REV.	年月日 DATE	DCN No.	変更内容 DESCRIPTION	製図 DR.	担当 CHK.	査閲 APPD.	承認 APPD.
2	7.Dec.2005	058422	COLOR CHANGED	H.SAKURADA	T.SUZUKI	T.OKAMURA	A.ONOGAWA
3	22.May.2006	060179	CORRECT AN ERROR etc.		N.SASANO	E.Matsumoto	O.Hashiguchi



SHELL SIZE シェルサイズ*	A THREAD A ねじ	MIN B	K	L ^{MAX}	M ^{+0.79} ₀	N ⁺⁰ _{-4.78}	R ^{±0.13}	S ^{±0.79}	T ^{+0.25} _{-0.13}
10SL	5/8-24UNEF-2A	9.52	3.96/1.57	30.25	14.27	19.86	18.26	25.40	3.05
12S	3/4-20UNEF-2A	↑	↑	↑	↑	19.86	20.62	27.79	↑
14S	7/8-20UNEF-2A	↓	↑	↓	↓	23.01	23.01	30.18	↑
16S	1-20UNEF-2A	9.52		30.25	14.27	26.21	24.61	32.54	
12	3/4-20UNEF-2A	15.88		43.51	19.05	19.86	20.62	27.79	
14	7/8-20UNEF-2A	↑	↓	43.51	↑	23.01	23.01	30.18	
△ 16	1-20UNEF-2A		3.96/1.57	44.45		26.21	24.61	32.54	
△ 18	1 1/8-18UNEF-2A		5.16/2.39	49.22		29.36	26.97	34.92	
△ 20	1 1/4-18UNEF-2A		↑	↑	↓	32.56	29.36	38.10	↓
22	1 3/8-18UNEF-2A				19.05	35.71	31.75	41.28	3.05
24	1 1/2-18UNEF-2A		↓		20.62	38.91	34.92	44.45	3.73
28	1 3/4-18UNS-2A		5.16/2.39		20.62	45.26	39.67	50.80	3.73
32	2-18UNS-2A		9.12/3.18	↓	22.22	51.61	44.45	57.15	4.39
36	2 1/4-16UN-2A		↑	49.22	↑	57.96 ⁺⁰ _{-6.35}	49.23	63.50	↑
40	2 1/2-16UN-2A			55.58		64.31 ⁺⁰ _{-6.35}	55.58	69.85	
44	2 3/4-18UN-2A		↓	55.58	↓	70.66	60.32	76.20	↓
48	3-16UN-2A	15.88	9.12/3.18	55.58	22.22	77.01	66.68	82.55	4.39

DESIGNATION



- NOTE 1. 10SL SHELL SIZE USES ONLY PIN INSERT.
 2. REFER TO THE DRAWING SJ100900 FOR INSERT ARRANGEMENT, INSERT ROTATING POSITIONS AND SPECIFICATIONS.
 △ 3. THE SOLDER-POTS OF ARRANGEMENT 32-17 ARE FACING THE SAME DIRECTION.
 注1. シェルサイズ10SLは、ピンインサートのみである。
 2. インサート配列、インサート回転角度、仕様は、SJ100900を参照のこと。
 △ 3. 配列32-17のソルダーポット向きは、同一方向である。

符号 NO.	名称 DESCRIPTION	個数 QTY.	材料 MATERIAL	仕上 FINISH	備考 REMARKS
5	CONTACT	—	COPPER ALLOY	SILVER PLATE	SEE INSERT ARRANGEMENT (NOTE2)
4	SHELL	1	ALUMINUM ALLOY	ZINC PLATING	△ COLOR:BLACK SYSTEM INTERFERENCE COLOR
3	RETAINING RING	1	COPPER ALLOY	ZINC PLATING	△ COLOR:BLACK SYSTEM INTERFERENCE COLOR
2	REAR INSULATOR	1	SYNTHETIC RESIN		
1	FRONT INSULATOR	1	SYNTHETIC RESIN		

仕様書 (SPECIFICATION) JACS-50003 JAHL-50003	第1版 (ORIGINAL DATE) 2.Mar.2005	尺度 (SCALE)	シリーズ (SERIES) N/MS	日本航空電子工業株式会社 JAPAN AVIATION ELECTRONICS INDUSTRY, LTD. 図面番号 (DRAWING NO.) SJ100904
製造 DR.	製図 DR.	名称 (TITLE) N/MS3102A*-※※※		
担当 CHK. 査閲 APPD.	担当 CHK. 査閲 APPD.	質量 (MASS)		
承認 APPD.	承認 APPD.	レセプタクル		

DOF-0-212F(05.08)



Revision table with columns: REV. NO., DATE, CON. NO., DESCRIPTION, DR., CHK., APPD., and initials.

INSERT ARRANGEMENT
インサート配列

Table showing contact arrangements for 1 to 5 pins, including diagrams and specifications.

Table showing contact arrangements for 6 to 10 pins, including diagrams and specifications.

Table showing contact arrangements for 11 to 24 pins, including diagrams and specifications.

Table showing contact arrangements for 26 to 100 pins, including diagrams and specifications.

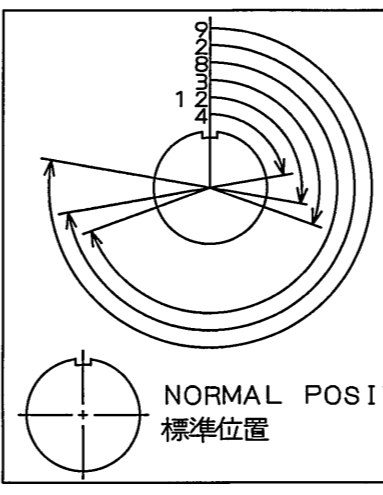
NOTE 1. THIS DRAWING SHOWS INSERT ARRANGEMENT, INSERT ROTATION POSITION, AND SPECIFICATION FOR N/MS CONNECTOR.

INSERT ROTATED POSITION (ANGLE)
インサート回転位置(角度)

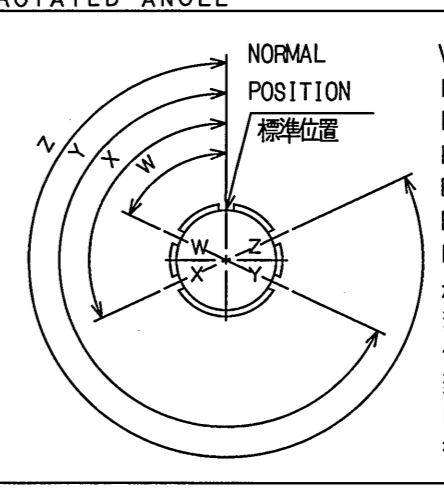
Large table detailing rotated angles for various contact sizes and arrangements, including columns for W, X, Y, Z and rotated angle.

SPECIFICATION 仕様

Technical specification table covering rated current, voltage, insulation resistance, and applicable wire sizes.



(※1.2) ONLY FOR CONTACT ARRANGEMENT 32A10, CHANGED POSITION OF INSERT ROTATED AGAINST GUIDE KEY IS SHOWN.



W, X, Y, AND Z IS DESIGNATED TO PRESENT THE ROTATED ANGLE OF SHELL GUIDE KEY AGAINST NORMAL POSITION.

Final specification table with columns for description, quantity, material, and drawing details.

Mouser Electronics

Authorized Distributor

Click to View Pricing, Inventory, Delivery & Lifecycle Information:

JAE Electronics:

[N/MS3102A18-1P](#) [N/MS3102A18-1S](#) [N/MS3102A14S-7P](#) [N/MS3102A20-29P](#) [N/MS3102A14S-2P](#) [N/MS3102A18-10P](#) [N/MS3102A28-11P](#) [N/MS3102A18-10S](#)