



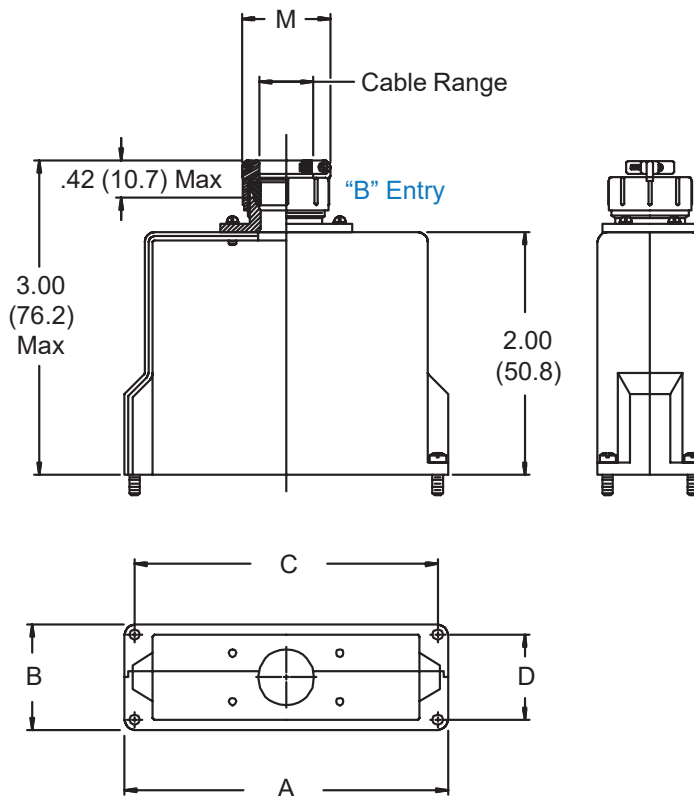
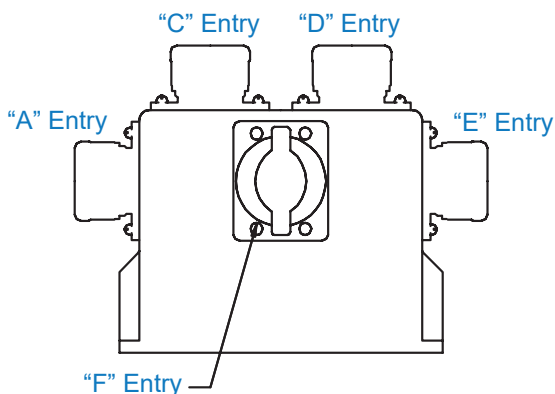
# 501-001 EMI/RFI Conical-Ring Type Split Backshell for MIL-DTL-83733 Connectors

**501-001 M B A06 B03 E05 F04**

Basic Part No. \_\_\_\_\_  
 Finish (Table III) \_\_\_\_\_  
 Shell Size (Table I) \_\_\_\_\_

Entry Location (A, B, C, D, E, F)  
 and Dash No. (Table II) - See Note 2

1. Metric dimensions (mm) are indicated in parentheses.
2. When entry options "C" and/or "D" are selected, entry option "B" cannot be selected. When "C" and "D" are selected on shell size A, the maximum dash number available is 02.
3. Material/Finish:  
 Backshell, Adapter, Clamp,  
 Ferrule = Al Alloy/See Table III  
 Hardware = SST/Passivate



Shell Size	A Dim	B Dim	C ± .005 (.1)	D ± .005 (.1)	Max Entry
A	2.095 (53.2)	1.000 (25.4)	1.895 (48.1)	.815 (20.7)	.875 (22.2)
B	3.395 (86.2)	1.000 (25.4)	3.195 (81.2)	.815 (20.7)	.875 (22.2)

Dash No.	M Max	Cable Range	
		Min	Max
01	.781 (19.8)	.062 (1.6)	.125 (3.2)
02	.968 (24.6)	.125 (3.2)	.250 (6.4)
03	1.046 (26.6)	.250 (6.4)	.375 (9.5)
04	1.156 (29.4)	.312 (7.9)	.500 (12.7)
05	1.218 (30.9)	.437 (11.1)	.625 (15.9)
06	1.343 (34.1)	.562 (14.3)	.750 (19.1)
07	1.468 (37.3)	.687 (17.4)	.875 (22.2)

Symbol	Finish
B	Cadmium Plate, Olive Drab
M	Electroless Nickel
N	Cadmium Plate, Olive Drab, Over Nickel
NF	Cadmium Plate, Olive Drab, Over Electroless Nickel (500 Hour Salt Spray)

**CONSULT FACTORY FOR OTHER AVAILABLE FINISHES**

# Mouser Electronics

Authorized Distributor

Click to View Pricing, Inventory, Delivery & Lifecycle Information:

[Glenair:](#)

[501-001MAB07](#)