

5

4

3

2

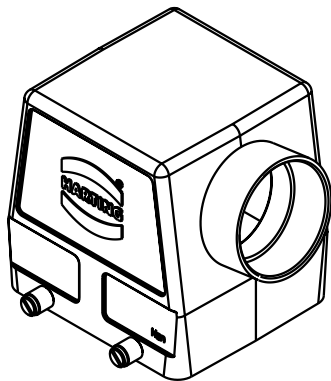
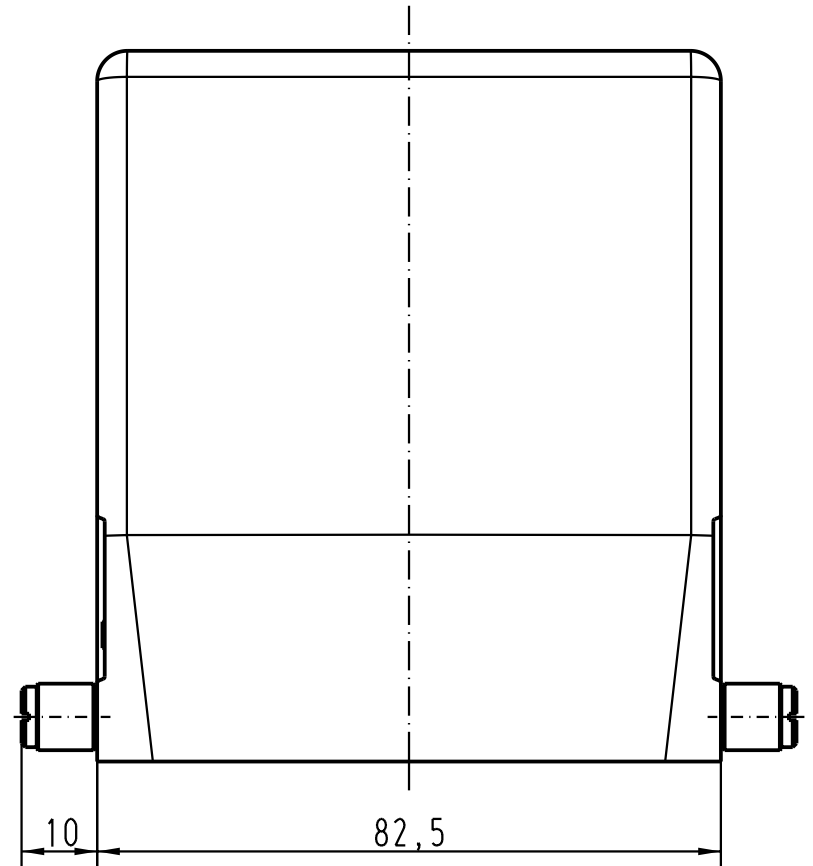
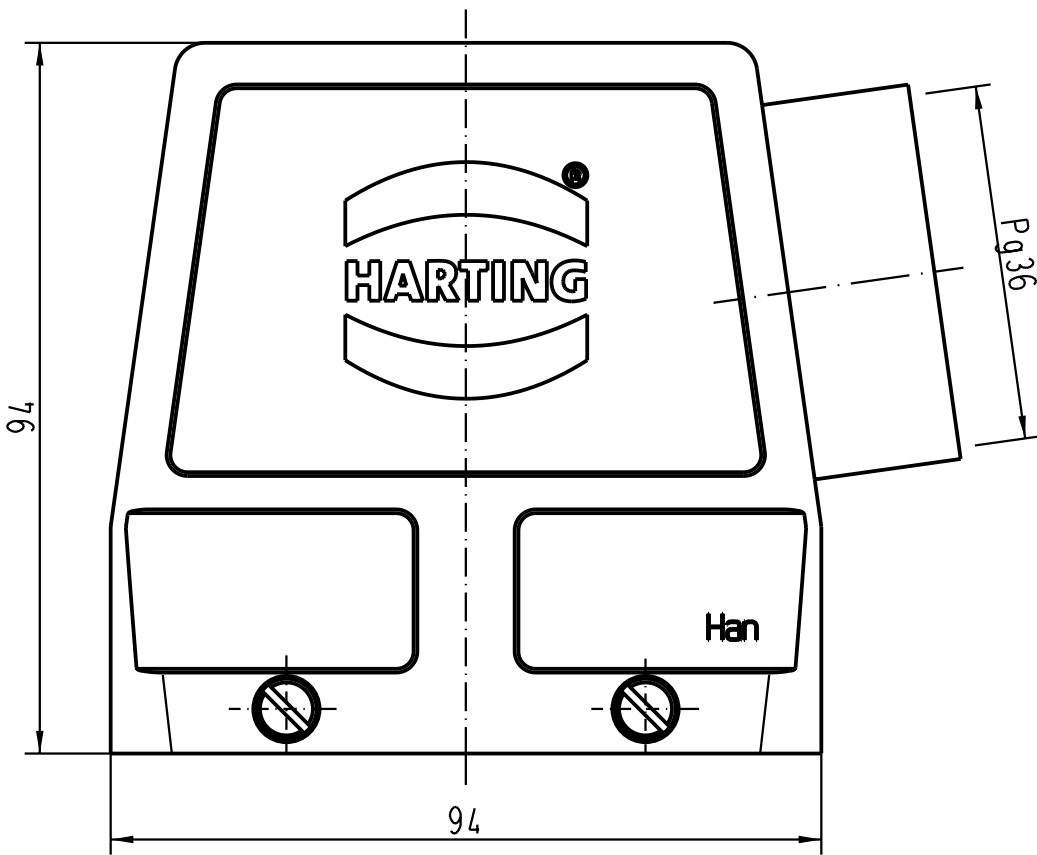
1



D

C

B

A



| | | | | | | | | |
|---|----------|------|-------------------|----------|------|---|--|---|
|  All Dimensions in mm Original Size DIN A 4 | | | Techn. Character. | | | Nicht tolerierte Masse/ Free size tolerances | | |
| | | | | Dat. | Name | Massestab/ Scale 1:1 | | Han 32B-gs-36 Tüllengehäuse/ hoods |
| | | | Detail. | 03.12.99 | TH | | | |
| | | | Insp. | | SDT | | | |
| | | | Stand. | | | | | |
| 29337 | 15.05.01 | ROH. | HARTING KGaA | | |  | | TB 09 30 032 0522 |
| 27650 | | | D-32339 ESPELKAMP | | | | | |
| Mod. | Dat. | Name | | | | Sub. f. TB 09 30 032 052. v. 05.02.93 | | Blatt/ page |