



# Cable to Board (Standard Footprint)

.050"  
9 thru 100 Contacts  
Rugged Cable

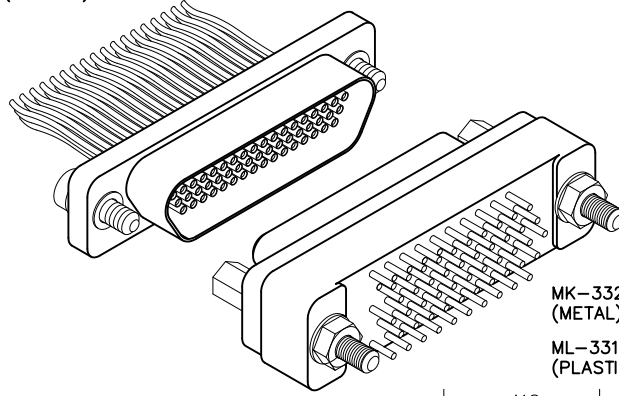
**MM, MN**

Rugged Board Mount

**MK, ML**

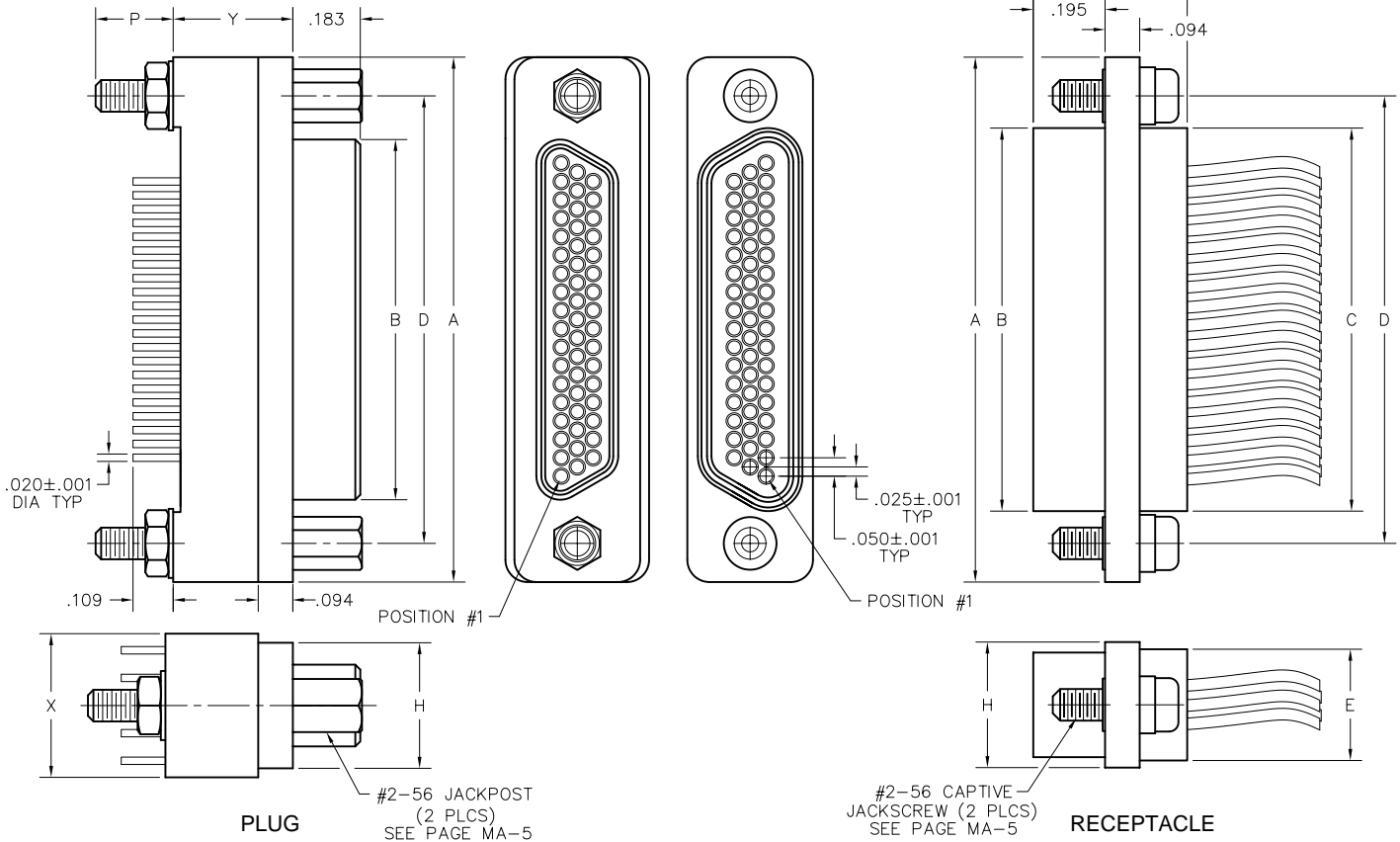
MM-322-051-261-45WP  
(METAL)

MN-321-051-261-45WP  
(PLASTIC)



MK-332-051-125-2200  
(METAL)

ML-331-051-125-2200  
(PLASTIC)



SIZE	CONTACT ROWS	DIMENSIONS										HARDWARE		
		A	B		C	D	E	H	P	X	Y		Z***	
			PLUG MAX	RCPT MAX			POTTING WELL MAX							
9	2	.775	.334	.400	.390	.565	.270	.298	.210	.298	.280	.390	#2-56 UNC THD (#2-56 CLEARANCE OR #2-56 UNC THREADED INSERT)	
15		.925	.484	.550	.540	.715								.540
21		1.075	.634	.700	.690	.865								.690
25		1.175	.734	.800	.790	.965								.780
31		1.325	.884	.950	.940	1.115								.930
37	1.475	1.034	1.100	1.090	1.265	.330**	1.080							
51	3	1.425	.984	1.050	1.040	1.215	.310	.341	.219	.390	.325	1.046	#4-40 UNC THD (#4-40 CLEARANCE OR #4-40 UNC THREADED INSERT)	
69		1.725	1.284	1.350	1.340	1.515								1.346
100		2.160	1.384	1.508	1.432	1.800								1.530

\* = 69 POSITION CONNECTORS ARE AVAILABLE IN METAL ONLY.  
 \*\* = 37 POSITION WITH TURNING HARDWARE "Y" DIMENSION IS .280.  
 \*\*\* = "Z" DIMENSION FOR TURNING JACKSCREW ONLY

Call (972) 931-3200 Fax (972) 931-9305 www.AirBorn.com

**PLUG:** MK-332-051-125-2200  
**RECEPTACLE:** MM-322-051-261-45WP  
**PLUG:** ML-331-051-125-2200  
**RECEPTACLE:** MN-321-051-261-45WP

PLUG		RECEPTACLE	
<b>SERIES</b>			
MK .050" Rugged Metal PC Board Mount Connector	MM .050" Rugged Metal I/O Connector	ML .050" Rugged Plastic PC Board Mount Connector	MN .050" Rugged Plastic I/O Connector
(MK & ML mate with MK, ML, MM, MN receptacles)		(MM & MN mate with MK, ML, MM, MN plugs)	
<b>BODY</b>			
2 2-Row (Sizes 9 thru 37)	2 2-Row (Sizes 9 thru 37)	3 3-Row (Size 51 & 69***)	3 3-Row (Size 51 & 69***)
4 4-Row (Size 100)	4 4-Row (Size 100)		
<b>BODY STYLE:</b>		<b>BODY STYLE:</b>	
3 Plug, straight, standard footprint	2 Receptacle, straight, with ears		
<b>BODY MATERIAL:</b>		<b>BODY MATERIAL:</b>	
1 Polyphenylene Sulfide (ML only)	1 Polyphenylene Sulfide (MN only)	2 Polyphenylene Sulfide with electroless nickel shell	2 Polyphenylene Sulfide with electroless nickel shell
3 Polyphenylene Sulfide with electrodeposited cadmium shell <input checked="" type="checkbox"/>	3 Polyphenylene Sulfide with electrodeposited cadmium shell <input checked="" type="checkbox"/>	4 Polyphenylene Sulfide with hard anodized black shell	4 Polyphenylene Sulfide with hard anodized black shell
5 Polyphenylene Sulfide with stainless steel shell	5 Polyphenylene Sulfide with stainless steel shell		
<b>SIZE</b>			
XXX 009, 015, 021, 025, 031, 037, 051, 069***, 100		XXX 009, 015, 021, 025, 031, 037, 051, 069***, 100	
<b>CONTACTS</b>			
<b>TYPE CONTACTS/TERMINATIONS:</b>		<b>TYPE CONTACTS/TERMINATIONS:</b>	
12 Pin, straight, PCB leads, .109"	21 Socket, straight, solder cup	24 Socket, straight, .500" pigtails (.018 dia)	25 Socket, straight, 1.000" pigtails (.018 dia)
13 Pin, straight, PCB leads, .140"	26 Socket, straight, crimped wire		
14 Pin, straight, PCB leads, .172"			
<b>PLATING OPTIONS:</b>		<b>PLATING OPTIONS:</b>	
3 50 μ" Au contacts; 10 μ" Au terminations	1 50 μ" Au contacts (crimp wire)	3 50 μ" Au contacts; 10 μ" Au terminations (solder cup, pigtail)	5 50 μ" Au contacts; Sn/Pb alloy terminations (pigtail) <input checked="" type="checkbox"/>
5 50 μ" Au contacts; Sn/Pb alloy terminations <input checked="" type="checkbox"/>	7 50 μ" Au contacts; SAC305 terminations	7 50 μ" Au contacts; SAC305 terminations (pigtail)	
<b>HARDWARE</b>			
<b>STYLE OF HARDWARE:</b>		<b>STYLE OF HARDWARE:</b>	
00 None	00 None	22 Two fixed jacknut assemblies (62*)	22 Two fixed jacknut assemblies (62*)
22 Two fixed jacknut assemblies (62*)	41 Two turning jackscrews, allen head, retaining ring**** (81*)	41 Two turning jackscrews, allen head, retaining ring (81*)	42 Two long turning jackscrews, allen head, retaining ring (82*)
41 Two turning jackscrews, allen head, retaining ring**** (81*)	43 Two turning jackscrews, slot head, retaining ring (83*)	44 Two long turning jackscrews, slot head, retaining ring (84*)	45 Two turning jackscrews, allen head, captivated** (85*)
99 Keying hardware, see options below (Body material 2, 3 and 4 only)	99 Keying hardware, see options below (Body material 2, 3 and 4 only)		
<b>POLARIZATION / WIRING:</b>		<b>POLARIZATION / WIRING</b>	
00 None	00 None	XX For wiring codes, see page MA-3 & MA-4	
<b>OPTIONS</b>			
KPXX Two fixed jacknuts. See page MA-6 for keying options (KN*)	KSXX Two turning jackscrews and interfacial sealing gasket. See page MA-6 for keying options (KJ*)	0B7 Threaded inserts	900 Interfacial sealing gasket

\* = Use numbers or letters in parenthesis when ordering size 100.

\*\*\* = 69 position connectors are available in metal only.

\*\* = Captive hardware is factory installed and non-removable.

\*\*\*\* = Connector body has no mounting holes.

= Option not RoHS compliant

# Mouser Electronics

Authorized Distributor

Click to View Pricing, Inventory, Delivery & Lifecycle Information:

## AirBorn:

[MK-232-015-135-2200](#) [MK-232-037-135-2200](#) [MK-232-021-135-2200](#) [MK-332-051-135-2200](#) [MK-332-069-135-4100](#)

[MK-232-015-135-4100](#) [MK-232-021-135-4100](#) [MK-232-009-135-4100](#) [MK-232-031-135-4100](#) [MK-332-069-135-2200](#)

[MK-232-031-135-2200](#) [MK-232-025-135-4100](#) [MK-232-009-135-2200](#) [MK-332-051-135-4100](#) [MK-232-037-135-4100](#)

[MK-232-025-135-2200](#)