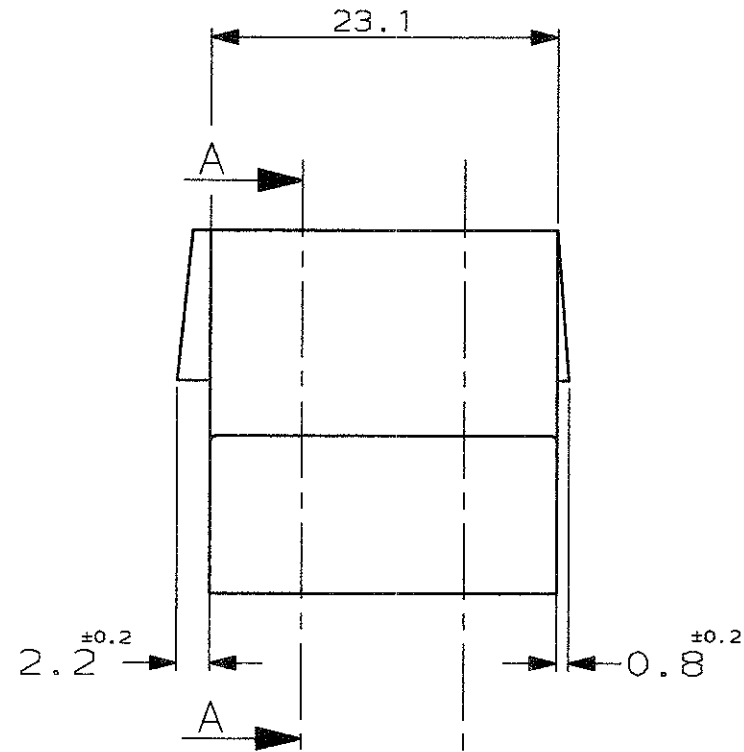
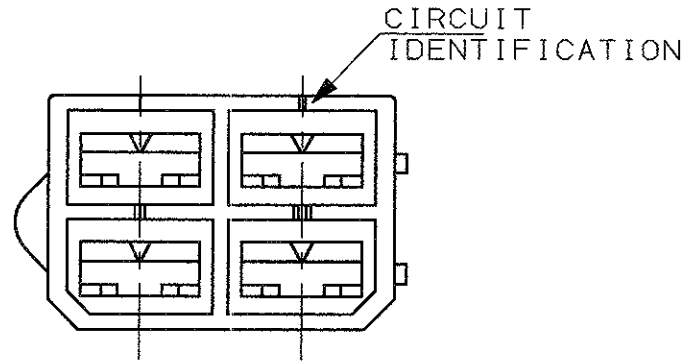


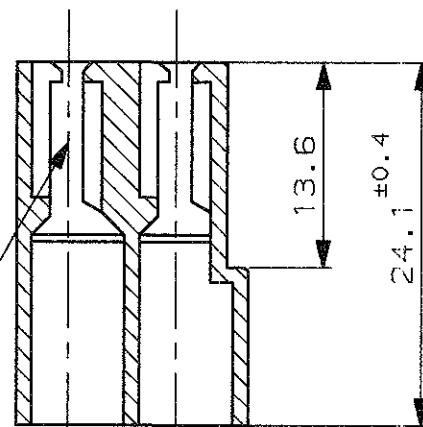
SCALA NON IMPEGNATIVA
(DO NOT SCALE)
DIMENSIONI IN mm
(DIMENSIONS IN mm)

METRIC

PROIEZIONE EUROPEA
(EUROPEAN PROJECTION)



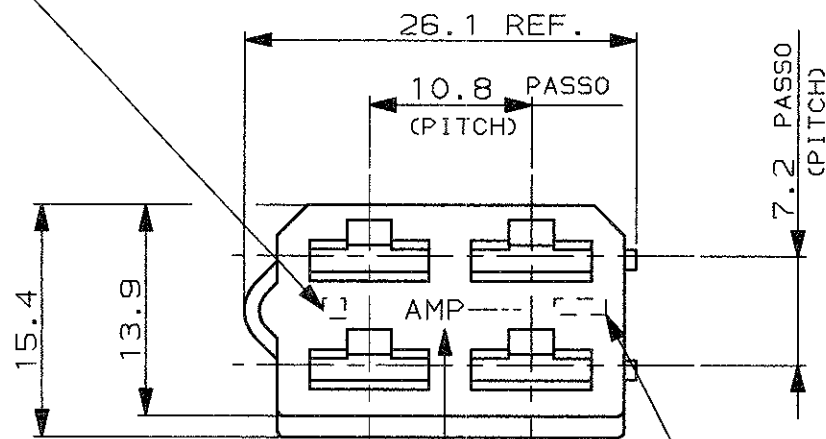
SEZIONE A-A
(SECTION A-A)



TIPICA CAVITA' PER TERMINALE AMP
FASTIN-FASTON SR. 6.35mm.
(TYPICAL CAVITY FOR AMP
FASTIN-FASTON .250 SR.)

- 1 PRODOTTO SOLO PER AMP GIAPPONE.
(RESTRICTED FOR AMP JAPAN).
- 2 NON PRODOTTO DALL'AMP ITALIA.
(NOT PRODUCED BY AMP ITALY).
- 3 OBSOLETE PARTS: OBSOLETE CIS STREAMLINING
PER D.RENAUD/D.SINISI

NUMERO DI IMPRONTA STAMPO, FACOLTATIVO
(MOULD CAVITY IDENTIFICATION NO., OPTIONAL)



MARCHIO DI FABBRICA
(AMP TRADE MARK)

CODICE AMP, FACOLTATIVO
(AMP PART NUMBER, OPTIONAL)

OBSOLETE	1	NEUTRO (CLEAR)	PA 6.6 (PA 6.6 UNFILLED)	9-180900-0
	2	NERO (BLACK)	PA 6.6 UL 94 V-0 (PA 6.6 F.R. 94 V-0)	5-180900-0
	2	NERO (BLACK)	PA 6.6 (PA 6.6 UNFILLED)	4-180900-0
	2	NERO (BLACK)	PA 6.6 (PA 6.6 UNFILLED)	3-180900-0
OBSOLETE	2	ROSSO (RED)	PP	2-180900-0
	2	NEUTRO (CLEAR)	ABS	1-180900-0
	3	GRIGIO (GRAY)		180900-7
OBSOLETE		NERO (BLACK)	PA 6.6 (PA 6.6 UNFILLED)	180900-5
	2	VERDE (GREEN)		180900-2
		ROSSO (RED)		180900-1
		NEUTRO (CLEAR)		180900-0
	NOTE (NOTES)	COLORE (COLOUR)	MATERIALE (MATERIAL)	NUMERO (PART NUMBER)

CUSTOMER DWG.
FOR REFERENCE ONLY

DISEGNO PER CLIENTE
SOLO PER RIFERIMENTO

THIS DRAWING IS UNPUBLISHED. RELEASE FOR PUBLICATION 19

TOLLERANZE, SE NON
DIVERSAMENTE SPECIFICATO
(TOLERANCES, UNLESS
OTHERWISE SPECIFIED)

DIAM. ISOLANTE
(INS. DIA. RANGE)

RANGO FILO
(WIRE RANGE)

SCALA
(SCALE)

±0.3

2:1

ANGOLI
(ANGLES)

± 2°

STE TE Connectivity

DIS. A. MORETTI
(DR.) 1 FEB '80

DESCRIZIONE
(DESCRIPTION)
4 WAY FASTIN-FASTON RECEPTACLE
HOUSING .250 Sr.

AZ4	REVISED PER ECO-11-005140	RK	01 APR 11	CONT. R. ROGGERO (CHK) 4 FEB '80
REV. (REV. LTR.)	REVISIONI (REVISION RECORD)	DIS. (DR)	DATA (DATE)	APP. (APP.)

LOC.	SIZE	NUMERO (DWG NO)	REV.	FOGLIO (SHEET)
I	A3	C-180900	AZ4	1 DI 1

DISTRIBUZIONE
(PRINT DIST.)

Mouser Electronics

Authorized Distributor

Click to View Pricing, Inventory, Delivery & Lifecycle Information:

[TE Connectivity:](#)

[180900](#)