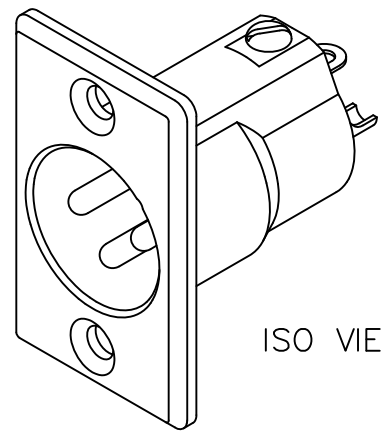


PANEL CUT OUT

AC*MPNZ	INSERT No.	SHELL FINISH
AC3MPNZ	156-4066-*00	NICKEL PLATED
AC3MMPNZ	156-4068-*00	NICKEL PLATED
AC4MPNZ	156-4069-*00	NICKEL PLATED
AC5MPNZ	156-4070-*00	NICKEL PLATED
AC6AMPNZ	156-4071-*00	NICKEL PLATED
AC7MPNZ	156-4072-*00	NICKEL PLATED
AC3MPNZB	156-4066-*00	MATT BLACK
AC3MMPNZB	156-4068-*00	MATT BLACK
AC4MPNZB	156-4069-*00	MATT BLACK
AC5MPNZB	156-4070-*00	MATT BLACK
AC6AMPNZB	156-4071-*00	MATT BLACK
AC7MPNZB	156-4072-*00	MATT BLACK



ISO VIEW

NOTE:

1. ADD -AU TO PN FOR GOLD PLATED CONTACTS FOR EXAMPLE AC3MMPNZB-AU
2. ADD BULK TO THE PN FOR BULK PACKING. FOR EXAMPLE AC3MMPNZB-AU BULK

REV.	CHANGE DETAILS	BY	DATE	CHG/No
4	ADD PN FOR MATT BLACK SHELL FINISH ADD NOTE TO ADD -AU FOR GOLD PLATED CONTACTS	MH	14-06-16	9351
3	UPDATE TO AMPHENOL TITLE BLOCK & LOGO ADD SHEET 2 OF 2 FOR CUSTOMER DRAWING	L.V	02-10-01	7870
2	UPDATE TO AMPHENOL TITLE BLOCK & LOGO INCLUDE THE CONNECTOR PART & INSERT NO.	M.N.H.	14-06-01	7816
1	FIRST ISSUE	R.D	03-10-95	----

UNLESS OTHERWISE SPECIFIED TOLERANCE TO BE		THIS DOCUMENT IS THE PROPERTY OF AMPHENOL AUSTRALIA PTY. LTD.. NO PART THEREOF MAY BE REPRODUCED AND USED WITHOUT THE PRIOR WRITTEN CONSENT OF THE OWNER				TITLE:		Amphenol	
LINEAR	ANGULAR	CAD FILE: 00820104	DRN: R.D	DATE: 03-10-95	AC*MPNZ PANEL MOUNT CUSTOMER DRAWING		Amphenol Australia Pty Ltd, 22 Industry Blvd, Corrum Downs, Vic 3201		
X ± 1	X' ± 1°	MATL: REFER TO COMPONENT	CKD: MH	DATE: 14-06-16	DRAWING NO.		SHEET		
X.X ± 0.5	X'X' ± 30'	DO NOT SCALE	FINISH: REFER TO COMPONENT	DATE: 14-06-16	128460-0000		2 OF 2		
X.XX ± 0.10	X'X'X' ± 15'	DIMENSIONS IN MILLIMETRES		THIRD ANGLE PROJECTION	SCALE: 2:1 UOS	PART No: 128460-0000		SIZE: A3	

Mouser Electronics

Authorized Distributor

Click to View Pricing, Inventory, Delivery & Lifecycle Information:

[Amphenol:](#)

[AC3MPNZ](#)