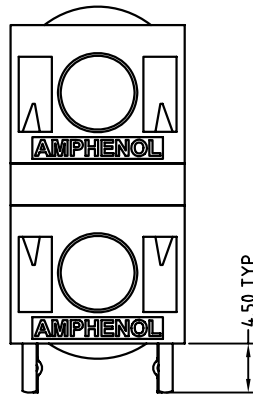
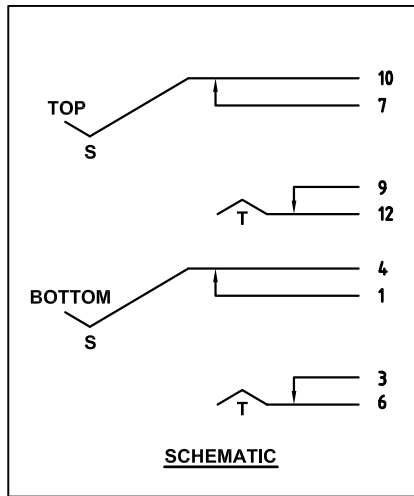
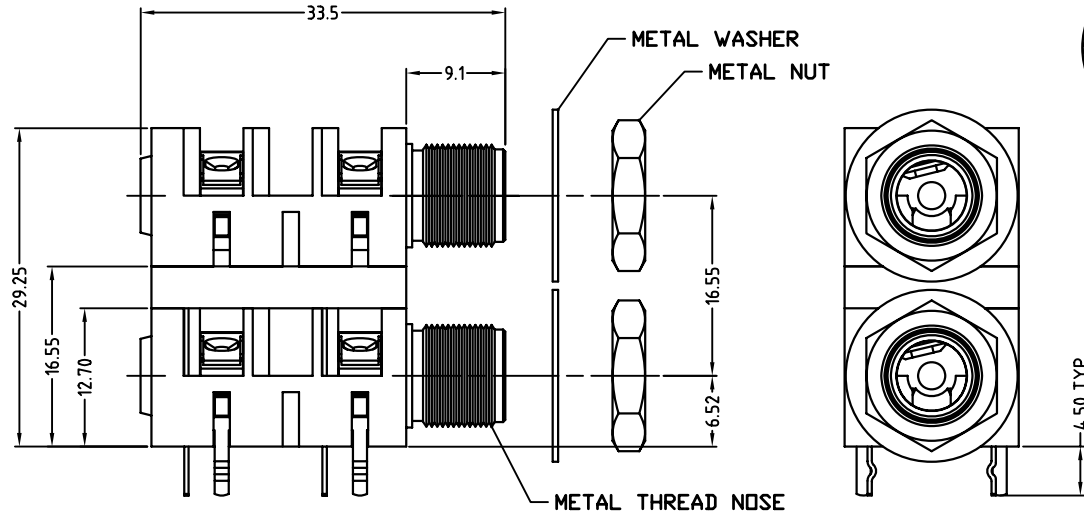


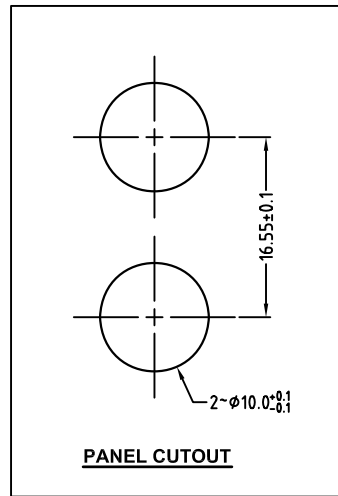
ISO VIEW  
SCALE 1:1



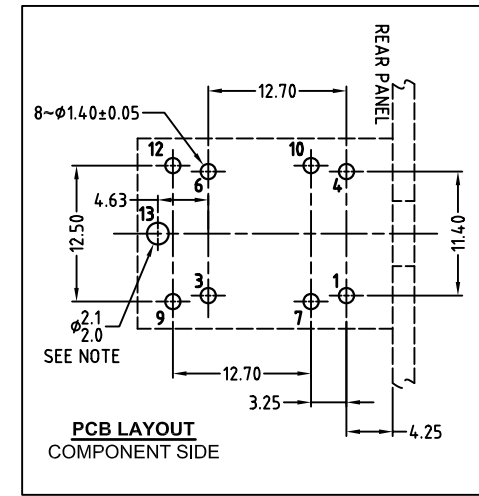
4.50 TYP



SCHEMATIC



PANEL CUTOUT



PCB LAYOUT  
COMPONENT SIDE

NOTE: OPTIONAL MOUNTING HOLE FOR SELF-TAPPING M2 SCREW

CATALOGUE P/N	NUT OPTIONS
ACJM-LHDCM	NO NUT & WASHER
ACJM-MHDCM	METAL NUT & WASHER INCLUDED

UNLESS OTHERWISE SPECIFIED TOLERANCE TO BE	THIS DOCUMENT IS THE PROPERTY OF AMPHENOL AUSTRALIA PTY. LTD. NO PART THEREOF MAY BE REPRODUCED AND USED WITHOUT THE PRIOR WRITTEN CONSENT OF THE OWNER		0	FIRST ISSUE	M.H	11-03-10	----
	LINEAR	ANGULAR	REV.	CHANGE DETAILS	BY	DATE	CHG/No
X ± 0.5 X.X ± 0.2 X.XX ± 0.1	X° ± 1° X°X' ± 30' X°X'X" ± 15'	CAD FILE: 55010660001110	DRN: M.H	DATE: 11-03-10	TITLE:		
BREAK ALL SHARP EDGES AND REMOVE ALL BURRS	MATL: REFER TO COMPONENT	CKD: M.N.H	DATE: 11-03-10	1/4 PHONE MONO COMPACT DUAL JACK METAL THREAD CUSTOMER DRAWING			
DO NOT SCALE	FINISH: REFER TO COMPONENT	APP'D: P.M	DATE: 11-03-10	DRAWING NO. SHEET			
DIMENSIONS IN MILLIMETRES	THIRD ANGLE PROJECTION	SCALE: 2:1 UOS	PART No: REFER TO CHART	SIZE: A3	55010660-001-2		

**Amphenol**  
Amphenol Australia Pty.Ltd, 2 Fireweys Blvd, Keysborough, Vic3173  
DRAWING NO. SHEET  
2 OF 2

# Mouser Electronics

Authorized Distributor

Click to View Pricing, Inventory, Delivery & Lifecycle Information:

[Amphenol:](#)

[ACJM-MHDCM](#)