

THIS DRAWING IS UNPUBLISHED.

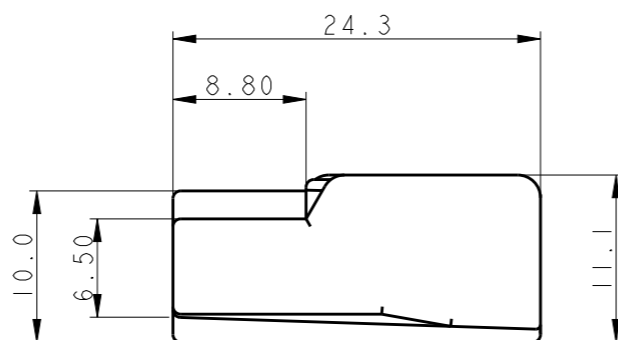
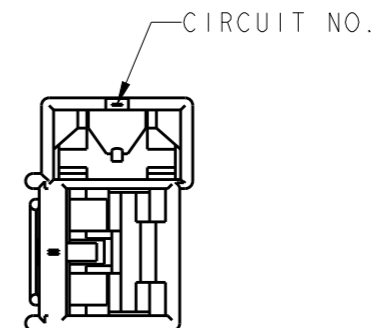
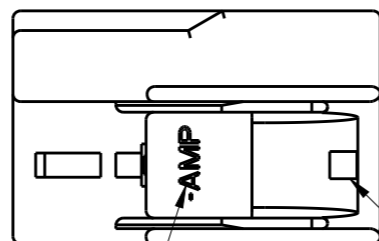
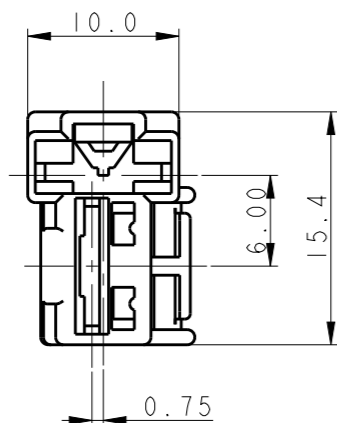
RELEASED FOR PUBLICATION

20

© COPYRIGHT 20 BY - ALL RIGHTS RESERVED.

REVISIONS

P	LTR	DESCRIPTION	DATE	DWN	APVD
	A1	REVISED PER ECR-16-012270	26AUG2016	SC	BW



NOTE:

1. PRDDUCT SPEC: 108-5164
2. APPLICATION SPEC: 114-5052, 114-5060
3. CUSTOMER MANUAL NO. CM-177J
4. APPLIED CONTACT PN: 170032, 170452, 170454, 170456

BLUE	172434-6
BLACK	172434-2
NATURAL	172434-1
COLOR	P/N

THIS DRAWING IS A CONTROLLED DOCUMENT.

DIMENSIONS: mm	
MATERIAL 66 NYLON	

TOLERANCES UNLESS OTHERWISE SPECIFIED:	
0 PLC	±-
1 PLC	±0.25
2 PLC	±0.2
3 PLC	±-
4 PLC	±-
ANGLES	±3°
FINISH	-

DWN	SC KIM	26AUG2016
CHK	BH CHO	26AUG2016
APVD	BW KANG	26AUG2016
PRODUCT SPEC	-	
APPLICATION SPEC	-	
WEIGHT	-	

<b>STE</b> TE Connectivity			
NAME 250 SERIES AUTOMOTIVE LOCK 2POS. COMBINATION HOUSING (T-TYPE)			
SIZE	CAGE CODE	DRAWING NO	RESTRICTED TO
A3	00779	172434	-

CUSTOMER DRAWING	SCALE 2:1	SHEET 1 OF 1	REV A1
------------------	-----------	--------------	--------

# Mouser Electronics

Authorized Distributor

Click to View Pricing, Inventory, Delivery & Lifecycle Information:

[TE Connectivity:](#)

[172434-2](#)