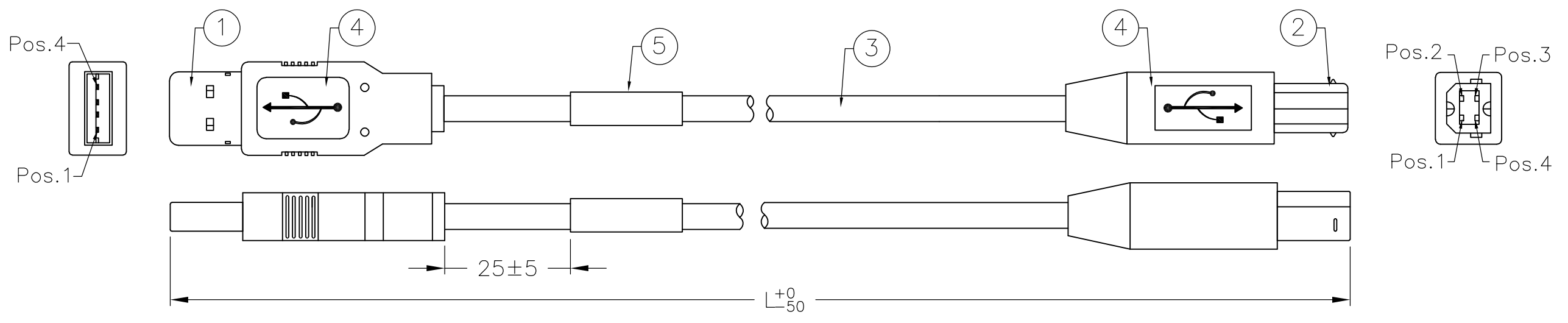


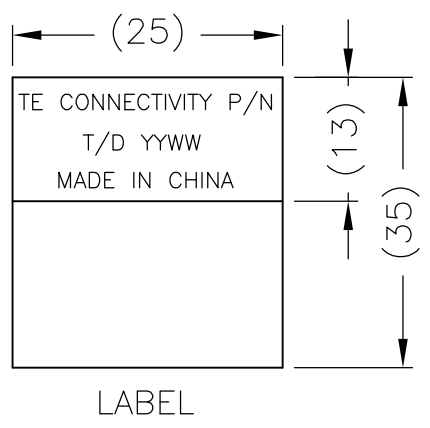
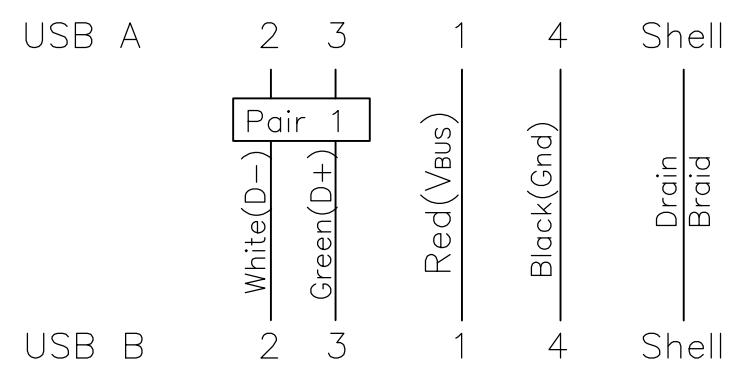
THIS DRAWING IS UNPUBLISHED. RELEASED FOR PUBLICATION
 © COPYRIGHT - By - ALL RIGHTS RESERVED.

LOC	DIST	REVISIONS					
GP	00	P	LTR	DESCRIPTION	DATE	DWN	APVD
			D2	REVISED PER ECO-14-001080	23Jan2014	H.M	M.L

Tooling Drawing NO.
 USB A: TR00662
 USB B: TR00664



PIN ASSIGNMENT :



PART NO.	1487596-1	1487596-2	1487596-3	1487596-4
LENGTH(L)	2000	1500	1829	1000

AR	AR	AR	AR	MR	COPPER FOIL, W: 5MM	6
1	1	1	1	PC	LABEL, 25x35mm, White 25x13mm	5
AR	AR	AR	AR	KG	Overmold PVC, 40P, Color: Black(BK01)	4
AR	AR	AR	AR	MR	USB 2.0 Cable 28AWG*1P+24AWG*2C+Al/Mylar +Drain+Braid, Color: Black(BK01).	3
1	1	1	1	EA	USB 4Pin Connector Contacts: Gold 30U Plated, Shell: Nickel Plated, Housing UL94V-0 B Type.	2
1	1	1	1	EA	USB 4Pin Connector Contacts: Gold 30U Plated, Shell: Nickel Plated, Housing UL94V-0 A Type.	1
-4	-3	-2	-1	U/M	DESCRIPTION	ITEM

- NOTES:
- TESTED FOR CONTINUITY, SHORTS AND OPENS, HI-POT 630V FOR 10MS.
 - CABLE ASSEMBLY MEETS USB 2.0 STANDARDS.
 - EXPOSED CABLE BRAID IS NOT PERMISSIBLE BEYOND OVERMOLD.
 - THE FINAL CABLE ASSEMBLY MAXIMUM LENGTH NOT TO EXCEED 2700MM PER USB SPECIFICATIONS.
 - MEETS REQUIREMENTS OF EU DIRECTIVE 2002/95/EC

THIS DRAWING IS A CONTROLLED DOCUMENT.		DWN	BOVEY LIU	25/FEB/02	STE TE Connectivity		
DIMENSIONS: mm		CHK	-	-			
TOLERANCES UNLESS OTHERWISE SPECIFIED:		APVD	F.D. McCORKEL	15/MAR/02	NAME		
0 PLC ± -		PRODUCT SPEC		CABLE ASSEMBLY, USB A TYPE TO USB B TYPE			
1 PLC ± -		APPLICATION SPEC		-			
2 PLC ± -		WEIGHT		-			
3 PLC ± -		SIZE		A3	CAGE CODE	00779	
4 PLC ± -		DRAWING NO		C-1487596			
ANGLES ± -		RESTRICTED TO		-			
FINISH		CUSTOMER DRAWING		SCALE N.T.S			
-		-		SHEET 1 OF 1			
-		-		REV D2			

Mouser Electronics

Authorized Distributor

Click to View Pricing, Inventory, Delivery & Lifecycle Information:

[TE Connectivity:](#)

[1487596-2](#)