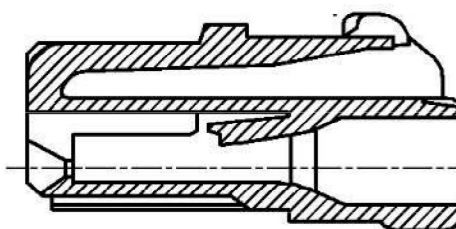
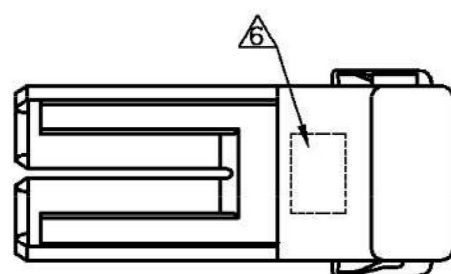
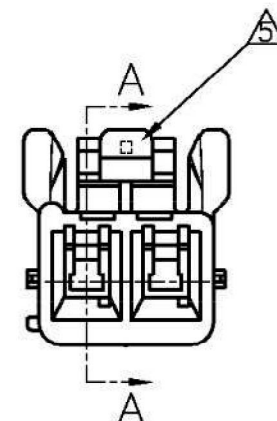
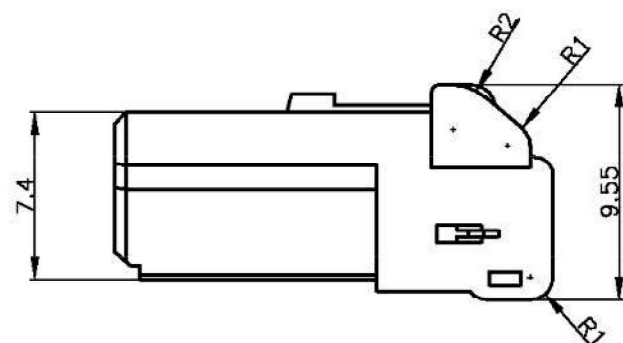
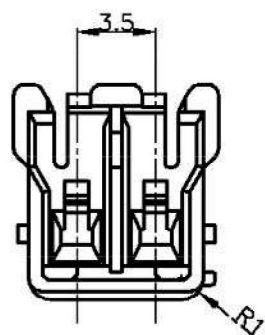
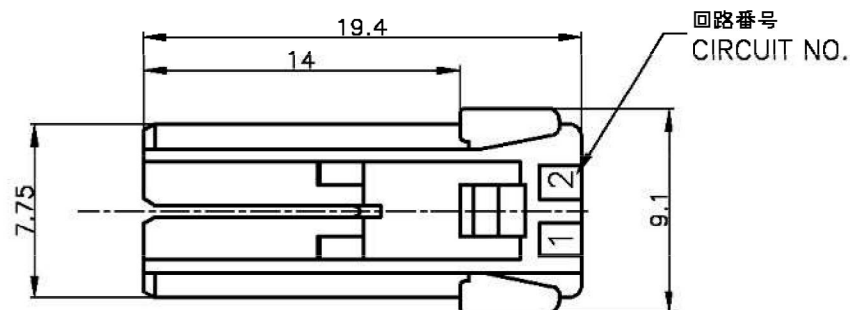


LOC	DIST	REVISIONS					
		P	LTR	DESCRIPTION	DATE	DWN	APVD
J	—	B1		REVISED PER ECR-16-005943	25APR'16	SC	BW

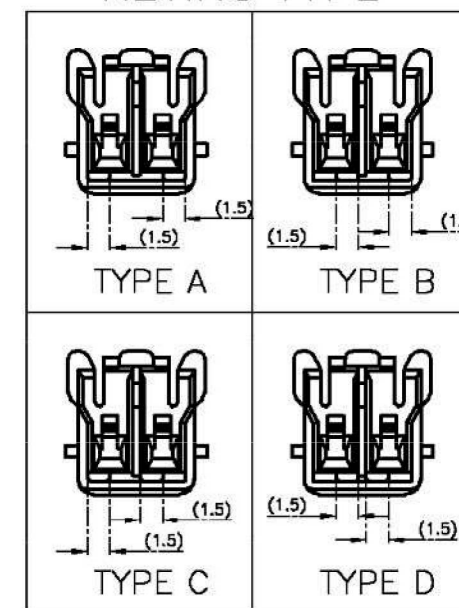


断面A-A
SECT A-A

TABLE 1

	生産場所 (MANUFACTURING LOCATION)	
	韓国 (KOREA)	中国 (CHINA)
5	CAVITY MARK	
6	TRADE MARK	TRADE MARK CAVITY MARK+ •

KEYING TYPE



- 注) 1.一般公差:±0.25
 5 材料: 66ナイロン ガラス無(UL94V-0)
 3 かん合相手製品型番
 キャップハウジング: TABLE参照のこと
 リセコンタクト: 1565079-1,1612334-1
 4. 適応プレート型番: 1565089-1
 5 表1参照
 6 表1参照

- NOTES)
 1.GENERAL TOLERANCE:±0.25
 5 MATERIAL : PA66 (UL94 V-0)
 3 MATING CONN. P/N
 CAP HOUSING:SEE TABLE
 REC CONTACT ;1565079-1,1612334-1
 4. APPLICABLE PLATE P/N :1565089-1
 5 SEE TABLE 1
 6 SEE TABLE 1
 7 MATERIAL : PA66 (UL94 V-0), PARTS COMPLY WITH
 GLOW WIRE REQUIREMENTS (GWT) PER IEC 60335-1
 8 PRELIMINARY P/N

THIS DRAWING IS A CONTROLLED DOCUMENT.		DWN A.OISHI 30MAY'02	Tyco Electronics Tyco Electronics AMP K.K. Kawasaki, Japan	
DIMENSIONS: 単位: 耗 mm		CHK M.SHINDO 30MAY'02	NAME 名称 GRACE INERTIA CONNECTOR 3.5 2POS PLUG HOUSING	
TOLERANCES UNLESS OTHERWISE SPECIFIED: 一般公差		APVD M.SHINDO 30MAY'02	SIZE A3	CAGE CODE 00779
MATERIAL 材料 2 7		PRODUCT SPEC 製品規格 108-5810	DRAWING NO 番号 1565081	RESTRICTED TO —
FINISH 仕上		APPLICATION SPEC 取付適用規格 114-5306	SCALE 尺度 NONE	SHEET 1 OF 1
CUSTOMER DRAWING		WEIGHT	REV B1	

4

3

2

1

THIS DRAWING IS UNPUBLISHED.

RELEASED FOR PUBLICATION

REVISIONS

© COPYRIGHT - By -

ALL RIGHTS RESERVED.

P	LTR	DESCRIPTION	DATE	DWN	APVD
-	-	SEE SHEET 1 OF 2	-	-	-

D

D

C

C

B

B

A

A

7	1-1565085-6	A	BLACK	1-1565081-6
	1-1565085-5	A	GREEN	1-1565081-5 8
	3-1565085-5	D	YELLOW	3-1565081-5
	2-1565085-4	C	BLUE	2-1565081-4
	1-1565085-3	B	RED	1-1565081-3
	1-1565085-1	A	NATURAL	1-1565081-1
2	1565085-6	A	BLACK	1565081-6
	1565085-5	A	GREEN	1565081-5
	3-1565085-4	D	YELLOW	3-1565081-4
	2-1565085-3	C	BLUE	2-1565081-3
	1-1565085-2	B	RED	1-1565081-2
	1565085-1	A	NATURAL	1565081-1
MATERIAL	3 MATING HSG P/N	KEYING TYPE	COLOR	P/N

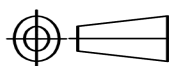
THIS DRAWING IS A CONTROLLED DOCUMENT.

DWN 22APR2016

STE TE Connectivity

DIMENSIONS:
mm

TOLERANCES UNLESS OTHERWISE SPECIFIED:



0 PLC	± -
1 PLC	± -
2 PLC	± -
3 PLC	± -
4 PLC	± -
ANGLES	± -

MATERIAL

FINISH

CHK -

APVD -

PRODUCT SPEC -

APPLICATION SPEC -

WEIGHT -

CUSTOMER DRAWING

NAME

GRACE INERTIA CONNECTOR 3.5
2 POS PLUG HOUSING

SIZE CAGE CODE DRAWING NO RESTRICTED TO

A3 00779 C-1565081

SCALE NONE SHEET 2 of 2 REV B1

Mouser Electronics

Authorized Distributor

Click to View Pricing, Inventory, Delivery & Lifecycle Information:

[TE Connectivity:](#)

[1-1565081-2](#)