

NOTES:

1. MATERIALS AND FINISHES:  
 BODY - BRASS, GOLD PLATING  
 CONTACT - BeCu, GOLD PLATING  
 INSULATOR - PTFE, NATURAL

2. ELECTRICAL:  
 A. IMPEDANCE: 50 OHM  
 B. FREQUENCY RANGE: DC - 26.5 GHz  
 C. VSWR(RETURN LOSS): 1.11 MAX (-26 dB MIN) @ DC-6 GHz  
 1.22 MAX (-20 dB MIN) @ 6-18 GHz  
 1.33 MAX (-17 dB MIN) @ 18-26.5 GHz  
 CONNECTOR ONLY, PERFORMANCE WILL VARY  
 BASED ON BOARD LAYOUT  
 D. DIELECTRIC WITHSTANDING VOLTAGE: 500 VRMS, MIN.

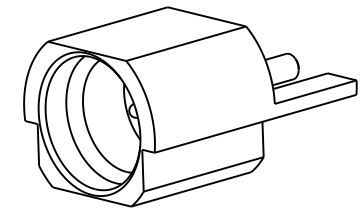
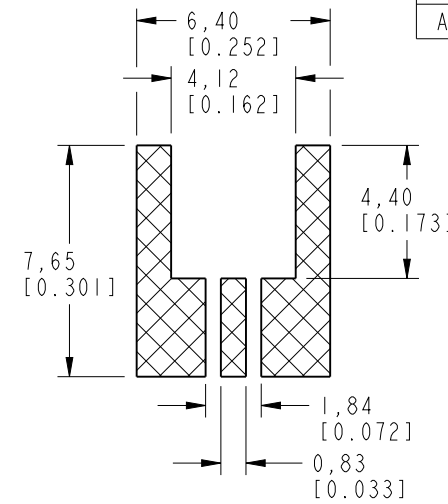
3. MECHANICAL:  
 A. DURABILITY: 500 CYCLES MIN.  
 B. TEMPERATURE RANGE: -65°C TO +165°C  
 C. ENGAGEMENT FORCE: 2 LBS (9 N) MAX.  
 D. DISENGAGEMENT FORCE: 0.5 LBS (2.2 N) MIN.

4. PACKAGING:  
 A. QUANTITY: SEE TABLE  
 B. MARKING: REEL OR TRAY TO BE MARKED  
 "AMPHENOL RF, PART NUMBER & YYWW"

PART NUMBER	PACKAGING METHOD	QUANTITY
SMP-MSSB-PCE-4	TRAY	50
SMP-MSSB-PCE-4T	TAPE & REEL	1000

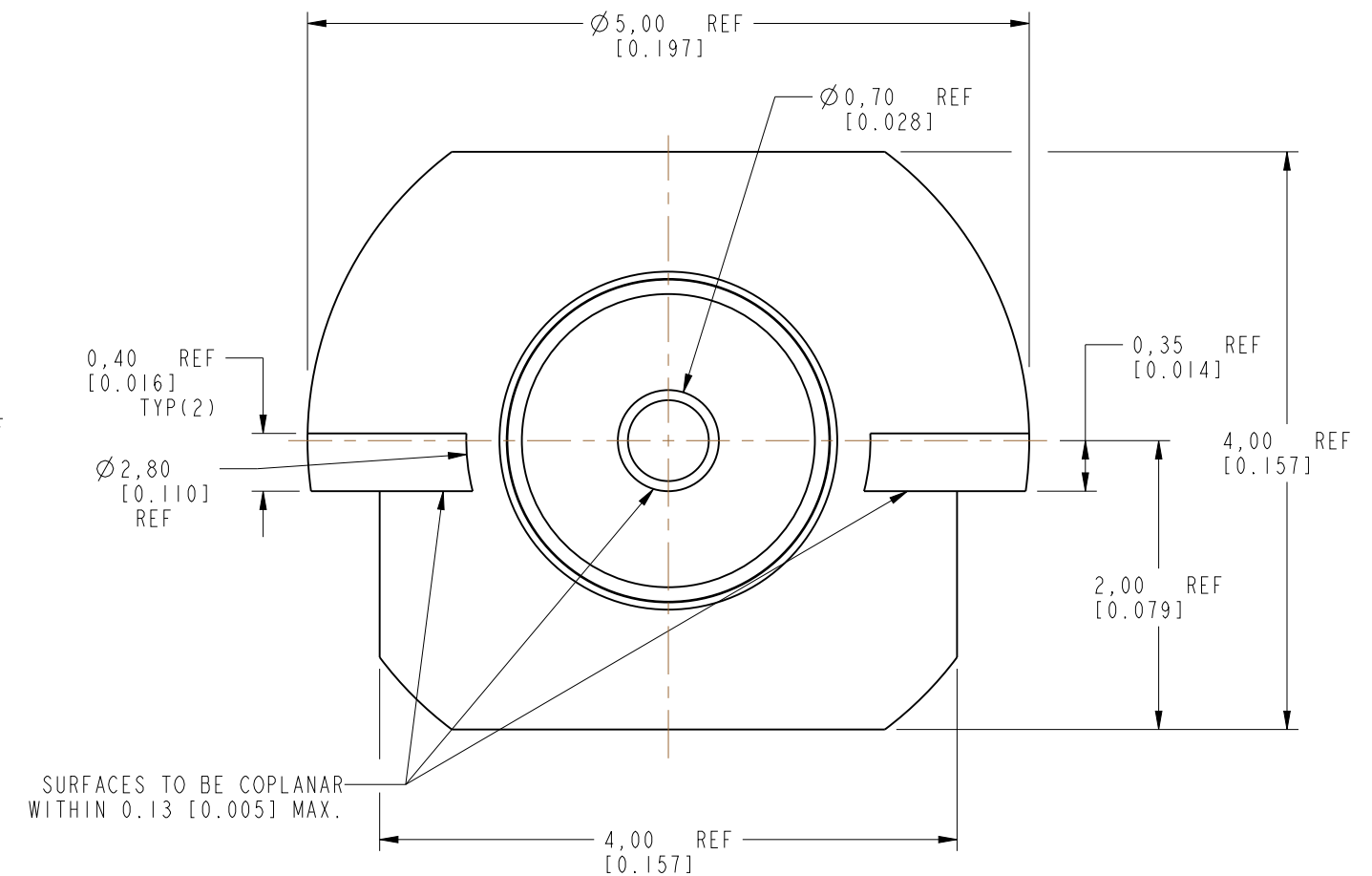
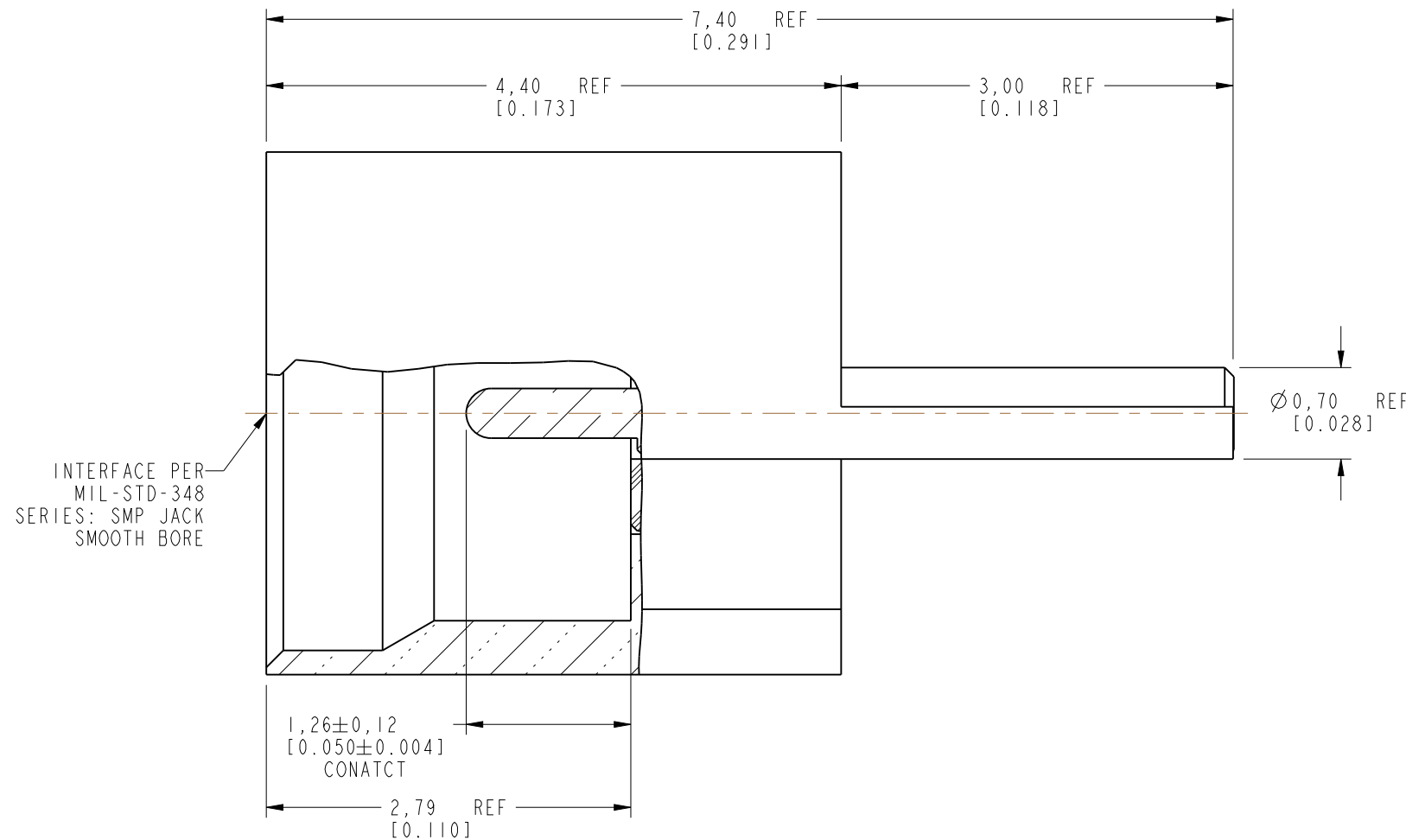
THIRD ANGLE PROJ.

REV		DESCRIPTION	DATE	ECN	APPR
A		RELEASE TO MFG.	18-Jun-19	11903	EH



SCALE 5.000

RECOMMENDED PCB LAYOUT



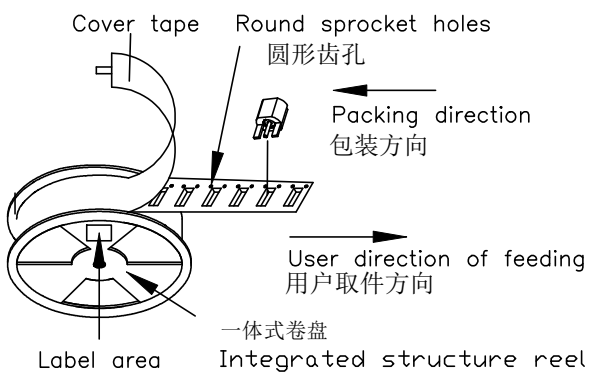
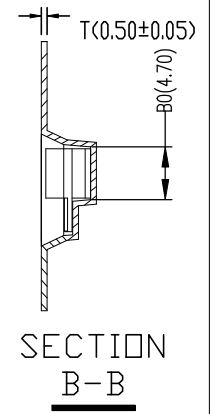
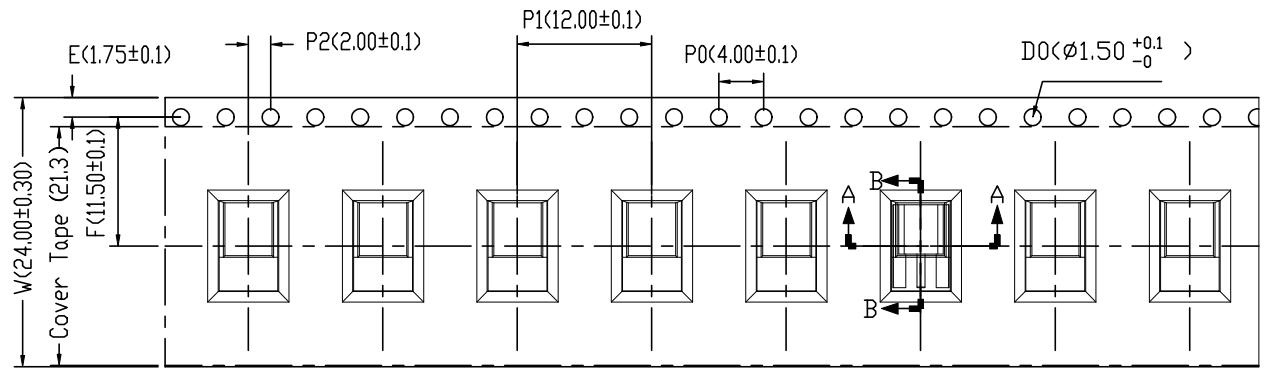
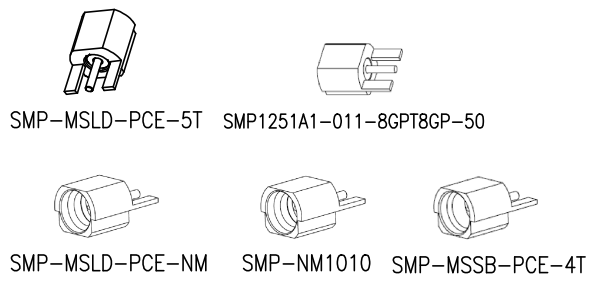
**CUSTOMER OUTLINE DRAWING**

ALL OTHER SHEETS ARE FOR INTERNAL USE ONLY

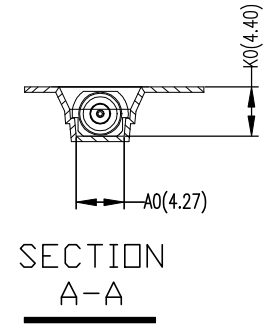
UNLESS OTHERWISE SPECIFIED, DIMENSIONS ARE IN METRIC AND TOLERANCES ARE: <0.5mm ±0.05mm    0.5 - 6mm ±0.1mm    6 - 30mm ±0.2mm    30 - 120mm ±0.3mm    ANGLES ±1°	MATERIAL	DRAWN	DATE	TITLE	Amphenol RF www.amphenolrf.com	
	SEE NOTES	KAVI S	31-Jan-19	SMP STR JACK SMOOTH BORE EDGE MOUNT		
NOTICE - These drawings, specifications, or other data (1) are, and remain the property of Amphenol corp. (2) must be returned upon request; and (3) are confidential and not to be disclosed to any person other than those to whom they are given by Amphenol Corp. the furnishing of these drawings, specifications, or other data by Amphenol Corp., or to any other person to anyone for any purpose is not to be regarded by implication or otherwise in any manner licensing, granting rights to permitting such holder or any other person to manufacture, use or sell any product, process or design, patented or otherwise, that may in any way be related to or disclosed by said drawings, specifications, or other data.	REFERENCE	ENGINEER	DATE	SCALE: 20.0:1.0 SHEET 2 OF 2	DRAWING NO. SMP-MSSB-PCE-4X	
	EAR# 8533	KRISHNA S	31-Jan-19	DWG SIZE B	REV A	ITEM NO. SMP-MSSB-PCE-4X
	REF: SMP-MSLD-PCE-5	APPROVED	K. CAPOZZI	DATE		PART NO. SMP-MSSB-PCE-4X
CONFIGURATION LEVEL: In Work	FINISH	CAD FILE	18-Jun-19			

THIRD ANGLE PROJ.

REVISIONS				
REV	DESCRIPTION	DATE	ECO	APPR
A	RELEASE TO MFG.	Oct-25-18'		Zoe
A1	ADDED THE P/N MP-MSLD-PCE-NM,SMP-NM1010,SMP-MSSB-PCE-4T	Jun-10-19'		Zoe



**用户取件方向**  
User direction of feeding



**TAPE&REEL示意图**

- NOTES:
- 10 sprocket holes pitch cumulative tolerance  $\pm 0.20$  mm.
  - Carrier camber not to exceed 1 mm in 250 mm.
  - A0 and B0 measured on a plane 0.3 mm above the bottom of the pocket.
  - K0 measured from a plane on the inside bottom of the pocket to the top surface of the carrier.
  - All dimensions meet EIA-481-D requirements.
  - Material: Carrier TAPE,Black PS;REEL,Blue(RoHS Compliant)
  - Thickness:  $0.50 \pm 0.05$  mm.
  - Packing length per 13" reel: 12.96 Meters.
  - Component loader per 13" reel: 1000 pcs.

注:未注公差为 $\pm 0.10$   
NOTE: ALL TOLERANCES ARE:  $\pm 0.10$ , EXCEPT WHERE NOTED

ITEM	W	A0	B0	K0	K1	P1	F	E	D0	D1	P0	P2	T
DIM	24.00±0.3	4.27±0.1	4.70±0.1	4.40±0.1		12.00±0.1	11.50±0.1	1.75±0.1	1.50 <sup>+0.10</sup> <sub>-0.00</sub>		4.00±0.1	2.00±0.1	0.50±0.05

UNLESS OTHERWISE SPECIFIED, DIMENSIONS ARE IN METRIC AND TOLERANCES ARE:  
0.5 - 6mm ±0.1mm  
6 - 30mm ±0.2mm  
30 - 120mm ±0.3mm  
ANGLES ±1°

NOTICE - These drawings, specifications, or other data (1) are, and remain the property of Amphenol Corp. (2) must be returned upon request; and (3) are confidential and not to be disclosed to any person other than those to whom they are given by Amphenol Corp. The furnishing of these drawings, specifications, or other data by Amphenol Corp., or to any other person to anyone for any purpose is not to be regarded by implication or otherwise in any manner licensing, granting rights or permitting such holder or any other person to manufacture, use or sell any product, process or design, patented or otherwise, that may in any way be related to or disclosed by said drawings, specifications, or other data.

MATERIAL Black PS	DRAWN Zoe	DATE Jun-10-19'	TITLE TAPE&REEL	Amphenol RF Danbury, CT, USA Tainan, Taiwan Shenzhen, China www.amphenolrf.com	
REFERENCE	ENGINEER	DATE	DESCRIPTION SMP-MSLD-PCE-5T(13寸1K)TAPE	SCALE: 1/1	SHEET 1 OF 1
FINISH	APPROVED	DATE	CAD FILE F:\DWG\PACKAGING\TAPE REEL\12080000024A	CODE ID 74868	DWG SIZE A1
PART NO. 12080000024A			DRAWING NO. 12080000024A	REV A1	

# Mouser Electronics

Authorized Distributor

Click to View Pricing, Inventory, Delivery & Lifecycle Information:

[Amphenol:](#)

[SMP-MSSB-PCE-4T](#)