

4

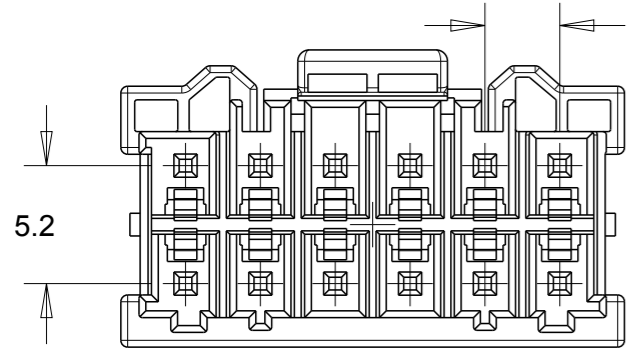
3

2

1

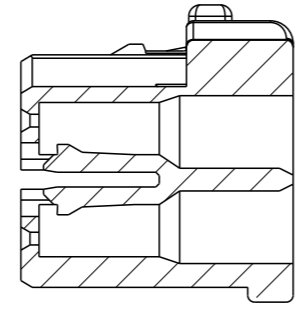
THIS DRAWING IS UNPUBLISHED. RELEASED FOR PUBLICATION 20
 © COPYRIGHT 20 BY - ALL RIGHTS RESERVED.

LOC	DIST	REVISIONS					
		P	LTR	DESCRIPTION	DATE	DWN	APVD
-	-	C1		ECR-15-006845	04MAY2015	A.Q	D.Z

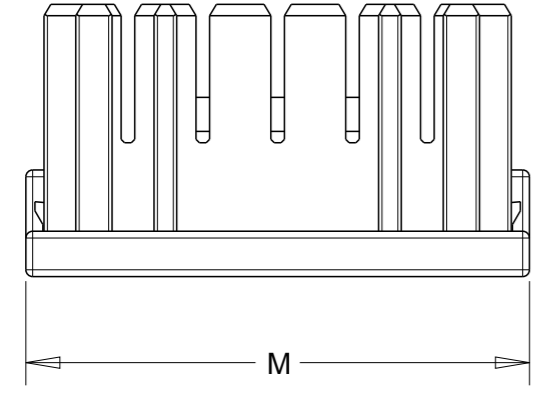


PITCH 3.3

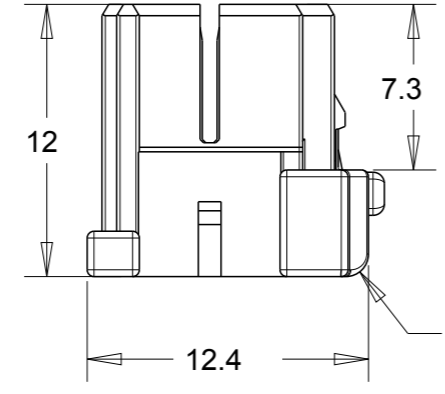
5.2



SECTION A-A



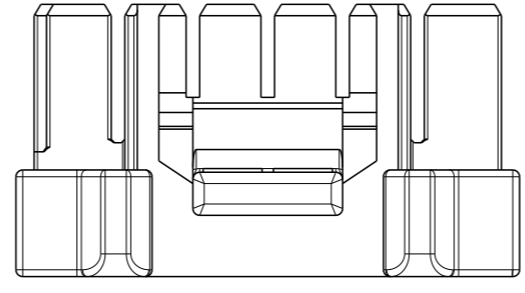
M



7.3

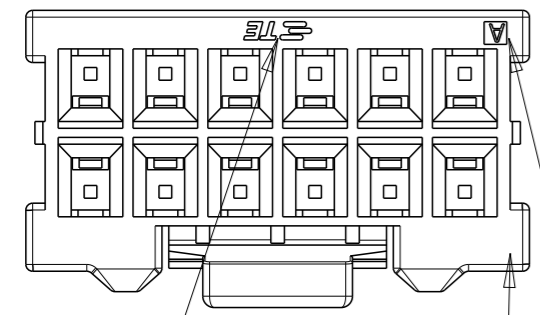
12.4

R1



NOTES:

- 1 MATERIAL: PA 66 GLASS FILLED UL94 V-0
- 2 MATING HEADER ASSEMBLY SEE TABLE
- 3. MATING REC CONTACT 1983780-1



TRADE MARK

CIRCUIT NO.

CAVITY MARK

THIS DRAWING IS A CONTROLLED DOCUMENT.		DWN HJ.Z 08NOV2013	 TE Connectivity NAME NEXT GENERATION G13.3 PLUG HOUSING 2ROW -	
DIMENSIONS: mm		CHK TIM.D 08NOV2013		
TOLERANCES UNLESS OTHERWISE SPECIFIED:		APVD YH.MAO 08NOV2013		
0 PLC ±- 1 PLC ±0.5 2 PLC ±0.13 3 PLC ±- 4 PLC ±- ANGLES ±- FINISH -		PRODUCT SPEC 108-106094		
MATERIAL 1		APPLICATION SPEC 114-106094	WEIGHT -	SIZE A3
		Customer Drawing	SCALE -	CAGE CODE 00779
				DRAWING NO C-1971905
				RESTRICTED TO -
				SHEET 1 OF 3
				REV C1

P/N	COLOR	KEYING	M	POS	P/N	
4-1971906-7	YELLOW	D	25.5	14	4-1971905-7	
3-1971906-7	RED	C			3-1971905-7	
2-1971906-7 6-1971906-7	BLUE	B			2-1971905-7	
1-1971906-7 5-1971906-7	NATURAL	A	22.2	12	1-1971905-7	
4-1971906-6	YELLOW	D			4-1971905-6	
3-1971906-6	RED	C			3-1971905-6	
2-1971906-6	BLUE	B	18.9	10	2-1971905-6	
1-1971906-6	NATURAL	A			1-1971905-6	
4-1971906-5	YELLOW	D			4-1971905-5	
3-1971906-5	RED	C	15.6	8	3-1971905-5	
2-1971906-5	BLUE	B			2-1971905-5	
1-1971906-5	NATURAL	A			1-1971905-5	
4-1971906-4	YELLOW	D	12.3	6	4-1971905-4	
3-1971906-4	RED	C			3-1971905-4	
2-1971906-4	BLUE	B			2-1971905-4	
1-1971906-4	NATURAL	A	9	4	1-1971905-4	
4-1971906-3	YELLOW	D			4-1971905-3	
3-1971906-3	RED	C			3-1971905-3	
2-1971906-3	BLUE	B	9	4	2-1971905-3	
1-1971906-3	NATURAL	A			1-1971905-3	
4-1971906-2	YELLOW	D			4-1971905-2	
3-1971906-2	RED	C	9	4	3-1971905-2	
2-1971906-2	BLUE	B			2-1971905-2	
1-1971906-2	NATURAL	A			1-1971905-2	
MATING CONN P/N		COLOR	KEYING	M	POS	P/N

THIS DRAWING IS UNPUBLISHED.

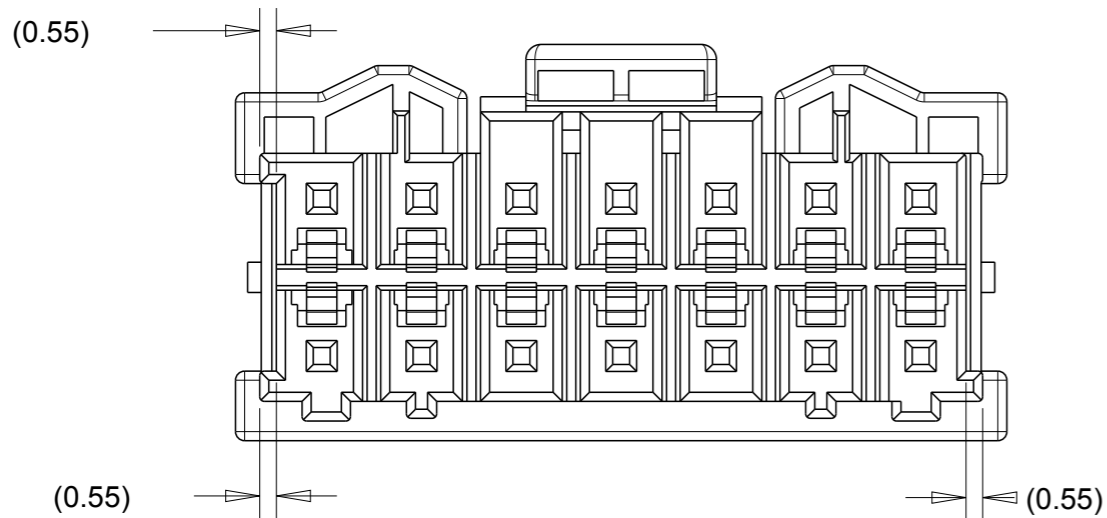
RELEASED FOR PUBLICATION

20

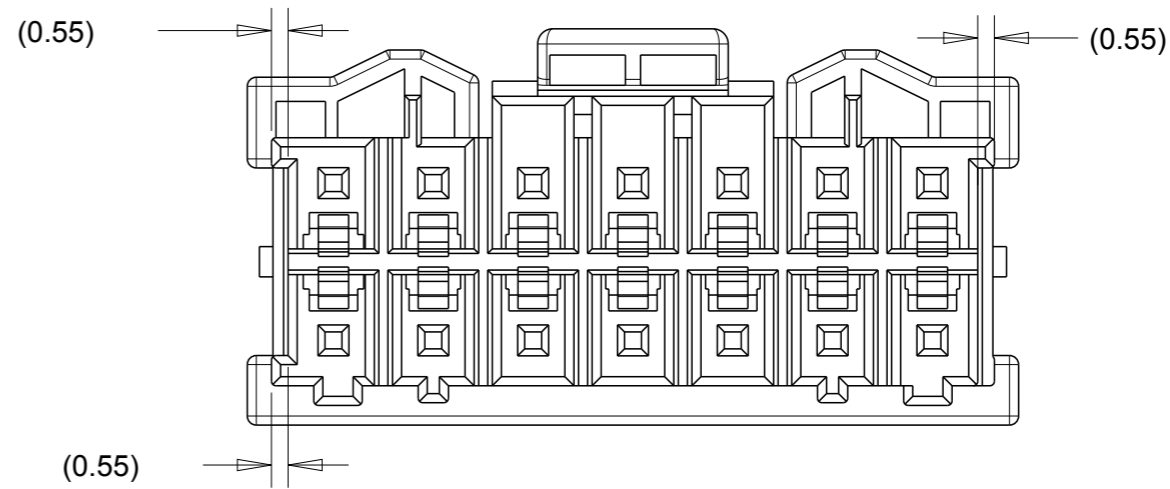
© COPYRIGHT 20 BY - ALL RIGHTS RESERVED.

LOC	DIST	REVISIONS					
		P	LTR	DESCRIPTION	DATE	DWN	APVD
-	-	-	-	SEE SHEET 1	-	-	-

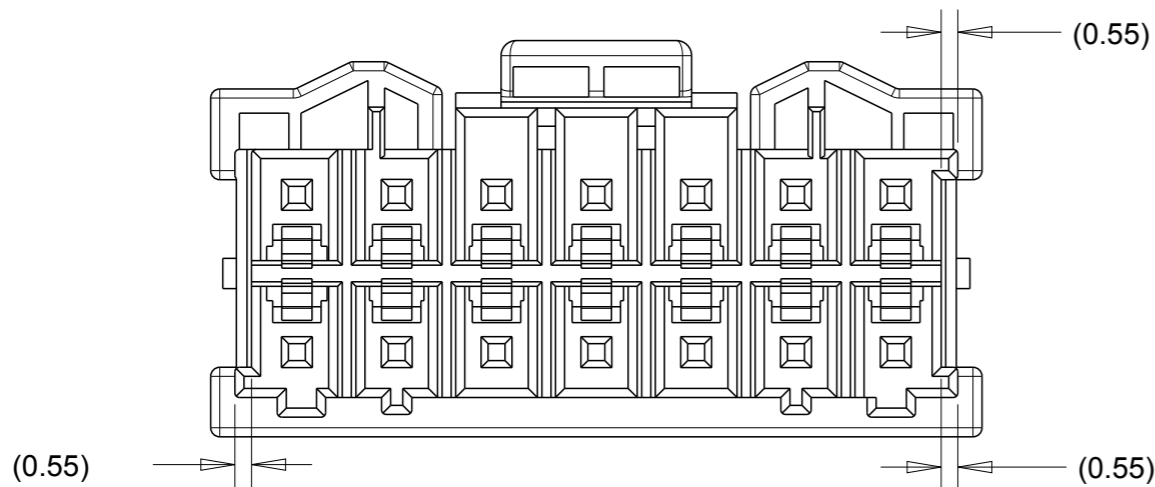
KEYING FEATURE SHOWN BY *-1971905-7



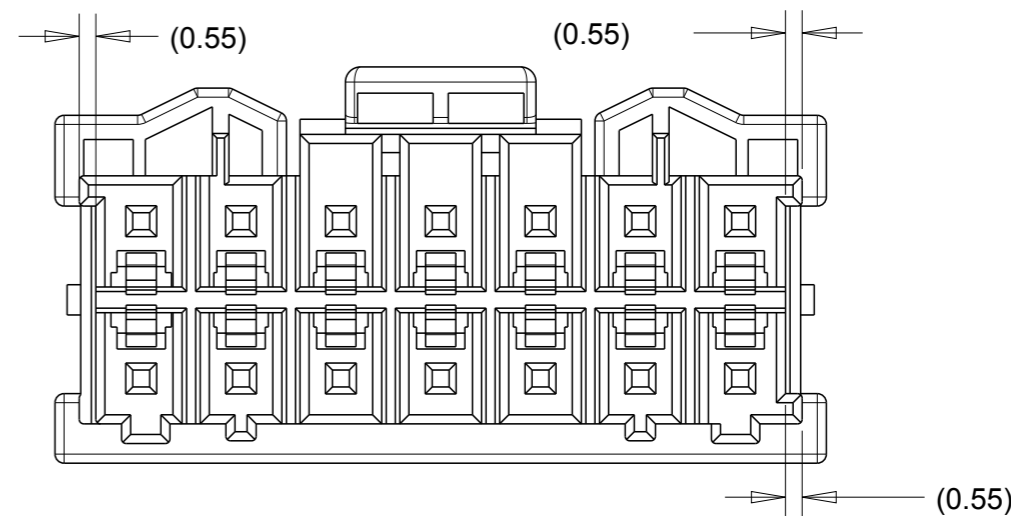
KEYING A




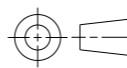
KEYING B



KEYING C



KEYING D

THIS DRAWING IS A CONTROLLED DOCUMENT.		DWN HJ.Z	08NOV2013	 TE Connectivity	NAME NEXT GENERATION G13.3 PLUG HOUSING 2ROW
DIMENSIONS: mm		CHK TIM.D	08NOV2013		
TOLERANCES UNLESS OTHERWISE SPECIFIED:		APVD YH.MAO	08NOV2013		
 0 PLC ±- 1 PLC ±0.5 2 PLC ±0.13 3 PLC ± 4 PLC ± ANGLES ± ±-		PRODUCT SPEC 108-106094	APPLICATION SPEC 114-106094		
MATERIAL	-	WEIGHT	-	SIZE A3	CAGE CODE 00779
FINISH		-		DRAWING NO C-1971905	RESTRICTED TO -
Customer Drawing				SCALE	-
				SHEET	2 OF 3
				REV	C1

THIS DRAWING IS UNPUBLISHED.

RELEASED FOR PUBLICATION

20

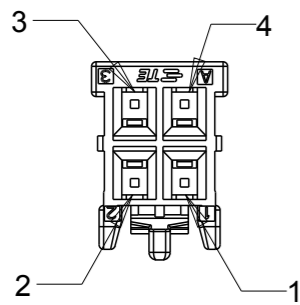
© COPYRIGHT 20 BY -

ALL RIGHTS RESERVED.

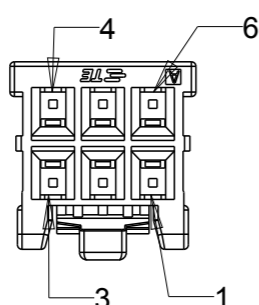
LOC	DIST	REVISIONS					
		P	LTR	DESCRIPTION	DATE	DWN	APVD
-	-	-	-	SEE SHEET 1	-	-	-

CIRCUIT NUMBER SHOWN FOR ALL P/N

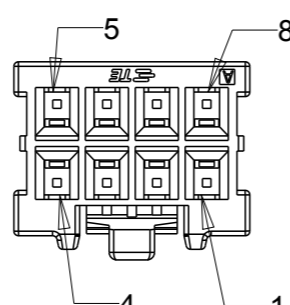
1-1971905-2 SHOWN



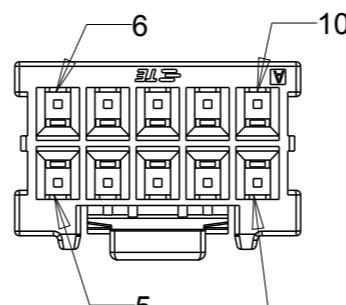
1-1971905-3 SHOWN



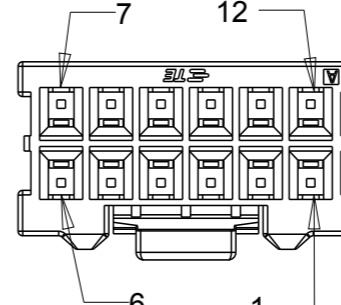
1-1971905-4 SHOWN



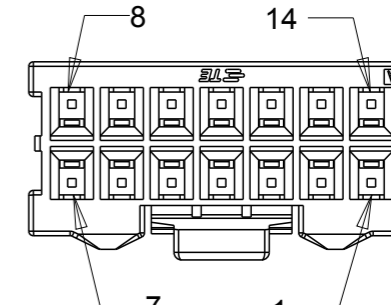
1-1971905-5 SHOWN



1-1971905-6 SHOWN



1-1971905-7 SHOWN



THIS DRAWING IS A CONTROLLED DOCUMENT.		DWN ANNIE QIAN 04MAY2015		
		CHK ANNIE QIAN 04MAY2015		
DIMENSIONS: mm		APVD DANIEL ZHANG 04MAY2015	NAME NEXT GENERATION G13.3 PLUG HOUSING 2ROW	
		PRODUCT SPEC 108-106094	RESTRICTED TO	
TOLERANCES UNLESS OTHERWISE SPECIFIED:		APPLICATION SPEC 114-106094	SIZE A3	CAGE CODE -
0 PLC ±-		WEIGHT -	DRAWING NO 1971905	SCALE -
1 PLC ±0.5		SHEET 3 OF 3		
2 PLC ±0.13		REV C1		
3 PLC ±-		CUSTOMER DRAWING		
4 PLC ±-				
ANGLES ±-				
FINISH -				

Mouser Electronics

Authorized Distributor

Click to View Pricing, Inventory, Delivery & Lifecycle Information:

[TE Connectivity:](#)

[1-1971905-5](#)