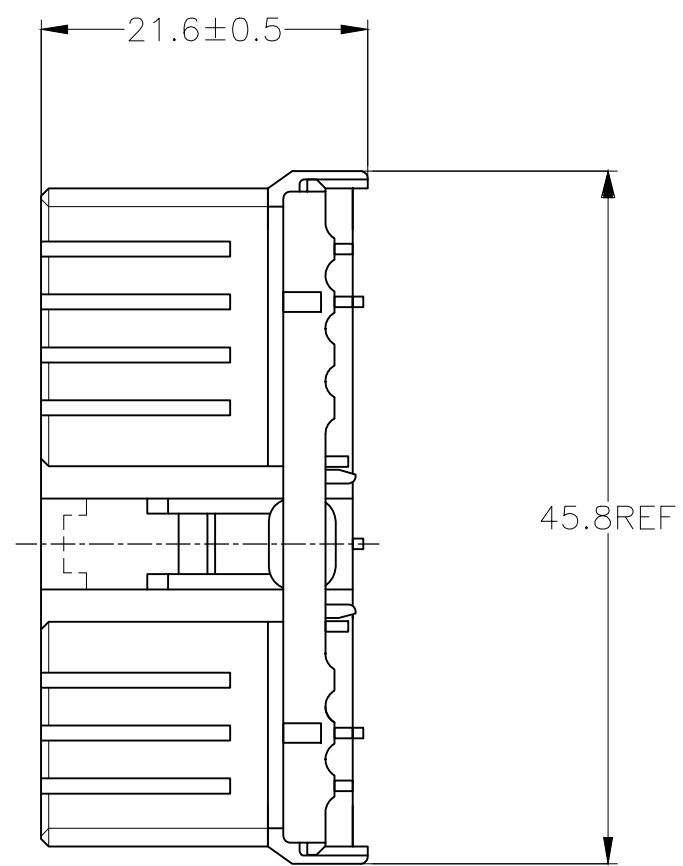
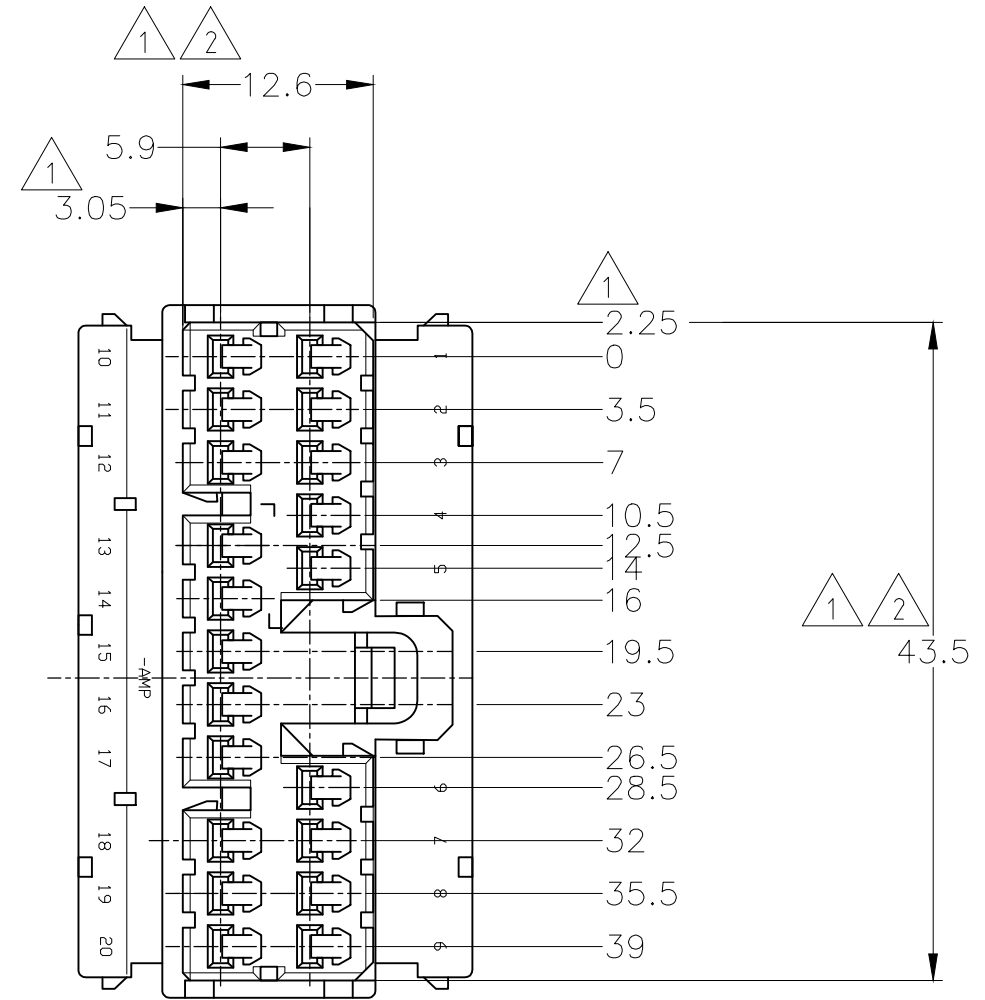
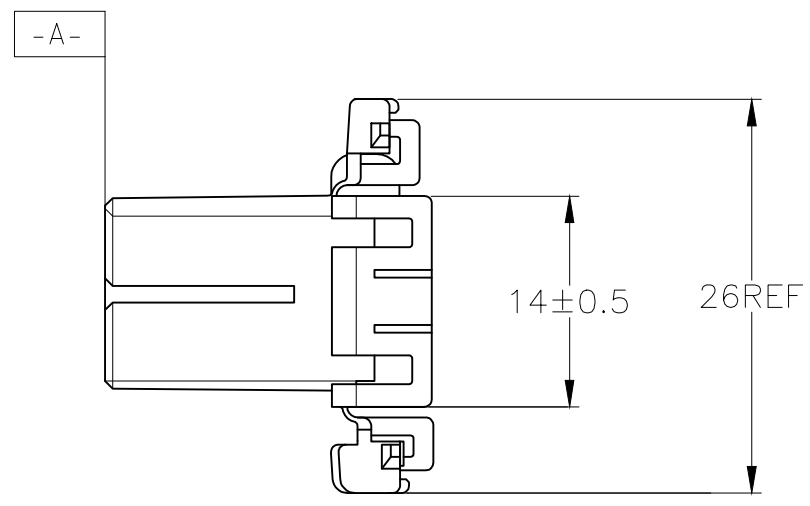


THIS DRAWING IS UNPUBLISHED. RELEASED FOR PUBLICATION  
 © COPYRIGHT - By - ALL RIGHTS RESERVED.

REVISIONS					
P	LTR	DESCRIPTION	DATE	DWN	APVD
	E4	REVISED	ECR-17-016951	17JUL2017	TS HY



- MUST BE KEPT BETWEEN -A- AND 2
  - TO BE MATED WITH PLUG HOUSING SMOOTHLY
  - APPLIED TAB CONTACT; P/N 173630 AND 173631
  - APPLIED CAP HOUSING; P/N 174936 etc
- A- 面より2mmの範囲で測定
  - 相手ハウジングと所定の機能を満足して嵌合できること
  - 内装するタブコンタクトは型番173630、173631
  - 嵌合相手ハウジング型番174936 他



V-2	自然色 (NATURAL)	1-174952-1
HB	黄 (YELLOW)	174952-7
	灰 (GRAY)	174952-6
	青 (BLUE)	174952-5
	緑 (GREEN)	174952-4
	自然色 (NATURAL)	174952-1
使用材料難燃グレード (FLAMMABILITY OF MATERIAL)		色 (COLOR) 型番 (PART NUMBER)

TOLERANCES UNLESS OTHERWISE SPECIFIED:  
 一般公差

10 >	±0.2
30 >	> 10 : ±0.25
	> 30 : ±0.3
ANGLE	3°

THIS DRAWING IS A CONTROLLED DOCUMENT.

DIMENSIONS:	TOLERANCES UNLESS OTHERWISE SPECIFIED:
mm	0 PLC ± -
	1 PLC ± -
	2 PLC ± -
	3 PLC ± -
	4 PLC ± -
	ANGLES ± -
MATERIAL	FINISH
PBT	-

DWN	S.FUJITA	09DEC08	<b>TE Connectivity</b>					
CHK	K.BETSUI	09DEC08						
APVD	K.BETSUI	09DEC08						
PRODUCT SPEC	NAME							
APPLICATION SPEC	-		070 SERIES MULTILOCK CONNECTOR 20POSITION PULG HOUSING					
WEIGHT	7.8 g	A3	CAGE CODE	00779	DRAWING NO	C-174952	RESTRICTED TO	-
CUSTOMER DRAWING			SCALE	2:1	SHEET	1 OF 1	REV	E4

# Mouser Electronics

Authorized Distributor

Click to View Pricing, Inventory, Delivery & Lifecycle Information:

[TE Connectivity:](#)

[1-174952-1](#)