

THIS DRAWING IS UNPUBLISHED. RELEASED FOR PUBLICATION  
 © COPYRIGHT - By - ALL RIGHTS RESERVED.


| LOC | DIST | REVISIONS<br>変更 |     |                           |         |     |      |
|-----|------|-----------------|-----|---------------------------|---------|-----|------|
| J   | -    | P               | LTR | DESCRIPTION               | DATE    | DWN | APVD |
|     |      |                 | H3  | REVISED PER ECO-11-005030 | 30MAR11 | RK  | HMR  |

|    |                |                    |                       |              |
|----|----------------|--------------------|-----------------------|--------------|
| △1 | OBSOLETE       | 215032-1           | <del>2-170823-9</del> | SEE 7 OF 13  |
|    |                | 246225             | 2-170823-8            | SEE 2 OF 13  |
| △1 | OBSOLETE       | 238035-3           | <del>2-170823-7</del> | SEE 10 OF 13 |
|    | OBSOLETE       | 235818             | 2-170823-5            | SEE 12 OF 13 |
|    |                | 234018-4           | 2-170823-4            | SEE 13 OF 13 |
|    | OBSOLETE       | 234025-1           | 2-170823-3            |              |
|    | △1<br>OBSOLETE | 234030-1           | <del>2-170823-2</del> |              |
|    |                | 230032-1           | <del>2-170823-1</del> | SEE 9 OF 13  |
|    |                | 238035-2           | 2-170823-0            | SEE 10 OF 13 |
|    |                | 238035-1           | 1-170823-9            |              |
|    |                | 238032-1           | 1-170823-8            |              |
| △1 | OBSOLETE       | 238020-1           | <del>1-170823-7</del> |              |
|    |                | 238038             | 1-170823-6            | SEE 12 OF 13 |
|    |                | 238035             | 1-170823-5            |              |
|    |                | 235825-1           | 1-170823-4            |              |
|    |                | 235822             | 1-170823-3            | SEE 13 OF 13 |
|    |                | 234018-2           | 1-170823-2            |              |
|    |                | 234018-1           | 1-170823-1            |              |
|    |                | 234030             | 1-170823-0            |              |
|    |                | 234018             | 170823-9              | SEE 10 OF 13 |
|    |                | 234016             | 170823-8              |              |
| △1 | OBSOLETE       | 238060             | <del>170823-7</del>   |              |
|    |                | 238048             | 170823-6              | SEE 10 OF 13 |
|    |                | 238032             | 170823-4              |              |
|    |                | 238020             | 170823-3              |              |
|    |                | 238025             | 170823-2              |              |
|    |                | 234025             | 170823-1              | SEE 13 OF 13 |
|    |                | SHINAGAWA SHOKO PN | PN                    | REMARK       |

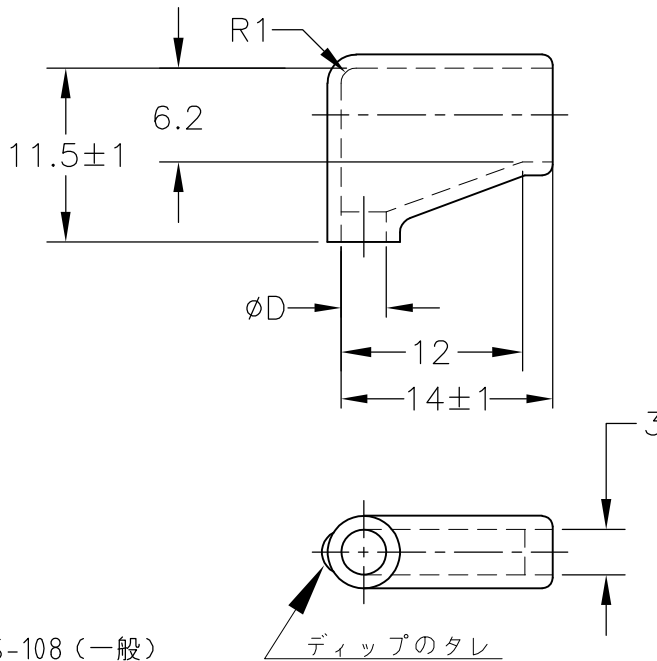
|    |                |                    |            |              |
|----|----------------|--------------------|------------|--------------|
|    |                | 24623204           | 5-170823-8 | SEE 2 OF 13  |
|    |                | 248550             | 5-170823-7 | SEE 3 OF 13  |
|    |                | 246230             | 5-170823-6 | SEE 2 OF 13  |
|    |                | 234025-4           | 5-170823-4 | SEE 13 OF 13 |
|    | OBSOLETE       | 234028             | 5-170823-3 |              |
|    | OBSOLETE       | 224222             | 5-170823-1 | SEE 8 OF 13  |
| △1 | OBSOLETE       | 246232-1           | 5-170823-0 | SEE 2 OF 13  |
|    | OBSOLETE       | 238040             | 4-170823-9 | SEE 10 OF 13 |
|    | OBSOLETE       | 238025-2           | 4-170823-8 |              |
|    | OBSOLETE       | 238025-1           | 4-170823-7 |              |
| △1 | OBSOLETE       | 234025-3           | 4-170823-6 | SEE 13 OF 13 |
|    | OBSOLETE       | 234025-2           | 4-170823-5 |              |
|    | OBSOLETE       | 248525             | 4-170823-4 | SEE 3 OF 13  |
| △1 | OBSOLETE       | 215025W            | 4-170823-3 | SEE 6 OF 13  |
|    | OBSOLETE       | 236525W            | 4-170823-2 | SEE 5 OF 13  |
|    |                | 236525             | 4-170823-1 | SEE 11 OF 13 |
|    | OBSOLETE       | 234025W            | 4-170823-0 | SEE 5 OF 13  |
|    |                | 246232             | 3-170823-8 | SEE 2 OF 13  |
|    | OBSOLETE       | 230025W            | 3-170823-7 | SEE 4 OF 13  |
|    | OBSOLETE       | 238025W            | 3-170823-6 | SEE 5 OF 13  |
|    | △1<br>OBSOLETE | 215028             | 3-170823-5 | SEE 7 OF 13  |
|    |                | 224228             | 3-170823-4 | SEE 8 OF 13  |
|    |                | 215032W            | 3-170823-3 | SEE 6 OF 13  |
|    | OBSOLETE       | 238032-3           | 3-170823-2 | SEE 10 OF 13 |
|    | OBSOLETE       | 238032-2           | 3-170823-1 |              |
|    |                | SHINAGAWA SHOKO PN | PN         | REMARK       |

|            |            |
|------------|------------|
| X-170892-X | SEE 170892 |
| X-170893-X | SEE 170893 |
| X-170887-X | SEE 170887 |
| X-170889-X | SEE 170889 |
| X-170888-X | SEE 170888 |
| X-170890-X | SEE 170890 |
| X-170891-X | SEE 170891 |
| PN         | REMARK     |

△1 OBSOLETE PARTS: OBSOLETE CIS STREAMLINING PER D.RENAUD/D.SINISI

|  |     |                                |  |                              |     |       |     |       |     |       |     |        |     |                      |  |                   |
|--|-----|--------------------------------|--|------------------------------|-----|-------|-----|-------|-----|-------|-----|--------|-----|----------------------|--|-------------------|
| THIS DRAWING IS A CONTROLLED DOCUMENT.   |     | DWN<br>A. YAMAGUCHI<br>31AUG00 |  <b>TE Connectivity</b> |                              |     |       |     |       |     |       |     |        |     |                      |  |                   |
| DIMENSIONS:<br>単位: 耗<br>mm   |     | CHK<br>D. MATSUURA<br>31AUG00  |  |                              |     |       |     |       |     |       |     |        |     |                      |  |                   |
| TOLERANCES UNLESS OTHERWISE SPECIFIED:<br>一般公差   |     | APVD<br>K. BETSUI<br>31AUG00   | NAME<br>名称   |                              |     |       |     |       |     |       |     |        |     |                      |  |                   |
| <table border="0"> <tr><td>0 PLC</td><td>± -</td></tr> <tr><td>1 PLC</td><td>± -</td></tr> <tr><td>2 PLC</td><td>± -</td></tr> <tr><td>3 PLC</td><td>± -</td></tr> <tr><td>4 PLC</td><td>± -</td></tr> <tr><td>ANGLES</td><td>± -</td></tr> </table> |     | 0 PLC                          | ± -  | 1 PLC                        | ± - | 2 PLC | ± - | 3 PLC | ± - | 4 PLC | ± - | ANGLES | ± - | PRODUCT SPEC<br>製品規格 |  | INSULATION SLEEVE |
| 0 PLC  | ± - |                                |  |                              |     |       |     |       |     |       |     |        |     |                      |  |                   |
| 1 PLC  | ± - |                                |  |                              |     |       |     |       |     |       |     |        |     |                      |  |                   |
| 2 PLC  | ± - |                                |  |                              |     |       |     |       |     |       |     |        |     |                      |  |                   |
| 3 PLC  | ± - |                                |  |                              |     |       |     |       |     |       |     |        |     |                      |  |                   |
| 4 PLC  | ± - |                                |  |                              |     |       |     |       |     |       |     |        |     |                      |  |                   |
| ANGLES   | ± - |                                |  |                              |     |       |     |       |     |       |     |        |     |                      |  |                   |
| MATERIAL<br>材料   |     | APPLICATION SPEC<br>取付適用規格     |  |                              |     |       |     |       |     |       |     |        |     |                      |  |                   |
| FINISH<br>仕上   |     | WEIGHT                         |  | SIZE<br>A3                   |     |       |     |       |     |       |     |        |     |                      |  |                   |
|  |     | CUSTOMER DRAWING               |  | CAGE CODE<br>00779           |     |       |     |       |     |       |     |        |     |                      |  |                   |
|  |     |                                |  | DRAWING NO<br>番号<br>G-170823 |     |       |     |       |     |       |     |        |     |                      |  |                   |
|  |     |                                |  | RESTRICTED TO<br>-           |     |       |     |       |     |       |     |        |     |                      |  |                   |
|  |     |                                |  | SCALE<br>尺度<br>1:1           |     |       |     |       |     |       |     |        |     |                      |  |                   |
|  |     |                                |  | SHEET<br>1 OF 13             |     |       |     |       |     |       |     |        |     |                      |  |                   |
|  |     |                                |  | REV<br>H3                    |     |       |     |       |     |       |     |        |     |                      |  |                   |

|          |           |                 |     |             |      |     |      |
|----------|-----------|-----------------|-----|-------------|------|-----|------|
| LOC<br>J | DIST<br>— | REVISIONS<br>変更 |     |             | DATE | DWN | APVD |
|          |           | P               | LTR | DESCRIPTION |      |     |      |
|          |           |                 | —   | SEE SHEET 1 | —    | —   | —    |



1. 材質：SS-108（一般）
2. 一般公差：±0.5
3. 適用製品規格は無し
- △ 品川商工発行のカタログと本図で寸法が異なる場合は本図を優先する。
5. この製品の名称は旗型コネクタスリーブ187シリーズ

1. MATERIAL:SS-108(GENERAL)
2. GENERAL TOLERANCE: ±0.5
3. APPLICABLE PRODUCT SPEC NOT AVAILABLE
- △ IN THE EVENT OF CONFLICT BETWEEN THE REQUIREMENTS OF THIS CUSTOMER DRAWING AND THE SHINAGAWA SHOKO CO LTD CATALOG THIS CUSTOMER DRAWING SHALL TAKE PRECEDENCE
5. THIS PRODUCT NAME FLAG TYPE CONNECT SLEEVE FOR 187 SERIES
- △ OBSOLETE PARTS: OBSOLETE CIS STREAMLINING PER D.RENAUD/D.SINISI

|              |           |                   |                      |             |                       |
|--------------|-----------|-------------------|----------------------|-------------|-----------------------|
| <br>OBSOLETE | BLACK     | $1^{+0.3}_{-0.2}$ | 3.2                  | 24623204    | 5-170823-8            |
|              | CLEAR     |                   | 3                    | 246230      | <del>5-170823-6</del> |
|              |           |                   | 3.2                  | 246232-1    | <del>5-170823-0</del> |
|              |           |                   | 3.2                  | 246232      | 3-170823-8            |
|              |           |                   | 2.5                  | 246225      | 2-170823-8            |
| COLOR        | THICKNESS | φD                | △ SHINAGAWA SHOKO PN | PART NUMBER |                       |

THIS DRAWING IS UNPUBLISHED. ALL RIGHTS RESERVED.

COPYRIGHT - By -

|  |   |                      |                  |                                 |                              |                    |
|--|---|----------------------|------------------|---------------------------------|------------------------------|--------------------|
| DIMENSIONS:<br>単位： 耗<br>mm                     | DWN<br>A. YAMAGUCHI<br>31AUG00  | MATERIAL<br>材料       | FINISH<br>仕上     |                                 |                              |                    |
|  | CHK<br>D. MATSUURA<br>31AUG00   | TE Connectivity      |                  |                                 |                              |                    |
| TOLERANCES UNLESS OTHERWISE SPECIFIED:<br>一般公差 | APVD<br>K. BETSUI<br>31AUG00  |                      |                  | NAME<br>名称<br>INSULATION SLEEVE |                              |                    |
|  | 0 PLC ± -<br>1 PLC ± -<br>2 PLC ± -<br>3 PLC ± -<br>4 PLC ± -<br>ANGLES ± - | PRODUCT SPEC<br>製品規格 | SIZE<br>A4       | CAGE CODE<br>00779              | DRAWING NO<br>番号<br>C-170823 | RESTRICTED TO<br>— |
|  | APPLICATION SPEC<br>取付適用規格  | WEIGHT               | CUSTOMER DRAWING |                                 |                              |                    |
|  |   |                      | SCALE<br>尺度      | 2:1                             | SHEET<br>2 OF 13             | REV<br>H3          |

|          |           |                 |     |             |      |     |      |
|----------|-----------|-----------------|-----|-------------|------|-----|------|
| LOC<br>J | DIST<br>— | REVISIONS<br>変更 |     |             | DATE | DWN | APVD |
|          |           | P               | LTR | DESCRIPTION |      |     |      |
|          |           |                 | —   | SEE SHEET 1 | —    | —   | —    |



1. 材質：SS-108（一般）
2. 一般公差：±0.5
3. 適用製品規格は無し
- △4 品川商工発行のカタログと本図で寸法が異なる場合は本図を優先する。
5. この製品の名称は旗型コネクタスリーブ 250シリーズ

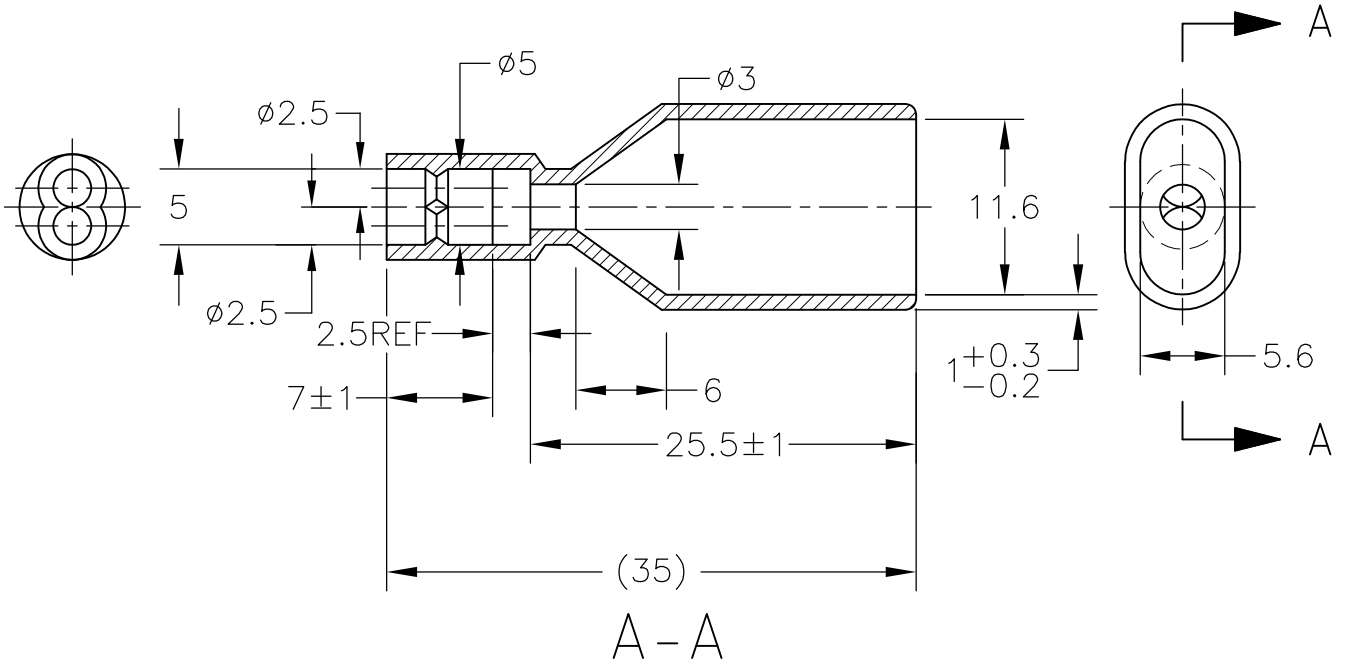
1. MATERIAL:SS-108(GENERAL)
2. GENERAL TOLERANCE: ±0.5
3. APPLICABLE PRODUCT SPEC NOT AVAILABLE
- △4 IN THE EVENT OF CONFLICT BETWEEN THE REQUIREMENTS OF THIS CUSTOMER DRAWING AND THE SHINAGAWA SHOKO CO LTD CATALOG THIS CUSTOMER DRAWING SHALL TAKE PRECEDENCE
5. THIS PRODUCT NAME FLAG TYPE CONNECT SLEEVE FOR 250 SERIES
- △6 OBSOLETE PARTS: OBSOLETE CIS STREAMLINING PER D.RENAUD/D.SINISI

|    |          |           |       |                      |        |             |
|----|----------|-----------|-------|----------------------|--------|-------------|
| △6 | OBSOLETE | CLEAR     | 1±0.3 | 5                    | 248550 | 5-170823-7  |
|    | OBSOLETE |           |       | 2.5                  | 248525 | 4-170823-4  |
|    | COLOR    | THICKNESS | φD    | △ SHINAGAWA SHOKO PN |        | PART NUMBER |

THIS DRAWING IS UNPUBLISHED. ALL RIGHTS RESERVED.

|   |                                |                 |                    |                                 |                    |                  |           |
|---|--------------------------------|-----------------|--------------------|---------------------------------|--------------------|------------------|-----------|
| DIMENSIONS:<br>単位： 耗<br>mm  | DWN<br>A. YAMAGUCHI<br>31AUG00 | MATERIAL<br>材料  | FINISH<br>仕上       |                                 |                    |                  |           |
|   | CHK<br>D. MATSUURA<br>31AUG00  | TE Connectivity |                    |                                 |                    |                  |           |
| TOLERANCES UNLESS OTHERWISE SPECIFIED:<br>一般公差                              | APVD<br>K. BETSUI<br>31AUG00   |                 |                    | NAME<br>名称<br>INSULATION SLEEVE |                    |                  |           |
| 0 PLC ± -<br>1 PLC ± -<br>2 PLC ± -<br>3 PLC ± -<br>4 PLC ± -<br>ANGLES ± - | PRODUCT SPEC<br>製品規格           | SIZE<br>A4      | CAGE CODE<br>00779 | DRAWING NO<br>番号<br>C-170823    | RESTRICTED TO<br>— |                  |           |
|   | APPLICATION SPEC<br>取付適用規格     | WEIGHT          |                    | CUSTOMER DRAWING                | SCALE<br>尺度<br>2:1 | SHEET<br>3 OF 13 | REV<br>H3 |

|          |           |                 |     |             |      |     |      |
|----------|-----------|-----------------|-----|-------------|------|-----|------|
| LOC<br>J | DIST<br>— | REVISIONS<br>変更 |     |             | DATE | DWN | APVD |
|          |           | P               | LTR | DESCRIPTION |      |     |      |
|          |           | —               | —   | SEE SHEET 1 | —    | —   | —    |



1. 材質：SS-108（一般）
2. 一般公差：±0.5
3. 適用製品規格は無し
4. 品川商工発行のカタログと本図で寸法が異なる場合は本図を優先する。
5. この製品の名称はコネクタスリーブAMP00シリーズ

1. MATERIAL:SS-108(GENERAL)
2. GENERAL TOLERANCE: ±0.5
3. APPLICABLE PRODUCT SPEC NOT AVAILABLE
4. IN THE EVENT OF CONFLICT BETWEEN THE REQUIREMENTS OF THIS CUSTOMER DRAWING AND THE SHINAGAWA SHOKO CO LTD CATALOG THIS CUSTOMER DRAWING SHALL TAKE PRECEDENCE
5. THIS PRODUCT NAME FLAG TYPE CONNECT SLEEVE AMP00 SERIES

|          |       |                      |             |
|----------|-------|----------------------|-------------|
| OBSELETE | CLEAR | 230025W              | 3-170823-7  |
|          | COLOR | △ SHINAGAWA SHOKO PN | PART NUMBER |

|  |                            |                      |                    |                    |
|--|----------------------------|----------------------|--------------------|--------------------|
| DIMENSIONS:<br>単位： 耗<br>mm                     | DWN<br>A. YAMAGUCHI        | 31AUG00              | MATERIAL<br>材料     | FINISH<br>仕上       |
|  | CHK<br>D. MATSUURA         | 31AUG00              | TE Connectivity    |                    |
| TOLERANCES UNLESS OTHERWISE SPECIFIED:<br>一般公差 | APVD<br>K. BETSUI          | 31AUG00              |                    |                    |
|  | 0 PLC ± -                  | PRODUCT SPEC<br>製品規格 | SIZE<br>A4         | CAGE CODE<br>00779 |
| 1 PLC ± -                                      | APPLICATION SPEC<br>取付適用規格 | WEIGHT               | RESTRICTED TO<br>— |                    |
| 2 PLC ± -                                      |                            |                      | SCALE<br>尺度<br>2:1 |                    |
| 3 PLC ± -                                      |                            |                      | SHEET<br>4 OF 13   |                    |
| 4 PLC ± -                                      |                            |                      | REV<br>H3          |                    |
| ANGLES ± -                                     |                            |                      | CUSTOMER DRAWING   |                    |

RELEASED FOR PUBLICATION

ALL RIGHTS RESERVED.

THIS DRAWING IS UNPUBLISHED.

By -  
COPYRIGHT -

|          |           |           |     |             |      |     |      |
|----------|-----------|-----------|-----|-------------|------|-----|------|
| LOC<br>J | DIST<br>— | REVISIONS |     |             |      |     |      |
|          |           | P         | LTR | DESCRIPTION | DATE | DWN | APVD |
|          |           | —         |     | SEE SHEET 1 | —    | —   | —    |



1. 材質：SS-108（一般）
2. 一般公差：±0.5
3. 適用製品規格は無し
4. 品川商工発行のカタログと本図で寸法が異なる場合は本図を優先する。
5. この製品の名称はコネクタスリーブAMP00シリーズ

1. MATERIAL:SS-108(GENERAL)
2. GENERAL TOLERANCE: ±0.5
3. APPLICABLE PRODUCT SPEC NOT AVAILABLE
4. IN THE EVENT OF CONFLICT BETWEEN THE REQUIREMENTS OF THIS CUSTOMER DRAWING AND THE SHINAGAWA SHOKO CO LTD CATALOG THIS CUSTOMER DRAWING SHALL TAKE PRECEDENCE
5. THIS PRODUCT NAME FLAG TYPE CONNECT SLEEVE AMP00 SERIES

|          |       |    |      |     |     |                      |             |
|----------|-------|----|------|-----|-----|----------------------|-------------|
| OBSOLETE | CLEAR | 23 | 15.5 | 3   | 6.5 | 236525W              | 4-170823-2  |
| OBSOLETE |       | 21 | 13.5 |     | 4   | 234025W              | 4-170823-0  |
| OBSOLETE |       | 25 | 17.5 | 3.5 | 8   | 238025W              | 3-170823-6  |
|          | COLOR | L  | L1   | W2  | W1  | △ SHINAGAWA SHOKO PN | PART NUMBER |

RELEASED FOR PUBLICATION

ALL RIGHTS RESERVED.

THIS DRAWING IS UNPUBLISHED.

COPYRIGHT - By -

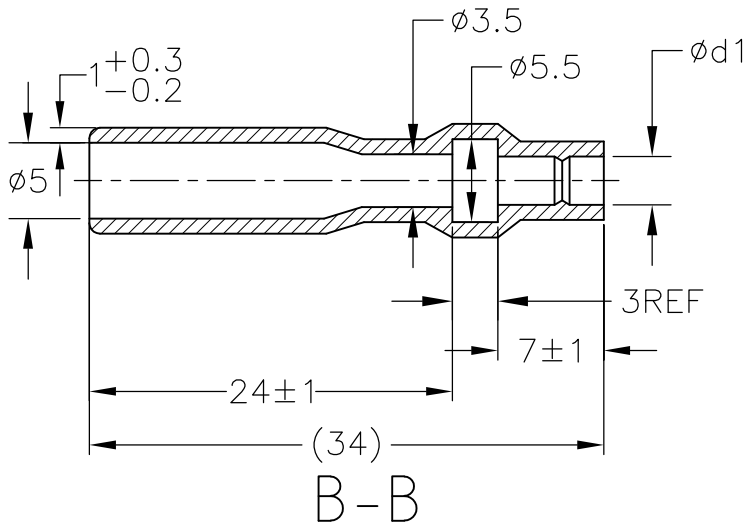
DIMENSIONS:  
単位： 耗  
mm

TOLERANCES UNLESS OTHERWISE SPECIFIED:  
一般公差

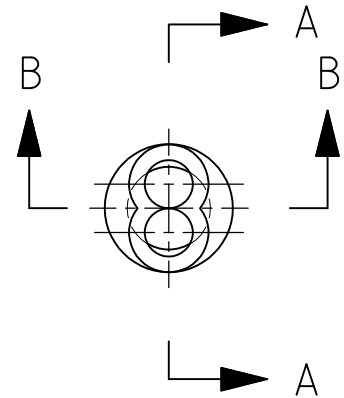
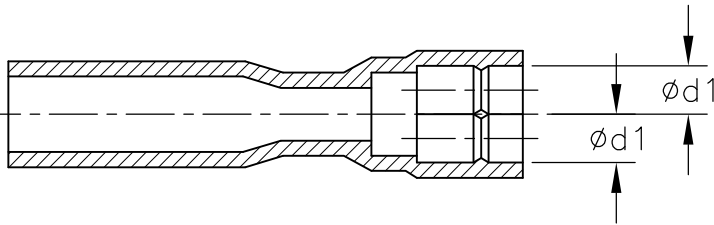
|        |     |
|--------|-----|
| 0 PLC  | ± - |
| 1 PLC  | ± - |
| 2 PLC  | ± - |
| 3 PLC  | ± - |
| 4 PLC  | ± - |
| ANGLES | ± - |

|                            |         |                                 |           |                  |               |
|----------------------------|---------|---------------------------------|-----------|------------------|---------------|
| DWN<br>A. YAMAGUCHI        | 31AUG00 | MATERIAL<br>材料                  | —         | FINISH<br>仕上     | —             |
| CHK<br>D. MATSUURA         | 31AUG00 | <br>TE Connectivity             |           |                  |               |
| APVD<br>K. BETSUI          | 31AUG00 |                                 |           |                  |               |
| PRODUCT SPEC<br>製品規格       | —       | NAME<br>名称<br>INSULATION SLEEVE |           |                  |               |
| APPLICATION SPEC<br>取付適用規格 | —       | SIZE                            | CAGE CODE | DRAWING NO<br>番号 | RESTRICTED TO |
| WEIGHT                     | —       | A4                              | 00779     | 170823           | —             |
| CUSTOMER DRAWING           |         |                                 |           |                  | SCALE<br>尺度   |
|                            |         |                                 |           |                  | 2:1           |
|                            |         |                                 |           |                  | SHEET         |
|                            |         |                                 |           |                  | 5 OF 13       |
|                            |         |                                 |           |                  | REV           |
|                            |         |                                 |           |                  | H3            |

|          |           |                 |     |             |      |     |      |
|----------|-----------|-----------------|-----|-------------|------|-----|------|
| LOC<br>J | DIST<br>— | REVISIONS<br>変更 |     |             | DATE | DWN | APVD |
|          |           | P               | LTR | DESCRIPTION |      |     |      |
|          |           |                 |     | SEE SHEET 1 | —    | —   | —    |



ROTATED CW 90°



1. 材質：SS-108 (一般)  
 2. 一般公差：±0.5  
 3. 適用製品規格は無し  
 4. 品川商工発行のカタログと本図で寸法が異なる場合は本図を優先する。  
 5. この製品の名称はコネクタスリーブ 5DIAシリーズシュワープラグ リセプタクル

1. MATERIAL:SS-108(GENERAL)  
 2. GENERAL TOLERANCE: ±0.5  
 3. APPLICABLE PRODUCT SPEC NOT AVAILABLE  
 4. IN THE EVENT OF CONFLICT BETWEEN THE REQUIREMENTS OF THIS CUSTOMER DRAWING AND THE SHINAGAWA SHOKO CO LTD CATALOG THIS CUSTOMER DRAWING SHALL TAKE PRECEDENCE  
 5. THIS PRODUCT NAME : CONNECT SLEEVE 5DIA SERIES SHUR PLUG RECEPTACLE  
 6. OBSOLETE PARTS: OBSOLETE CIS STREAMLINING PER D.RENAUD/D.SINISI

|               |       |     |                      |                       |
|---------------|-------|-----|----------------------|-----------------------|
| ⚠<br>OBSOLETE | CLEAR | 2.5 | 215025W              | <del>4-170823-3</del> |
|               |       | 3.2 | 215032W              | <del>3-170823-3</del> |
|               | COLOR | φd1 | ⚠ SHINAGAWA SHOKO PN | PART NUMBER           |

RELEASED FOR PUBLICATION

ALL RIGHTS RESERVED.

THIS DRAWING IS UNPUBLISHED.

By -  
COPYRIGHT -

|   |                                |                              |                    |
|---|--------------------------------|------------------------------|--------------------|
| DIMENSIONS:<br>単位：耗<br>mm   | DWN<br>A. YAMAGUCHI<br>31AUG00 | MATERIAL<br>材料               | FINISH<br>仕上       |
|   | CHK<br>D. MATSUURA<br>31AUG00  | TE Connectivity              |                    |
| TOLERANCES UNLESS OTHERWISE SPECIFIED:<br>一般公差                              | APVD<br>K. BETSUI<br>31AUG00   | INSULATION SLEEVE            |                    |
|   | PRODUCT SPEC<br>製品規格           | NAME<br>名称                   | RESTRICTED TO      |
| 0 PLC ± -<br>1 PLC ± -<br>2 PLC ± -<br>3 PLC ± -<br>4 PLC ± -<br>ANGLES ± - | APPLICATION SPEC<br>取付適用規格     | SIZE<br>A4                   | CAGE CODE<br>00779 |
|   | WEIGHT                         | DRAWING NO<br>番号<br>C-170823 | SCALE<br>尺度<br>2:1 |
| CUSTOMER DRAWING  |                                | SHEET<br>6 OF 13             | REV<br>H3          |

|          |           |                 |     |             |      |     |      |
|----------|-----------|-----------------|-----|-------------|------|-----|------|
| LOC<br>J | DIST<br>— | REVISIONS<br>変更 |     |             | DATE | DWN | APVD |
|          |           | P               | LTR | DESCRIPTION |      |     |      |
|          |           |                 | —   | SEE SHEET 1 | —    | —   | —    |



A - A

1. 材質：SS-108（一般）
2. 一般公差：±0.5
3. 適用製品規格は無し
- △4 品川商工発行のカタログと本図で寸法が異なる場合は本図を優先する。
5. この製品の名称はコネクタスリーブ 5DIA シリーズ シュワープラグリセプタクル

1. MATERIAL:SS-108(GENERAL)
2. GENERAL TOLERANCE: ±0.5
3. APPLICABLE PRODUCT SPEC NOT AVAILABLE
- △4 IN THE EVENT OF CONFLICT BETWEEN THE REQUIREMENTS OF THIS CUSTOMER DRAWING AND THE SHINAGAWA SHOKO CO LTD CATALOG THIS CUSTOMER DRAWING SHALL TAKE PRECEDENCE
5. THIS PRODUCT NAME FLAG TYPE CONNECT SLEEVE 5DIA SERIES SHUR PLUG RECEPTACLE

△6 OBSOLETE PARTS: OBSOLETE CIS STREAMLINING PER D.RENAUD/D.SINISI

|                |       |    |    |      |     |                      |                       |
|----------------|-------|----|----|------|-----|----------------------|-----------------------|
| △6<br>OBSOLETE | CLEAR | 33 | 6  | 24.5 | 2.8 | 215028               | <del>3-170823-5</del> |
|                |       | 47 | 7  | 37.5 | 3.2 | 215032-1             | <del>2-170823-9</del> |
|                | COLOR | L  | L2 | L1   | øD  | △ SHINAGAWA SHOKO PN | PART NUMBER           |

RELEASED FOR PUBLICATION

ALL RIGHTS RESERVED.

THIS DRAWING IS UNPUBLISHED.

COPYRIGHT - By -

|  |                            |                   |                 |                  |               |
|--|----------------------------|-------------------|-----------------|------------------|---------------|
| DIMENSIONS:<br>単位：耗<br>mm                      | DWN<br>A. YAMAGUCHI        | 31AUG00           | MATERIAL<br>材料  | FINISH<br>仕上     |               |
|  | CHK<br>D. MATSUURA         | 31AUG00           | TE Connectivity |                  |               |
| TOLERANCES UNLESS OTHERWISE SPECIFIED:<br>一般公差 | APVD<br>K. BETSUI          | 31AUG00           |                 |                  |               |
|  | PRODUCT SPEC<br>製品規格       | INSULATION SLEEVE |                 |                  |               |
| 0 PLC ± -                                      | APPLICATION SPEC<br>取付適用規格 | SIZE              | CAGE CODE       | DRAWING NO<br>番号 | RESTRICTED TO |
| 1 PLC ± -                                      | WEIGHT                     | A4                | 00779           | C-170823         | —             |
| 2 PLC ± -                                      |                            | CUSTOMER DRAWING  |                 |                  | SCALE<br>尺度   |
| 3 PLC ± -                                      |                            |                   |                 |                  | 2:1           |
| 4 PLC ± -                                      |                            |                   |                 |                  | SHEET         |
| ANGLES ± -                                     |                            |                   |                 |                  | 7 OF 13       |
|  |                            |                   |                 |                  | REV           |
|  |                            |                   |                 |                  | H3            |

|          |           |                 |     |             |      |     |      |
|----------|-----------|-----------------|-----|-------------|------|-----|------|
| LOC<br>J | DIST<br>— | REVISIONS<br>変更 |     |             | DATE | DWN | APVD |
|          |           | P               | LTR | DESCRIPTION |      |     |      |
|          |           |                 | —   | SEE SHEET 1 | —    | —   | —    |



1. 材質：SS-108（一般）
2. 一般公差：±0.5
3. 適用製品規格は無し
- △ 品川商工発行のカタログと本図で寸法が異なる場合は本図を優先する。
5. この製品の名称はコネクタスリーブ 5DIAシリーズシュワープラグ

1. MATERIAL:SS-108(GENERAL)
2. GENERAL TOLERANCE: ±0.5
3. APPLICABLE PRODUCT SPEC NOT AVAILABLE
- △ IN THE EVENT OF CONFLICT BETWEEN THE REQUIREMENTS OF THIS CUSTOMER DRAWING AND THE SHINAGAWA SHOKO CO LTD CATALOG THIS CUSTOMER DRAWING SHALL TAKE PRECEDENCE
5. THIS PRODUCT NAME CONNECT SLEEVE 5DIA SERIES SHUR PLUG
- △ OBSOLETE PARTS: OBSOLETE CIS STREAMLINING PER D.RENAUD/D.SINISI

|            |          |       |     |                      |             |
|------------|----------|-------|-----|----------------------|-------------|
| △ OBSOLETE | OBSOLETE | CLEAR | 2.2 | 224222               | 5-170823-1  |
|            | OBSOLETE |       | 2.8 | 224228               | 3-170823-4  |
|            |          | COLOR | φ D | △ SHINAGAWA SHOKO PN | PART NUMBER |

THIS DRAWING IS UNPUBLISHED. ALL RIGHTS RESERVED.

|  |                                 |                              |                    |
|--|---------------------------------|------------------------------|--------------------|
| DIMENSIONS:<br>単位：耗<br>mm                      | DWN<br>A. YAMAGUCHI<br>31AUG00  | MATERIAL<br>材料<br>—          | FINISH<br>仕上<br>—  |
|  | CHK<br>D. MATSUURA<br>31AUG00   | TE Connectivity              |                    |
| TOLERANCES UNLESS OTHERWISE SPECIFIED:<br>一般公差 | APVD<br>K. BETSUI<br>31AUG00    |                              |                    |
| 0 PLC ± -                                      | PRODUCT SPEC<br>製品規格<br>—       | SIZE<br>A4                   | CAGE CODE<br>00779 |
| 1 PLC ± -                                      | APPLICATION SPEC<br>取付適用規格<br>— | DRAWING NO<br>番号<br>C-170823 | RESTRICTED TO<br>— |
| 2 PLC ± -                                      | WEIGHT<br>—                     | SCALE<br>尺度<br>4:1           | SHEET<br>8 OF 13   |
| 3 PLC ± -                                      |                                 |                              | REV<br>H3          |
| 4 PLC ± -                                      |                                 |                              |                    |
| ANGLES ± -                                     |                                 |                              |                    |
| CUSTOMER DRAWING                               |                                 |                              |                    |



|          |           |                 |     |             |      |     |      |
|----------|-----------|-----------------|-----|-------------|------|-----|------|
| LOC<br>J | DIST<br>— | REVISIONS<br>変更 |     |             | DATE | DWN | APVD |
|          |           | P               | LTR | DESCRIPTION |      |     |      |
|          |           |                 | —   | SEE SHEET 1 | —    | —   | —    |



A-A

- 1. 材質：SS-108（一般）
- 2. 一般公差：±0.5
- 3. 適用製品規格は無し
- △4 品川商工発行のカタログと本図で寸法が異なる場合は本図を優先する。
- 5. この製品の名称はコネクトスリーブ AMP00シリーズ

- 1. MATERIAL:SS-108(GENERAL)
- 2. GENERAL TOLERANCE: ±0.5
- 3. APPLICABLE PRODUCT SPEC NOT AVAILABLE
- △4 IN THE EVENT OF CONFLICT BETWEEN THE REQUIREMENTS OF THIS CUSTOMER DRAWING AND THE SHINAGAWA SHOKO CO LTD CATALOG THIS CUSTOMER DRAWING SHALL TAKE PRECEDENCE
- 5. THIS PRODUCT NAME FLAG TYPE CONNECT SLEEVE AMP00 SERIES

△6 OBSOLETE PARTS: OBSOLETE CIS STREAMLINING PER D.RENAUD/D.SINISI

|             |       |                      |             |
|-------------|-------|----------------------|-------------|
| △6 OBSOLETE | CLEAR | 230032-1             | 2-170823-1  |
|             | COLOR | △ SHINAGAWA SHOKO PN | PART NUMBER |

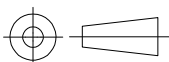
RELEASED FOR PUBLICATION

ALL RIGHTS RESERVED.

THIS DRAWING IS UNPUBLISHED.

COPYRIGHT - By -

|  |                            |                    |                            |                    |
|--|----------------------------|--------------------|----------------------------|--------------------|
| DIMENSIONS:<br>単位：耗<br>mm                      | DWN<br>A. YAMAGUCHI        | 31AUG00            | MATERIAL<br>材料             | FINISH<br>仕上       |
|  | CHK<br>D. MATSUURA         | 31AUG00            | TE Connectivity            |                    |
| TOLERANCES UNLESS OTHERWISE SPECIFIED:<br>一般公差 | APVD<br>K. BETSUI          | 31AUG00            |                            |                    |
|  | PRODUCT SPEC<br>製品規格       | SIZE<br>A4         |                            |                    |
| 0 PLC ± -                                      | APPLICATION SPEC<br>取付適用規格 | CAGE CODE<br>00779 | DRAWING NO<br>番号<br>170823 | RESTRICTED TO<br>— |
| 1 PLC ± -                                      | WEIGHT                     | CUSTOMER DRAWING   |                            |                    |
| 2 PLC ± -                                      | SCALE<br>尺度 2:1            |                    |                            | SHEET 9 OF 13      |
| 3 PLC ± -                                      | REV H3                     |                    |                            |                    |
| 4 PLC ± -                                      |                            |                    |                            |                    |
| ANGLES ± -                                     |                            |                    |                            |                    |



THIS DRAWING IS UNPUBLISHED. RELEASED FOR PUBLICATION  
 © COPYRIGHT - By - ALL RIGHTS RESERVED.

| LOC | DIST | REVISIONS |     |             |      |     |      |
|-----|------|-----------|-----|-------------|------|-----|------|
|     |      | P         | LTR | DESCRIPTION | DATE | DWN | APVD |
| J   | -    | -         | -   | SEE SHEET 1 | -    | -   | -    |

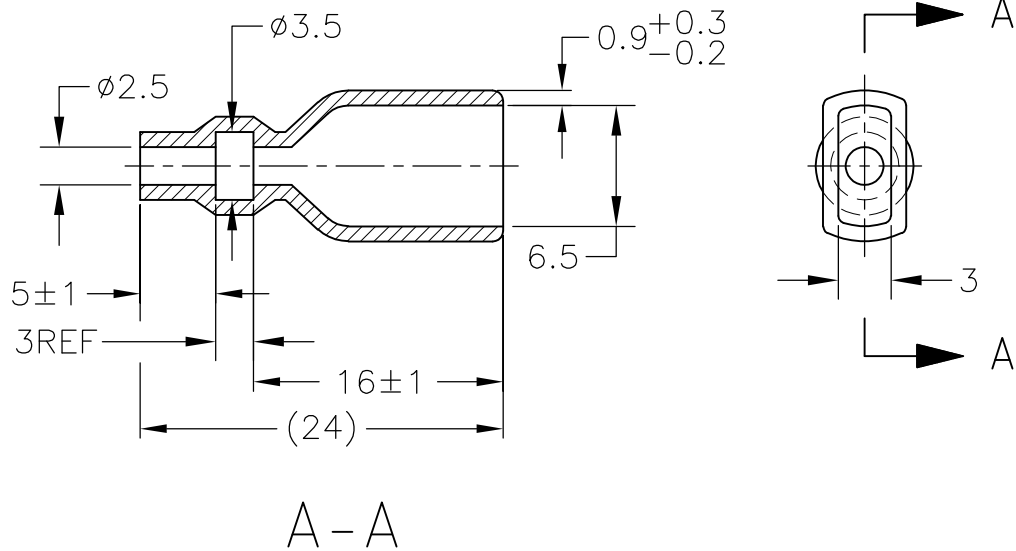


- 1. 材質：SS-108（一般）
- 2. 一般公差：±0.5
- 3. 適用製品規格は無し
- ⚠ 品川商工発行のカタログと本図で寸法が異なる場合は本図を優先する。
- 1. MATERIAL:SS-108(GENERAL)
- 2. GENERAL TOLERANCE: ±0.5
- 3. APPLICABLE PRODUCT SPEC NOT AVAILABLE
- ⚠ IN THE EVENT OF CONFLICT BETWEEN THE REQUIREMENTS OF THIS CUSTOMER DRAWING AND THE SHINAGAWA SHOKO CO LTD CATALOG THIS CUSTOMER DRAWING SHALL TAKE PRECEDENCE
- ⚠ OBSOLETE PARTS: OBSOLETE CIS STREAMLINING PER D.RENAUD/D.SINISI

|            |        |      |      |      |     |                    |             |                       |
|------------|--------|------|------|------|-----|--------------------|-------------|-----------------------|
| OBSOLETE   | YELLOW | 24   | 16.5 | 2.5  | 4.5 | 2.5                | 238025-2    | 4-170823-8            |
| OBSOLETE   | RED    |      |      |      |     | 2.5                | 238025-1    | 4-170823-7            |
| OBSOLETE   | CLEAR  | 25   | 17.5 | 3    | 5   | 4                  | 238040      | 4-170823-9            |
| OBSOLETE   | BROWN  |      |      |      |     |                    | 238032-3    | 3-170823-2            |
| OBSOLETE   | BLUE   | 24.5 | 17.0 | 2.5  | 4.7 | 3.2                | 238032-2    | 3-170823-1            |
| ⚠ OBSOLETE | CLEAR  |      | 16.5 |      |     | 3.5                | 238035-3    | <del>2-170823-7</del> |
|            |        | 40.5 | 32.5 | 3    | 4.5 | 3.5                | 238035-2    | 2-170823-0            |
|            |        | 35.5 | 27.5 |      |     | 3.5                | 238035-1    | 1-170823-9            |
|            |        | 27   | 19.5 | 2.5  | 4.7 | 3.2                | 238032-1    | 1-170823-8            |
| ⚠ OBSOLETE |        | 45   | 37.5 | 3    | 3.2 | 2                  | 238020-1    | 4-170823-7            |
|            |        | 25   | 17.5 | 2.5  | 5.3 | 3.8                | 238038      | 1-170823-6            |
|            |        | 24   | 16.0 | 3    | 4.5 | 3.5                | 238035      | 1-170823-5            |
| ⚠ OBSOLETE |        | 27   | 19.5 |      | 7.5 | 6                  | 238060      | <del>1-170823-7</del> |
|            |        | 25   | 17.5 | 2.5  | 6.3 | 4.8                | 238048      | 170823-6              |
|            |        | 24   | 16.5 |      | 4.7 | 3.2                | 238032      | 170823-4              |
|            |        | 16.0 | 3    | 3.2  | 2   | 238020             | 170823-3    |                       |
|            |        |      | 3    | 4.5  | 2.5 | 238025             | 170823-2    |                       |
| COLOR      | L      | L2   | L1   | φ D1 | φ D | SHINAGAWA SHOKO PN | PART NUMBER |                       |

|   |  |                                |                            |               |
|---|--|--------------------------------|----------------------------|---------------|
| THIS DRAWING IS A CONTROLLED DOCUMENT.      |  | DWN<br>A. YAMAGUCHI<br>31AUG00 | <b>STE</b> TE Connectivity |               |
| DIMENSIONS: 単位：mm                           |  | CHK<br>D. MATSUURA<br>31AUG02  |                            |               |
| TOLERANCES UNLESS OTHERWISE SPECIFIED: 一般公差 |  | APVD<br>K. BETSUI<br>31AUG02   | NAME 名称                    |               |
| 0 PLC ± -                                   |  | PRODUCT SPEC 製品規格              | INSULATION SLEEVE          |               |
| 1 PLC ± -                                   |  | APPLICATION SPEC 取付適用規格        | SIZE                       | CAGE CODE     |
| 2 PLC ± -                                   |  | WEIGHT                         | A3                         | 00779         |
| 3 PLC ± -                                   |  | CUSTOMER DRAWING               | DRAWING NO 番号              | RESTRICTED TO |
| 4 PLC ± -                                   |  |                                | G-170823                   |               |
| ANGLES ± -                                  |  | SCALE 尺度                       | SHEET                      | REV           |
| FINISH 仕上                                   |  | 2:1                            | 10 OF 13                   | H3            |
| MATERIAL 材料                                 |  |                                |                            |               |

|          |           |                 |     |             |      |     |      |
|----------|-----------|-----------------|-----|-------------|------|-----|------|
| LOC<br>J | DIST<br>— | REVISIONS<br>変更 |     |             | DATE | DWN | APVD |
|          |           | P               | LTR | DESCRIPTION |      |     |      |
|          |           |                 | —   | SEE SHEET 1 | —    | —   | —    |



1. 材質：SS-108（一般）
2. 一般公差：±0.5
3. 適用製品規格は無し
- ⚠ 品川商工発行のカタログと本図で寸法が異なる場合は本図を優先する。
5. この製品の名称はコネクタスリーブAMP205シリーズ

1. MATERIAL:SS-108(GENERAL)
2. GENERAL TOLERANCE: ±0.5
3. APPLICABLE PRODUCT SPEC NOT AVAILABLE
- ⚠ IN THE EVENT OF CONFLICT BETWEEN THE REQUIREMENTS OF THIS CUSTOMER DRAWING AND THE SHINAGAWA SHOKO CO LTD CATALOG THIS CUSTOMER DRAWING SHALL TAKE PRECEDENCE
5. THIS PRODUCT NAME FLAG TYPE CONNECT SLEEVE AMP205 SERIES

|       |                      |             |
|-------|----------------------|-------------|
| CLEAR | 236525               | 4-170823-1  |
| COLOR | △ SHINAGAWA SHOKO PN | PART NUMBER |

THIS DRAWING IS UNPUBLISHED. ALL RIGHTS RESERVED.

COPYRIGHT - By -

|  |                            |                   |                 |                  |
|--|----------------------------|-------------------|-----------------|------------------|
| DIMENSIONS:<br>単位： 耗<br>mm                     | DWN<br>A. YAMAGUCHI        | 31AUG00           | MATERIAL<br>材料  | FINISH<br>仕上     |
|  | CHK<br>D. MATSUURA         | 31AUG00           | TE Connectivity |                  |
| TOLERANCES UNLESS OTHERWISE SPECIFIED:<br>一般公差 | APVD<br>K. BETSUI          | 31AUG00           |                 |                  |
|  | PRODUCT SPEC<br>製品規格       | INSULATION SLEEVE |                 | RESTRICTED TO    |
| 0 PLC ± -                                      | APPLICATION SPEC<br>取付適用規格 | SIZE              | CAGE CODE       | DRAWING NO<br>番号 |
| 1 PLC ± -                                      | WEIGHT                     | A4                | 00779           | 170823           |
| 2 PLC ± -                                      |                            | CUSTOMER DRAWING  |                 | SCALE<br>尺度      |
| 3 PLC ± -                                      |                            | SCALE 2:1         |                 | SHEET 11 OF 13   |
| 4 PLC ± -                                      |                            |                   | REV H3          |                  |
| ANGLES ± -                                     |                            |                   |                 |                  |

|          |           |                 |     |             |   |      |     |      |
|----------|-----------|-----------------|-----|-------------|---|------|-----|------|
| LOC<br>J | DIST<br>— | REVISIONS<br>変更 |     |             |   | DATE | DWN | APVD |
|          |           | P               | LTR | DESCRIPTION |   |      |     |      |
|          |           |                 | —   | SEE SHEET 1 | — | —    | —   |      |



1. 材質：SS-108（一般）
2. 一般公差：±0.5
3. 適用製品規格は無し
- △4 品川商工発行のカタログと本図で寸法が異なる場合は本図を優先する。
5. この製品の名称はコネクタスリーブ AMP187シリーズ

1. MATERIAL:SS-108(GENERAL)
2. GENERAL TOLERANCE: ±0.5
3. APPLICABLE PRODUCT SPEC NOT AVAILABLE
- △4 IN THE EVENT OF CONFLICT BETWEEN THE REQUIREMENTS OF THIS CUSTOMER DRAWING AND THE SHINAGAWA SHOKO CO LTD CATALOG THIS CUSTOMER DRAWING SHALL TAKE PRECEDENCE
5. THIS PRODUCT NAME FLAG TYPE CONNECT SLEEVE AMP187 SERIES
- △6 OBSOLETE PARTS: OBSOLETE CIS STREAMLINING PER D.RENAUD/D.SINISI

|             |       |    |      |     |     |                      |                       |
|-------------|-------|----|------|-----|-----|----------------------|-----------------------|
| △6 OBSOLETE | CLEAR | 23 | 15.5 | 3.3 | 1.8 | 235818               | <del>2-170823-5</del> |
|             |       | 20 | 12.5 | 3.5 | 2.5 | 235825-1             | 1-170823-4            |
|             |       | 23 | 15.5 | 3.7 | 2.2 | 235822               | 1-170823-3            |
|             | COLOR | L  | L1   | φD2 | φD1 | △ SHINAGAWA SHOKO PN | PART NUMBER           |

THIS DRAWING IS UNPUBLISHED. RELEASED FOR PUBLICATION. ALL RIGHTS RESERVED.

|   |                                |                    |                    |                                 |                    |
|---|--------------------------------|--------------------|--------------------|---------------------------------|--------------------|
| DIMENSIONS:<br>単位：耗<br>mm   | DWN<br>A. YAMAGUCHI<br>31AUG00 | MATERIAL<br>材料     | FINISH<br>仕上       |                                 |                    |
|   | CHK<br>D. MATSUURA<br>31AUG00  | TE Connectivity    |                    |                                 |                    |
| TOLERANCES UNLESS OTHERWISE SPECIFIED:<br>一般公差                              | APVD<br>K. BETSUI<br>31AUG00   |                    |                    | NAME<br>名称<br>INSULATION SLEEVE |                    |
|   | PRODUCT SPEC<br>製品規格           | SIZE<br>A4         | CAGE CODE<br>00779 | DRAWING NO<br>番号<br>C-170823    | RESTRICTED TO<br>— |
| 0 PLC ± -<br>1 PLC ± -<br>2 PLC ± -<br>3 PLC ± -<br>4 PLC ± -<br>ANGLES ± - | APPLICATION SPEC<br>取付適用規格     | SCALE<br>尺度<br>2:1 |                    | SHEET<br>12 OF 13               | REV<br>H3          |
| WEIGHT  |                                | CUSTOMER DRAWING   |                    |                                 |                    |

THIS DRAWING IS UNPUBLISHED. RELEASED FOR PUBLICATION  
 © COPYRIGHT - By - ALL RIGHTS RESERVED.

| LOC | DIST | REVISIONS |     |             |      |     |      |
|-----|------|-----------|-----|-------------|------|-----|------|
| J   | -    | P         | LTR | DESCRIPTION | DATE | DWN | APVD |
|     |      | -         |     | SEE SHEET 1 | -    | -   | -    |



- 1. 材質：SS-108（一般）
- 2. 一般公差：±0.5
- 3. 適用製品規格は無し
- △4 品川商工発行のカタログと本図で寸法が異なる場合は本図を優先する。
- 1. MATERIAL:SS-108(GENERAL)
- 2. GENERAL TOLERANCE: ±0.5
- 3. APPLICABLE PRODUCT SPEC NOT AVAILABLE
- △4 IN THE EVENT OF CONFLICT BETWEEN THE REQUIREMENTS OF THIS CUSTOMER DRAWING AND THE SHINAGAWA SHOKO CO LTD CATALOG THIS CUSTOMER DRAWING SHALL TAKE PRECEDENCE
- △5 OBSOLETE PARTS: OBSOLETE CIS STREAMLINING PER D.RENAUD/D.SINISI

|    |          |        |      |      |          |            |            |          |                    |                       |
|----|----------|--------|------|------|----------|------------|------------|----------|--------------------|-----------------------|
| △5 | OBSOLETE | CLEAR  | 37   | 29.5 | 5        | 3.5        | 2.5        | 2        | 234025-4           | <del>5-170823-4</del> |
|    | OBSOLETE |        |      |      |          | 4.3        | 2.8        | 2.1      | 234028             | 5-170823-3            |
| △5 | OBSOLETE | YELLOW | 21   | 13.5 |          | 3.5        | 2.5        | 2        | 234025-3           | <del>4-170823-6</del> |
|    | OBSOLETE | RED    |      |      |          | 234025-2   | 4-170823-5 |          |                    |                       |
|    |          | BLACK  |      |      |          | 3.3        | 1.8        | 2.1      | 234018-4           | 2-170823-4            |
|    | OBSOLETE | CLEAR  | 23   | 15.5 | 3.5      | 2.5        |            | 234025-1 | 2-170823-3         |                       |
| △5 | OBSOLETE |        |      |      | 30       | 22.5       | 3.8        | 3        | 2                  | 234030-1              |
|    |          |        | 23   | 15.5 | 3.4      | 1.8        | 2.1        | 234018-2 | 1-170823-2         |                       |
|    |          |        | 21   | 13.5 | 234018-1 | 1-170823-1 |            |          |                    |                       |
|    |          |        | 18   | 12.5 | 3        | 3.8        | 3          | 2        | 234030             | 1-170823-0            |
|    |          | 21     | 13.5 | 5    | 3.3      | 1.8        | 2.1        | 234018   | 170823-9           |                       |
|    |          |        |      |      | 2.8      | 1.6        |            | 234016   | 170823-8           |                       |
|    |          |        |      |      | 3.5      | 2.5        | 2          | 234025   | 170823-1           |                       |
|    | COLOR    |        | L    | L2   | L1       | $\phi d2$  | $\phi d1$  | W        | SHINAGAWA SHOKO PN | PART NUMBER           |

|   |  |                                |                            |           |                  |
|---|--|--------------------------------|----------------------------|-----------|------------------|
| THIS DRAWING IS A CONTROLLED DOCUMENT.                                      |  | DWN<br>A. YAMAGUCHI<br>31AUG00 | <b>STE</b> TE Connectivity |           |                  |
|   |  | CHK<br>D. MATSUURA<br>31AUG02  |                            |           |                  |
| DIMENSIONS:<br>単位：mm  |  | APVD<br>K. BETSUI<br>31AUG02   | NAME<br>名称                 |           |                  |
| TOLERANCES UNLESS OTHERWISE SPECIFIED:<br>一般公差                              |  | PRODUCT SPEC<br>製品規格           | INSULATION SLEEVE          |           |                  |
| 0 PLC ± -<br>1 PLC ± -<br>2 PLC ± -<br>3 PLC ± -<br>4 PLC ± -<br>ANGLES ± - |  | APPLICATION SPEC<br>取付適用規格     | SIZE                       | CAGE CODE | DRAWING NO<br>番号 |
| MATERIAL<br>材料  |  | WEIGHT                         | A3                         | 00779     | G-170823         |
|   |  | CUSTOMER DRAWING               | SCALE<br>尺度                | SHEET     | REV              |
|   |  |                                | 2:1                        | 13 OF 13  | H3               |

# Mouser Electronics

Authorized Distributor

Click to View Pricing, Inventory, Delivery & Lifecycle Information:

[TE Connectivity:](#)

[1-170823-9](#)