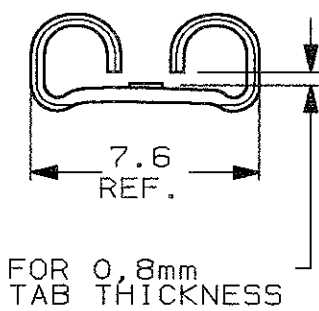
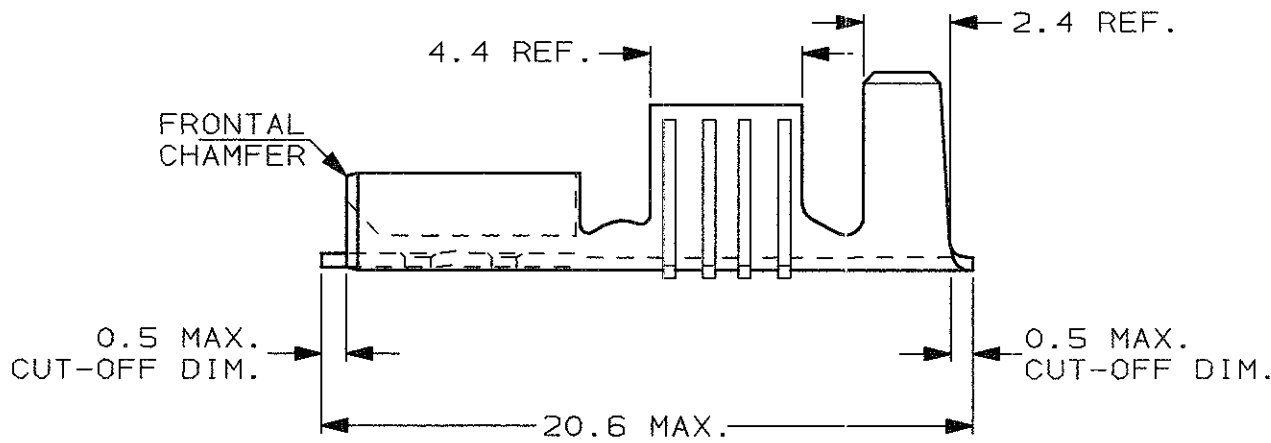
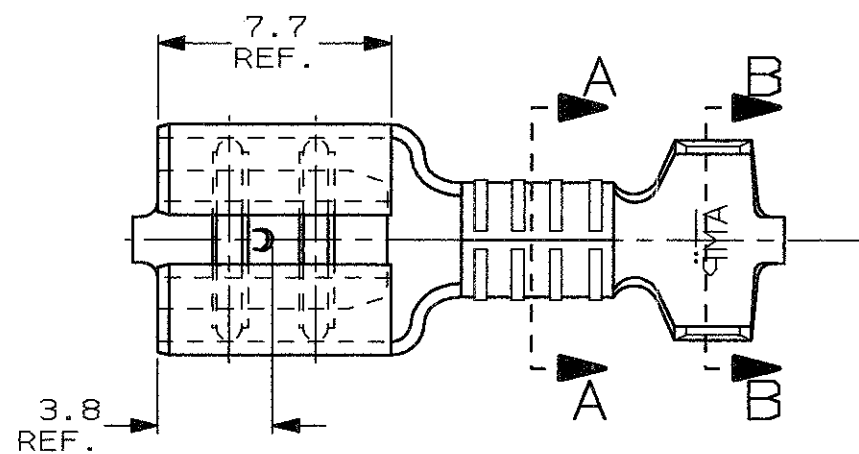


SCALA NON IMPEGNATIVA
(DO NOT SCALE)
DIMENSIONI IN mm
(DIMENSIONS IN mm)

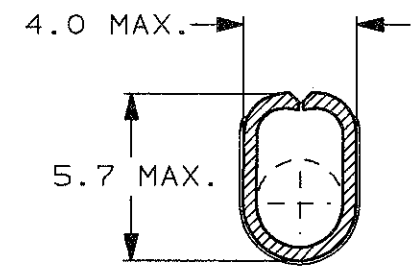
METRIC



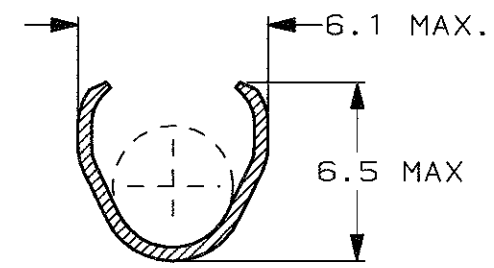
1) PER LE VERSIONI A NASTRO VEDERE DISEGNO 160301.
(FOR STRIP FORM VERSION SEE DRAWING 160301).

2) OBSOLETE PARTS: OBSOLETE CIS STREAMLINING PER D.RENAUD/D.SINISI

SEZIONE A-A
SECTION A-A



SEZIONE B-B
SECTION B-B



2) OBSOLETE

STAGNATO (TIN PLATED)	BRONZO FOS. (PHOS. BRONZE)	1-160305-9	R
ARGENTATO (SILVER PLATED)	BRONZO FOS. (PHOS. BRONZE)	1-160305-8	R
STAGNATO (TIN PLATED)	OTTONE (BRASS)	1-160305-6	R
NUDO (UNPLATED)	BRONZO FOS. (PHOS. BRONZE)	1-160305-4	R
NUDO (UNPLATED)	OTTONE (BRASS)	1-160305-3	R
FINITURA / COLORE (FINISH / COLOUR)	MATERIALE (MATERIAL)	NUMERO (PART NUMBER)	REV

CUSTOMER DWG. FOR REFERENCE ONLY DISEGNO PER CLIENTE SOLO PER RIFERIMENTO

THIS DRAWING IS UNPUBLISHED RELEASE FOR PUBLICATION 19

© COPYRIGHT 19 BY AMP INCORPORATED, HARRISBURG, PA. ALL INTERNATIONAL RIGHTS RESERVED. AMP PRODUCTS MAY BE COVERED BY U.S. AND FOREIGN PATENT AND/OR PATENT PENDING

TOLLERANZE, SE NON DIVERSAMENTE SPECIFICATO (TOLERANCES, UNLESS OTHERWISE SPECIFIED)	DIAM. ISOLANTE (INS. DIA. RANGE)	RANGO FILO (WIRE RANGE)	SCALA (SCALE)
± 0.3	3.8-5.0	4.0-6.0	4:1

ANGOLI (ANGLES) ± 2°

AMP AMP ITALIA S.p.A.
Corso F. LLI Cervi, 15
COLLEGNO (TORINO)

DIS. H. YAALI (DR.) 08 AUG 2000

DESCRIZIONE (DESCRIPTION) FASTON® Connector, .250" sr. REC. CONTACT (LOOSE PIECE VERSION)

REV.	REVISIONI (REVISION RECORD)	DIS. (DR.)	DATA (DATE)	APP. (APP.)
R1	REVISED PER ECO-09-022178	KK	21 SEP 09	CONT. C. TARTARI (CHK) 08 AUG 2000
R	OBSOLETE PARTS & REDRAWN ETOO-0246-00	H. Y.	02 JAN 2001	

LOC.	SIZE	NUMERO (DWG NO)	REV.	FOGLIO (SHEET)
I	A3	C-160305	R1	1 DI (OF) 1

DISTRIBUZIONE (PRINT/DIST.)

Mouser Electronics

Authorized Distributor

Click to View Pricing, Inventory, Delivery & Lifecycle Information:

[TE Connectivity:](#)

[1-160305-6](#)