



THE TECHNOLOGY IS EXPLAINED

技术说明

P series Military connector are used extensively in line connections between electrical equipment, various instruments and meters. These connectors have the features of small volume, light weight, convenient application, high durability of plugging and unplugging, threaded coupling, good sealing performance, high conductivity and high dielectric strength. They are made according to the standard SJ/T10496. They are for military and industrial applications.



Temperature range -55~+100℃

Humidity 40℃, 92~98%

Shock 10~200Hz 0Hz acceleration 98m/s²

impact 40~100/acceleration 70m/s² n/s²

constant acceleration acceleration 245m/s²

Insulation resistance

Normal ≥20MΩ

Ambient ≥2MΩ

Life time 500次

Technology function

技术性能

接触性特性

Contact diameter (mm)	1.5	2.5	3.5	5.5	
Contact resistance(mΩ)	2.5	1	0.5	0.3	
Current rating (A)	Number of contacts 1-20	10	25	50	100
	Number of contacts 21-30	8	20	40	80
	Number of contacts 31-48	7	17.5	35	70

额定电压

Work enviroment	Rated voltageV	Withstanding Voltage (50Hz Ac)
Normal	500	1500
Moisture	500	750
Low temperature	200	300



Marking code

标记代号

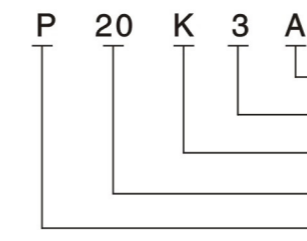
Number	Feature and contact	Mark	
1	Normal circular electric connector	P	
2	Shell size (mm) 20、28、32、40、48、55	Size number of connector	
3	Pin	J	
	Type of contact	K	
4	Code of connector	Code of number	
5	Outlet	Unseal	A
		Seal	M
	Plug	Unmark	
6	Straight	Shield	P
		Unseal	Q
	Bent	Unshield	R
		Unseal	S

Model naming

型号命名方法

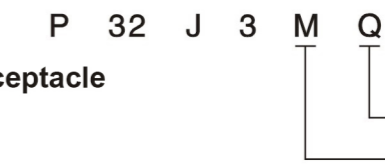
Electric connector P 20 K 3 A / P

Socket

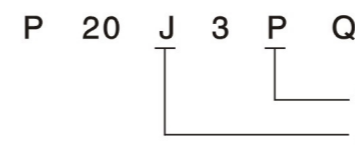


Electric connector 32 J 3 M Q / S

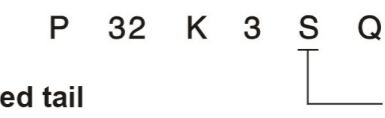
Socket



Socket



Socket





Assembly code and size

Pin	2Pin			3Pin		
Alignment mark	P20	P20	P28	P20	P20	P20
Combination code	1	2	5	3	4	5
Core composition	Φ1.5x2	Φ2.5x2	Φ3.5x2	Φ2.5x3	Φ1.5x3	Φ1.5x1 Φ2.5x2

Pin	3Pin	4Pin				
Alignment mark	P40	P20	P20	P20	P28	P28
Combination code	1	6	7	8	7	8
Core composition	Φ5.5x3	Φ2.5x4	Φ1.5x4	Φ1.5x2 Φ2.5x2	Φ1.5x4	Φ1.5x2 Φ2.5x2

Pin	4Pin			5Pin		6Pin
Alignment mark	P28	P28	P28	P20	P20	P28
Combination code	9	2	10	9	10	3
Core composition	Φ2.5x4	Φ2.5x2 Φ3.5x2	Φ1.5x2 Φ3.5x2	Φ2.5x5	Φ1.5x5	Φ1.5x4 Φ3.5x2

Pin	6Pin	7Pin				
Alignment mark	P28	P20	P28	P28	P28	P28
Combination code	11	11	4	12	13	14
Core composition	Φ1.5x6	Φ1.5x7	Φ2.5x7	Φ1.5x7	Φ1.5x5 Φ2.5x2	Φ1.5x4 Φ2.5x3



Pin	7Pin	8Pin				
Alignment mark	P28	P32	P32	P32	P32	P32
Combination code	15	2	7	8	9	9
Core composition	Φ1.5x3 Φ2.5x4	Φ2.5x8	Φ1.5x8	Φ1.5x7 Φ2.5x1	Φ1.5x4 Φ2.5x4	Φ1.5x4 Φ2.5x4

Pin	9Pin	10Pin		12Pin	
Alignment mark	P40	P32	P32	P32	P32
Combination code	2	10	11	3	12
Core composition	Φ2.5x5 Φ3.5x4	Φ1.5x10	Φ1.5x6 Φ2.5x4	Φ1.5x6 Φ2.5x6	Φ1.5x12

Pin	14Pin			
Alignment mark	P32	P40	P40	P40
Combination code	4	3	4	5
Core composition	Φ1.5x14	Φ1.5x8 Φ2.5x6	Φ1.5x12 Φ2.5x2	Φ1.5x14

Pin	15Pin		16Pin	
Alignment mark	P40	P40	P40	P40
Combination code	6	7	8	9
Core composition	Φ1.5x15	Φ1.5x13 Φ2.5x2	Φ1.5x14 Φ2.5x2	Φ1.5x16

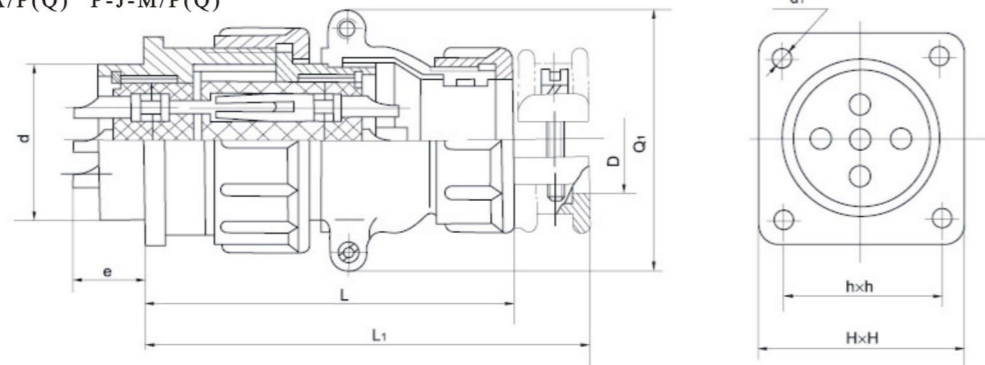


Pin	20Pin	26Pin	30Pin
Alignment mark	P48	P48	P55
Combination code	5	6	3
Core composition	Φ1.5x14 Φ 2.5x6	Φ1.5x26	Φ1.5x22 Φ 2.5x8

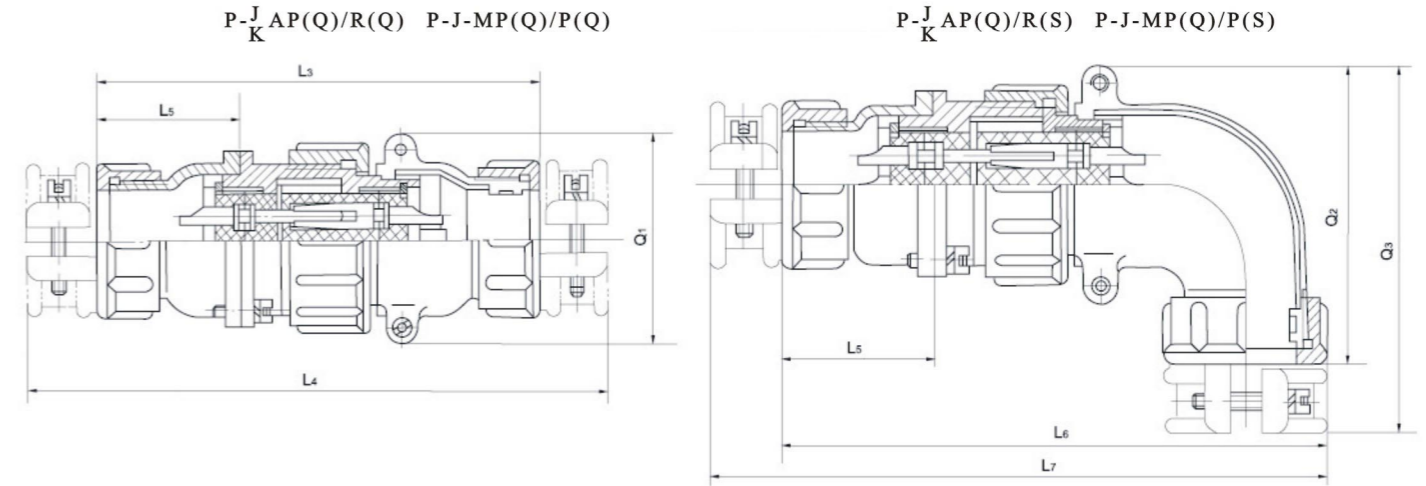
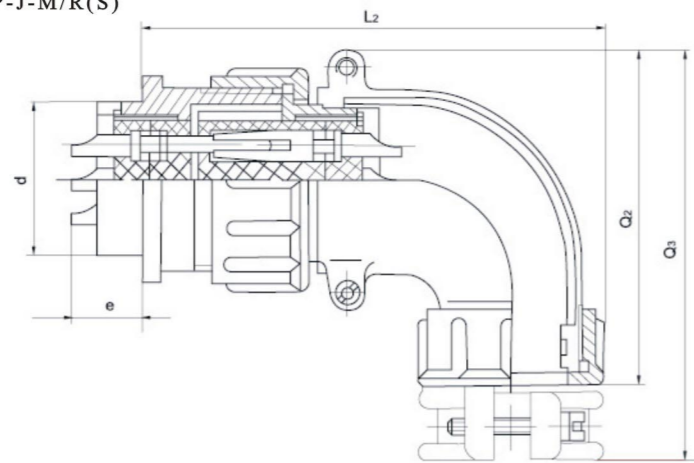
Pin	30Pin	35Pin
Alignment mark	P55	P55
Combination code	4	5
Core composition	Φ1.5x30	Φ1.5x24 Φ 2.5x6
		Φ1.5x23 Φ2.5x10 Φ3.5x2

Technology Parameter
外形及安装尺寸

P-J_K A/P(Q) P-J-M/P(Q)



P-J_K A/R(S) P-J-M/R(S)



Technology Parameter
外形及安装尺寸

Shape	Type	P20		P28		P32		P40		P48		P55	
		A	M	A	M	A	M	A	M	A	M	A	M
L		60	64	68	66	70	72	76	74	78	74	78	
L1		71	75	78	82	80	84	86	90	88	92	88	92
L2		71	75	81	85	81	85	88	92	98	102	106	110
L3		92	96	100	104	106	110	114	118	118	122	118	122
L4		114	118	128	132	134	138	142	146	146	150	146	150
L5		32		36		40		42		44		44	
L6		103	107	117	121	121	125	130	134	142	146	150	154
L7		114	118	131	135	135	139	144	148	156	160	164	168
d1		Φ3.2	Φ4.5	Φ3.5	Φ4.5	Φ3.5	Φ4.5	Φ3.5	Φ4.5	Φ3.5	Φ4.5	Φ3.5	Φ4.5
H		30	32	38	40	40	44	48	52	58	60	64	68
h		22		30		32		40		48		52	
d		Φ20		Φ28		Φ32		Φ40		Φ48		Φ55	
Q3		36		48		52		60		68		74	
Q1		48		62		66		72		81		88	
Q2		59		76		80		86		95		102	
D		Φ14		Φ21				Φ24		Φ32		Φ40	

Contact couple diameter (mm)		1.5	2.5	3.5	5.5	9.0
A	e (mm)	15	15	17	19	19
M		14	14	16	21	21
Hole diameter (mm)		2/3	2.6/3.3	5.3/6	9/11	12/15