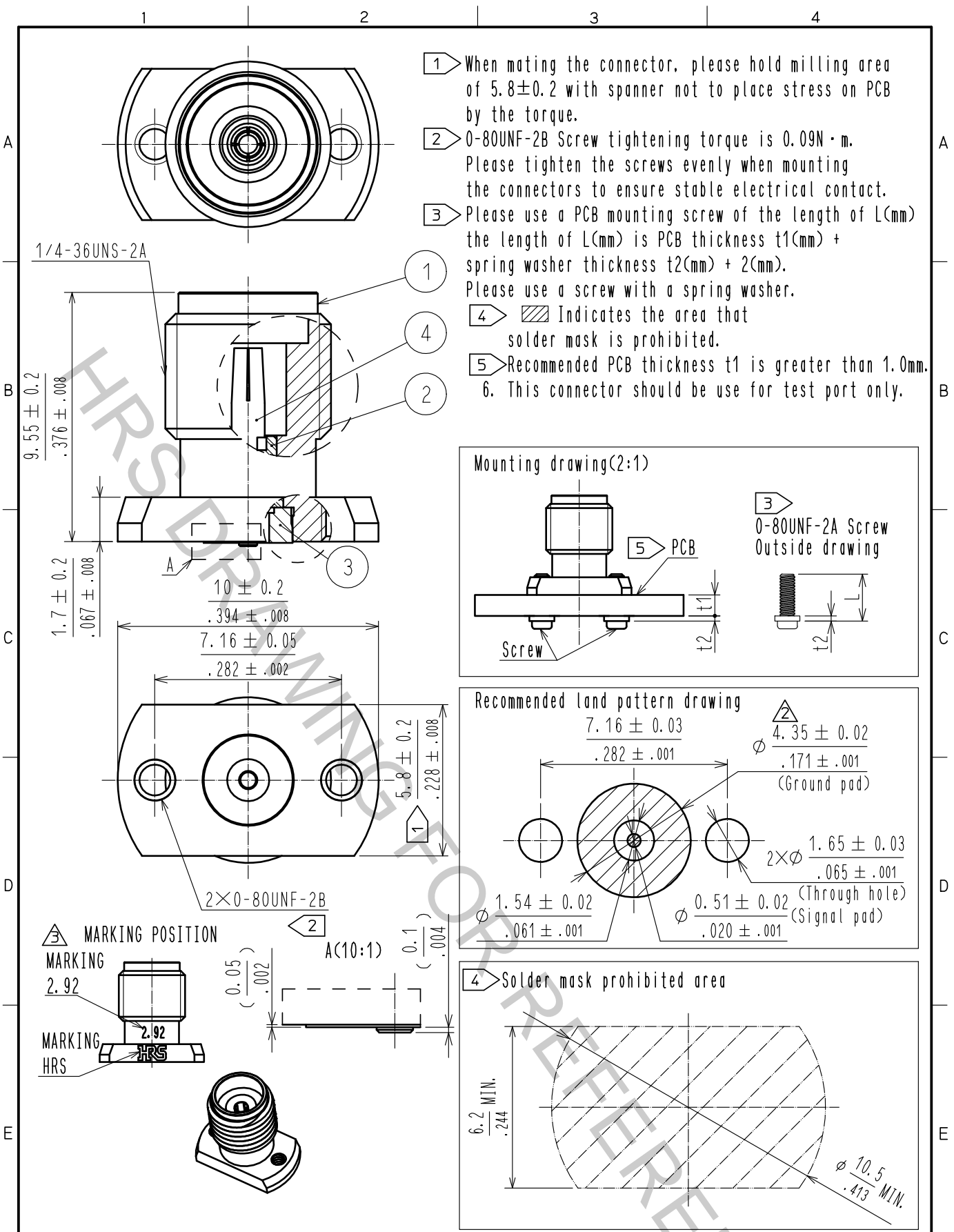


Dec.1.2018 Copyright 2018 HIROSE ELECTRIC CO., LTD. All Rights Reserved.  
 In case that the application demands a high level of reliability, such as automotive,  
 please contact a company representative for further information.



2	PTFE		4	BERYLLIUM COPPER	GOLD PLATING			
1	STAINLESS STEEL	PASSIVATE	3	STAINLESS STEEL	GOLD PLATING			
NO.	MATERIAL	FINISH	REMARKS	NO.	MATERIAL	FINISH	REMARKS	
	UNITS [mm/in]		SCALE 5 : 1	COUNT $\triangle 3$	DESCRIPTION OF REVISIONS	DESIGNED	CHECKED	DATE
				1	DIS-D-00003015	AH. MARUYAMA	TS. NOBE	18. 03. 24
HIROSE ELECTRIC CO., LTD.		APPROVED	: KY. SHIMIZU	16. 08. 30	DRAWING NO.	EDC-366760-00-01		
		CHECKED	: TO. KATAYAMA	16. 08. 30	PART NO.	HK-R-SR2-1		
		DESIGNED	: TP. MATSUMOTO	16. 08. 29	CODE NO.	CL338-0003-0-00		
		DRAWN	: TP. MATSUMOTO	16. 08. 29				$\triangle 3$ / 1 / 1

# Mouser Electronics

Authorized Distributor

Click to View Pricing, Inventory, Delivery & Lifecycle Information:

[Hirose Electric:](#)

[HK-R-SR2-1](#)