

4

3

2

1

THIS DRAWING IS UNPUBLISHED.
DIFFUSION RESTREINTE AMPRELEASED FOR PUBLICATION
LIBRE A LA DIFFUSION

20

LOC

DIST

REVISIONS

© COPYRIGHT

BY

ALL RIGHTS RESERVED.
TOUS DROITS RESERVES

P

LTR

REV

DESCRIPTION
MODIFICATIONS

DATE

DWN

DESS.

APVD

APP.

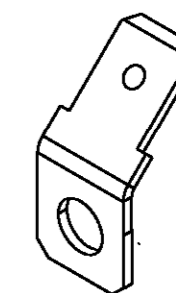
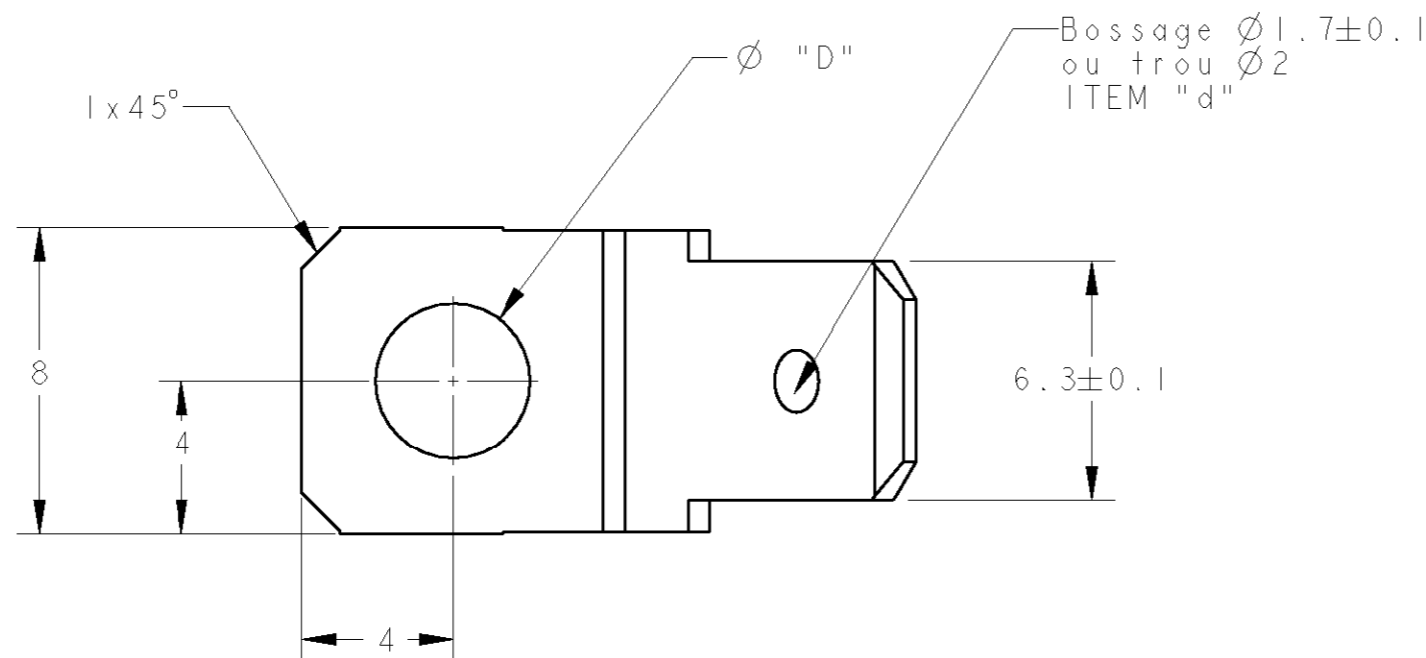
M1

REVISED PER ECO-11-005140

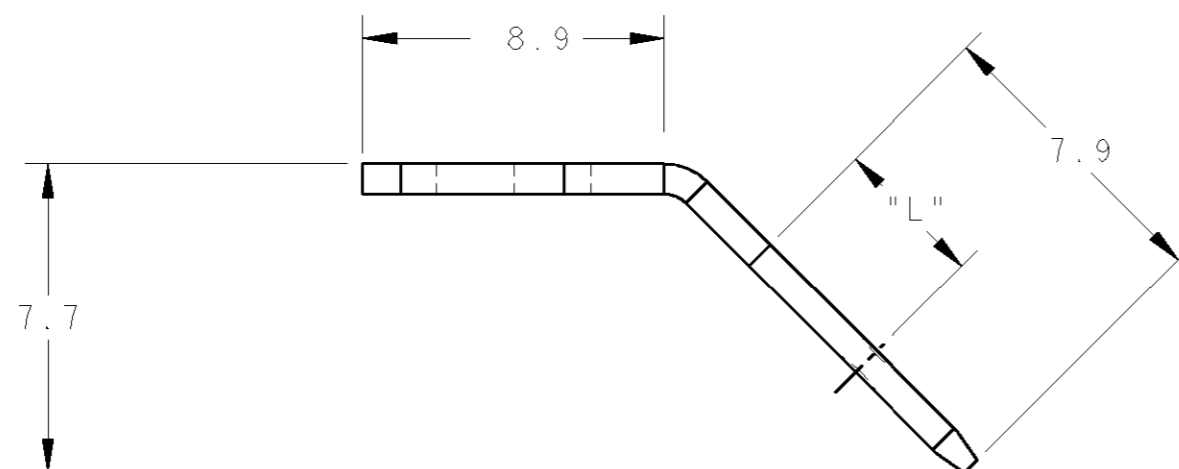
29APR11

RK

HMR



ECHELLE 2:1



141158-1	dore	4.1	3	bossage
141036-1	brut	3.4	5.2	trou
140829-2	etame	3.4	3	trou
140829-1	brut	3.4	3	trou
140814-2	etame	3.4	4.1	trou
140814-1	brut	3.4	4.1	trou
140856-2	etame	4.1	3.7	bossage
140856-1	brut	4.1	3.7	bossage
140759-1	nickele	4.1	5.2	bossage
140759-0	etame	4.1	5.2	bossage
140665-0	brut	4.1	5.2	bossage
140660-0	etame	4.1	3	bossage
140659-0	brut	4.1	3	bossage
140598-0	etame	4.1	4.1	bossage
140597-0	brut	4.1	4.1	bossage
Reference	Finition	"L"	"D"	"d"

DWN/DESSINE 30MARS98 O. LEMPEREUR	
CHK/VERIFIE - G. ROBERT	
APVD/APPROUVE - Y. PETRONIN	
PRODUCT SPEC SPEC. PRODUIT -	
APPLICATION SPEC SPEC. APPLICATION -	
WEIGHT MASSE APPROX. -	
CUSTOMER DRAWING /PLAN CLIENT	

TE TE Connectivity			
NAME TITRE FASTON TABS BENT 45 .250 series LANGUETTE POUR CLIPS			
SIZE FORMAT A3	CAGE CODE 00779	DRAWING NO No PLAN C-140597	RESTRICTED TO RESERVE A -
UNIQUEMENT POUR REFERENCE		SCALE ECHELLE 5:1	SHEET FEUILLE
OF DE		REV M1	

DIMENSIONS: mm		TOLERANCES UNLESS OTHERWISE SPECIFIED: TOLERANCES NON SPECIFIEES (SUIV NB DE DECIMALES): 0 PLC/DEC: ± 1 PLC/DEC: ±0.2 2 PLC/DEC: ± 3 PLC/DEC: ± 4 PLC/DEC: ± ANGLES ±30'
MATERIAL/MATIERE LAITON		FINISH/FINITION Voir tableau

Mouser Electronics

Authorized Distributor

Click to View Pricing, Inventory, Delivery & Lifecycle Information:

[TE Connectivity:](#)

[140814-1](#)