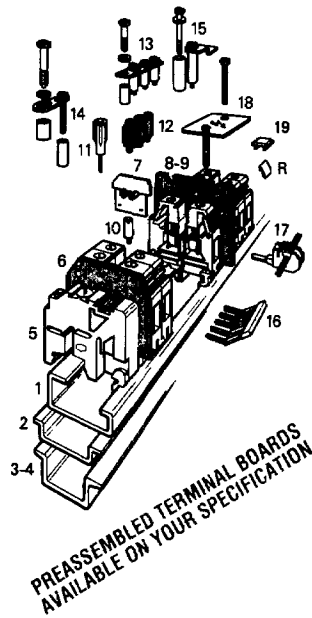


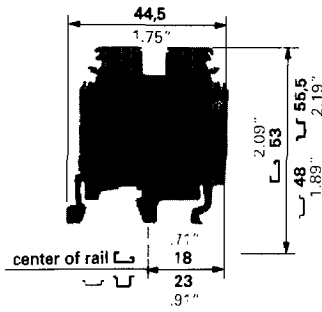
# Compression clamp terminal blocks



## M 10/10

Spacing 10 mm - 0,05 (.394")

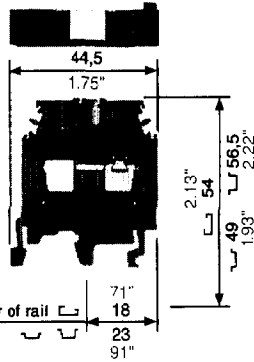
For more detail, see pages 1.6-1.7.



Standard 10 mm block

## M 10/10.RTS

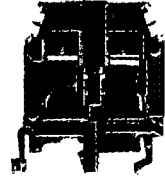
Spacing 10 mm - 0,05 (.394")



M 10/10 with blank top marking surface

## M 10/10.1

Spacing 10 mm - 0,05 (.394")



M 10/10 with partition

Grey body	<b>M 10/10</b>	<b>115 120.17</b>
Color Coded		
Blue	<b>M 10/10.N</b>	<b>125 120.11</b>
Yellow	<b>M 10/10</b>	<b>105 120.26</b>
Beige	<b>M 10/10 VO</b>	<b>195 120.10</b>

Grey body	<b>M 10/10.RTS</b>	<b>115 572.10</b>
-----------	--------------------	-------------------

Grey body	<b>M 10/10.1</b>	<b>115 261.20</b>
-----------	------------------	-------------------

Wire size (see generalities)	Solid wire		0-16 mm <sup>2</sup>	20-6 AWG	18-6 AWG	0-16 mm <sup>2</sup>	0-16 mm <sup>2</sup>	20-6 AWG	18-6 AWG	0-16 mm <sup>2</sup>	0-16 mm <sup>2</sup>	20-6 AWG	0-16 mm <sup>2</sup>
	Stranded wire		0-10 mm <sup>2</sup>			0-10 mm <sup>2</sup>	0-10 mm <sup>2</sup>			0-10 mm <sup>2</sup>	0-10 mm <sup>2</sup>		0-10 mm <sup>2</sup>
Rated voltage	V	~ AC	750 Gr.C	600	600	500 Cat.C	750 Gr.C	600	600	500 Cat.C	750 Gr.C	600	500 Cat.C
		= DC	900 Gr.C			500 Cat.C	900 Gr.C			500 Cat.C	900 Gr.C		500 Cat.C
Rated current	A		63	65	70	71	63	65	70	71	63	65	71
Rated wire size			10 mm <sup>2</sup>	6 AWG	6 AWG	10 mm <sup>2</sup>	10 mm <sup>2</sup>	6 AWG	6 AWG	10 mm <sup>2</sup>	10 mm <sup>2</sup>	6 AWG	10 mm <sup>2</sup>

	12 mm .47"	5,5-6 mm	1,2-1,4 Nm 10,6-12,3 lb.in.	IP 20 NEMA 1	12 mm .47"	5,5-6 mm	1,2-1,4 Nm 10,6-12,3 lb.in.	IP 20 NEMA 1	12 mm .47"	5,5-6 mm	1,2-1,4 Nm 10,6-12,3 lb.in.	IP 20 NEMA 1
--	------------	----------	-----------------------------	--------------	------------	----------	-----------------------------	--------------	------------	----------	-----------------------------	--------------

Approvals (Contact Entelec)

1 Rail 32 x 15 DIN 1	PR1 Z2	163 050.04	PR1 Z2	163 050.04	PR1 Z2	163 050.04
2 Rail 35 x 7,5 x 1 DIN 3	PR30 prepunched	173 220.05	PR30 prepunched	173 220.05	PR30 prepunched	173 220.05
3 Rail 35 x 15 x 2,3 DIN 3	PR4	168 500.12	PR4	168 500.12	PR4	168 500.12
4 Rail 35 x 15 x 1,5	PR5 prepunched	101 506.28	PR5 prepunched	101 506.28	PR5 prepunched	101 506.28
5 End stop (all rails)	BAM th. 9,1 mm	103 002.26	BAMH th. 9,1 mm	114 836.00	BAM th. 9,1 mm	103 002.26
6 End section	FEM6 th. 2,5 mm	118 366.16	FEM6 th. 2,5 mm	118 366.16	FEM6 th. 2,5 mm	118 366.16
	FEM6 th. 2,5 mm	103 062.21				
	FEM6 th. 2,5 mm	128 366.10	FEM6 th. 2,5 mm	128 366.10		
7 Circuit separator	SCM6	113 003.10				
8 Separator end section (block)	SCF6 th. 3 mm	118 707.03			SCF6 th. 3 mm	118 707.03
	SCF6 th. 3 mm	128 707.05				
9 Separator end section (rail)	SCFM6 th. 3 mm	114 826.05			SCFM6 th. 3 mm	114 826.05
10 Test socket	AL2 (1) DIA. 2 mm	163 043.21			AL2 DIA. 2 mm	163 043.21
	AL3 (1) DIA. 3 mm	163 261.00			AL3 DIA. 3 mm	163 261.00
	AL4 (1) DIA. 4 mm	163 262.01			AL4 DIA. 4 mm	163 262.01
11 Test plug	FC	(see access.)	FC	(see access.)	FC	(see access.)
12 Assembled jumper bar	BJM10 (1) 2 poles	173 611.21			BJM10 (2) 2 poles	173 611.21
	BJM10 (1) 3 poles	173 612.22			BJM10 (2) 3 poles	173 612.22
	BJM10 (1) 4 poles	173 613.23			BJM10 (2) 4 poles	173 613.23
	BJM10 (1) 5 poles	173 614.24			BJM10 (2) 5 poles	173 614.24
	BJM10 (1) 10 poles	173 615.25			BJM10 (2) 10 poles	173 615.25
13 Jumper bar not preassembled	BJS10 (1) 20 poles	(see access.)			BJS10 (2) 20 poles	(see access.)
14 Universal jumper bar	BJDP (1)	(see access.)			BJDP (2)	(see access.)
15 Pivoting jumper bar	BJP10	174 451.22			BJP10	174 451.22
16 Comb type jumper bar	PC10 10 poles	163 315.26	PC10 10 poles	163 315.26	PC10 10 poles	163 315.26
17 IDC jumper	AD2,5	114 206.20	AD2,5	114 206.20	AD2,5	114 206.20
18 Protection label	EP	(see access.)			EP	(see access.)

R See markers and other accessories Marking method

(1) A circuit separator SC may be required with the use of these accessories.  
 (2) Use of these accessories requires the user to cut out the partition.