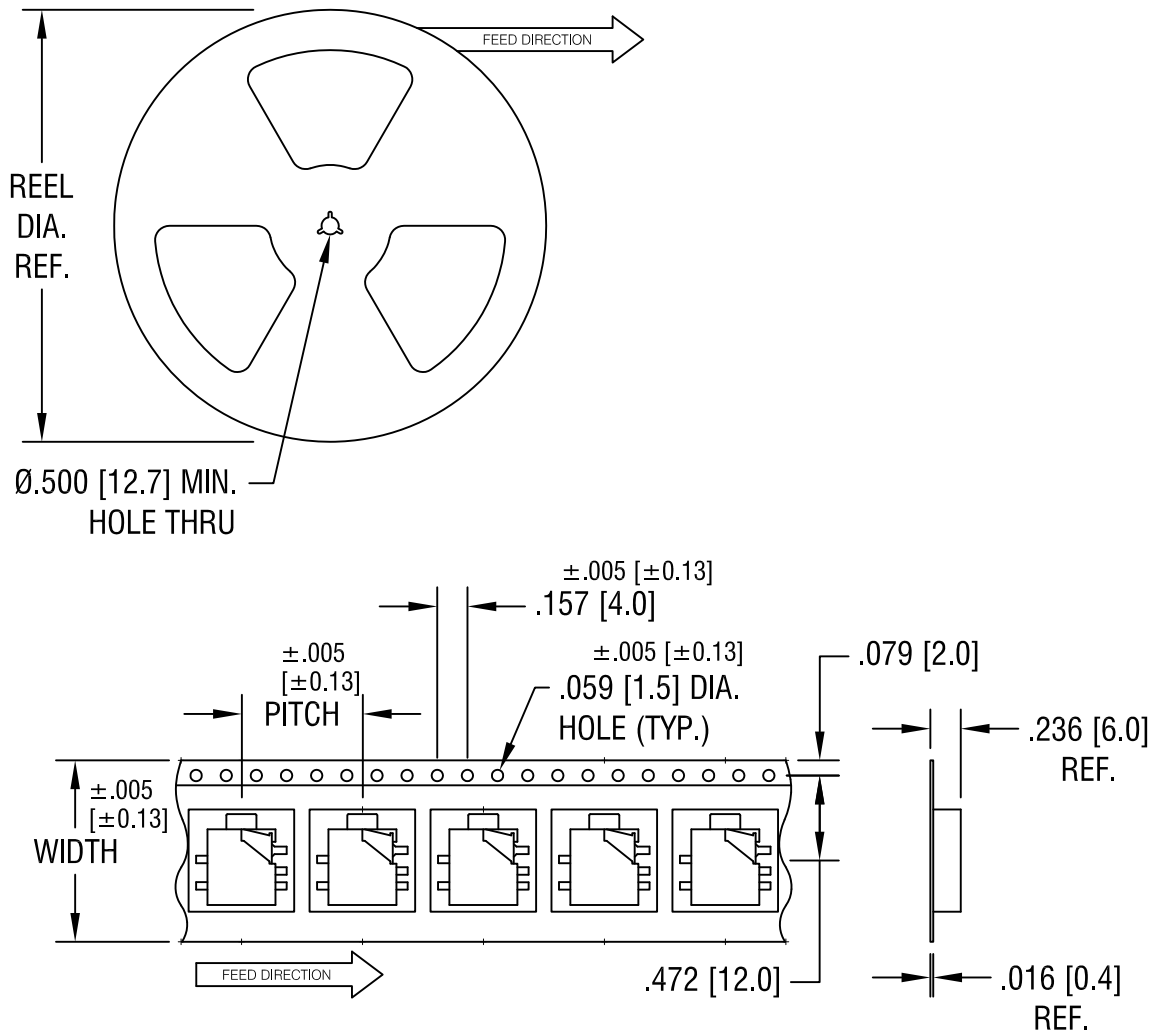


THIS DOCUMENT IS THE PROPERTY OF KEYSTONE ELECTRONICS CORP. AND SHALL NOT BE REPRODUCED, DISTRIBUTED OR USED AS A BASIS FOR MANUFACTURE WITHOUT PRIOR WRITTEN PERMISSION FROM KEYSTONE ELECTRONICS CORP.



**NOTES:**

**TAPE AND REEL SPECIFICATIONS:**

**1. TAPE:**

MAT'L - ALL CONDUCTIVE POLYSTYRENE CARRIER  
 ANSI/EIA-481 STANDARD  
 .945 [24.0] WIDE; .630 [16.0] PITCH

**2. REEL:**

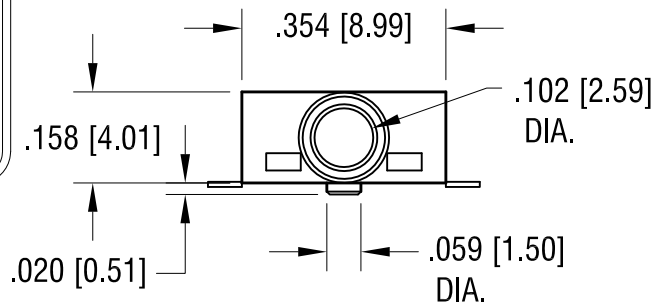
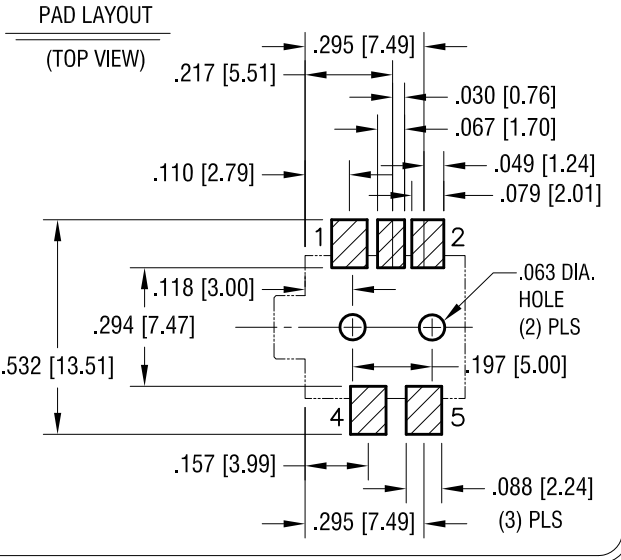
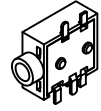
15.0 [381.0] DIA. 1000 PIECES OF  
 PART NO. 980 PER REEL.

<b>KEYSTONE ELECTRONICS CORP.</b>			
www.keyelco.com • ASTORIA, N.Y. 11105-2017 • Tel (718) 956-8900			
PART NAME			
2.5mm SM STEREO JACK ON TAPE			
MATERIAL			
AS NOTED			
FINISH		DRN BY	DATE
AS NOTED		BOONE	2.28.00
		APP'D	SCALE
		LN	X
TOLERANCES	INCH [MM]	CODE	DWG NO.
DECIMAL	± .015 [± 0.38]	C	<b>980TR</b>
ANGULAR	± 1°		
UNLESS OTHERWISE SPECIFIED			

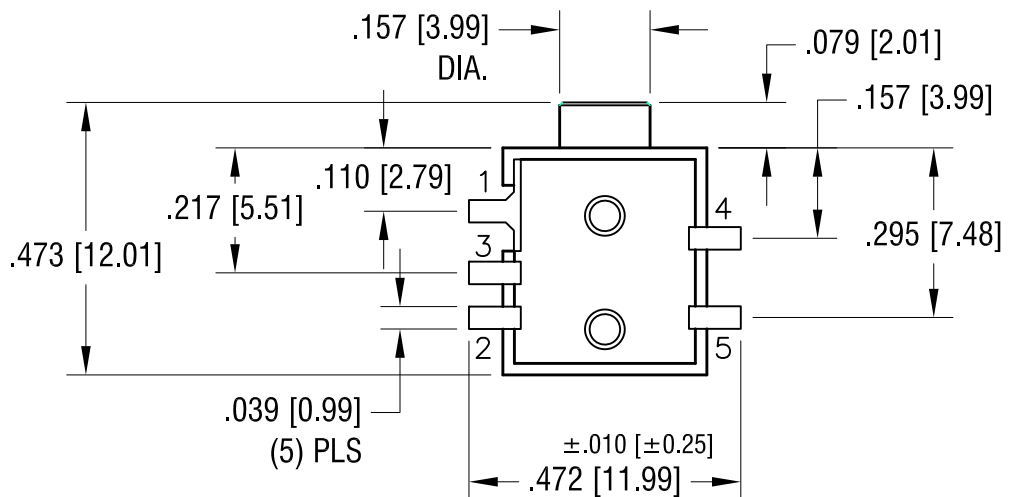
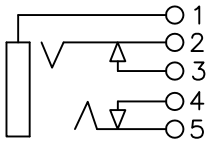
10.17.06	CHANGE AS PER ECN 06-066	A
DATE	DESCRIPTION	REV.

THIS DOCUMENT IS THE PROPERTY OF KEYSTONE ELECTRONICS CORP. AND SHALL NOT BE REPRODUCED, DISTRIBUTED OR USED AS A BASIS FOR MANUFACTURE WITHOUT PRIOR WRITTEN PERMISSION FROM KEYSTONE ELECTRONICS CORP.

**ACTUAL SIZE**



**STEREO SCHEMATIC**



**NOTES:**

- MAT'L:**  
 HOUSING: MAT'L- LCP, UL 94V-0  
 GROUND TERMINAL: .012 [0.3] TH'K BRASS ①  
 SPRING CONTACTS: .008 [0.2] TH'K PHOSPHOR BRONZE ② ⑤  
 SHUNT TERMINALS: .012 [0.3] TH'K BRASS ③ ④
- TAPE SPECIFICATIONS:**  
 MAT'L - ALL CONDUCTIVE POLYSTYRENE CARRIER  
 ANSI/EIA-481 STANDARD  
 24MM (.945) WIDE; 16MM (.630) PITCH
- REEL SPECIFICATION:**  
 15 INCH DIA. 1000 PIECES

HOUSING WAS POLYAMIDE  
 CHANGE AS PER ECN 13-041

5.20.13		A
DATE	DESCRIPTION	REV.

<b>KEYSTONE ELECTRONICS CORP.</b>			
www.keyelco.com • ASTORIA, N.Y. 11105-2017 • Tel (718) 956-8900			
PART NAME			
2.5mm SURFACE MOUNT STEREO JACK			
MATERIAL			
AS NOTED			
FINISH		DRN BY	DATE
GOLD FLASH		BOONE	7.20.98
		APP'D	SCALE
		LN	3X
TOLERANCES	INCH [MM]	CODE	DWG NO.
DECIMAL	± .005 [± 0.13]	C	
ANGULAR	± 1°		
UNLESS OTHERWISE SPECIFIED			
			<b>980</b>

# Mouser Electronics

Authorized Distributor

Click to View Pricing, Inventory, Delivery & Lifecycle Information:

[Keystone Electronics:](#)

[980TR](#)