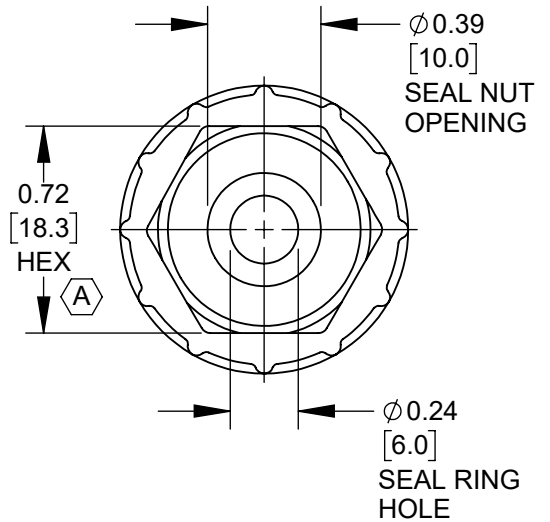
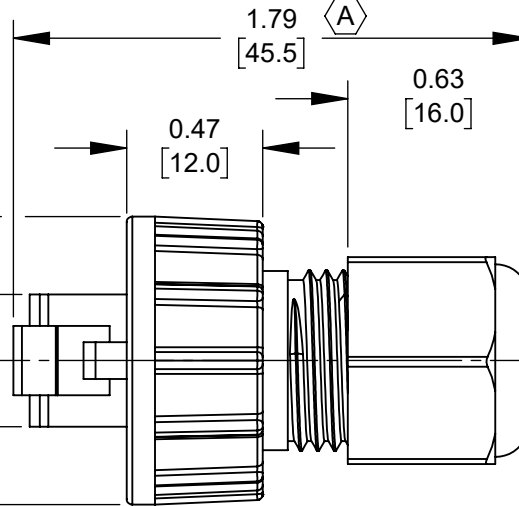


13/16-28 UNS
THREAD

0.26
[6.6]
RJ45 PLUG

Ø 1.00
[25.4]

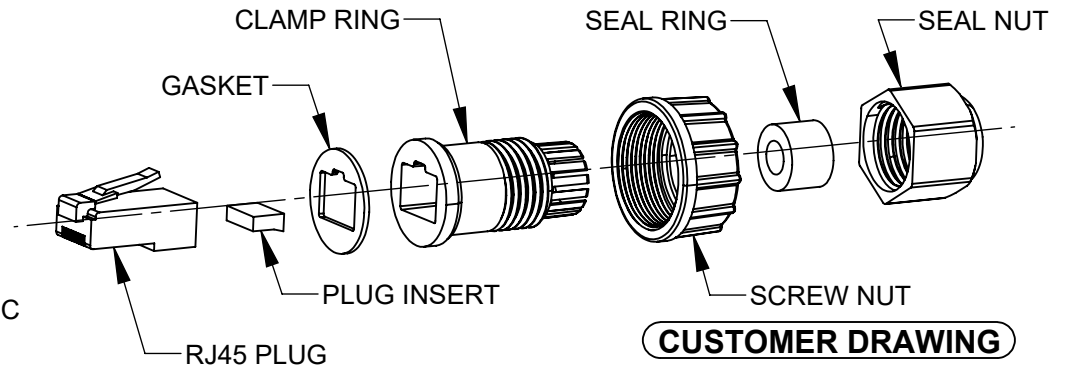
0.46
[11.7]



NOTES:

1. IP67 RATED WHEN PROPERLY ASSEMBLED.
2. CABLE RANGE: Ø 0.177 - 0.236 [4.5 - 6.0].
3. ALL PARTS SHIPPED ASSEMBLED.
4. MATERIALS:
RJ45 PLUG - CAT6 SHIELDED PLUG
GASKET AND SEAL RING - BLACK, EPDM RUBBER
CLAMP RING, SCREW NUT, SEAL NUT- BLACK, THERMOPLASTIC
5. THIS PRODUCT IS RoHS COMPLIANT

A



CUSTOMER DRAWING

A	28311	08/24/20	PC	TJK
REV	ECO NUMBER	DATE	BY	APVD
REVISIONS				

UNLESS OTHERWISE SPECIFIED

1. ALL DIMENSIONS IN INCHES [mm]
- TWO PLACE DECIMALS ±0.02 [0.5]
- THREE PLACE DECIMALS ±0.005 [0.13]

DO NOT SCALE DRAWING

THIS DRAWING DESCRIBES A DESIGN CONSIDERED PROPRIETARY IN NATURE, DEVELOPED AND MANUFACTURED BY SWITCHCRAFT INC. AND IS RELEASED ON A CONFIDENTIAL BASIS FOR IDENTIFICATION PURPOSES ONLY.									
SIZE	WIDTH	MULT	LBS/M	TEMPER					
FINISH					MATERIAL				
SPEC No.					SPEC No.				
FIRST USED ON				SCALE 1.5:1					
DATE DRAWN	BY	CHKD	APVD						
7/7/20	FM	FM	TJK						
7/7/20			7/17/20						
NAME					PART No.			REV	
SEALED RJ45 CAT6 SHIELDED PLUG, CABLE RANGE Ø 4.5 - 6.0mm					ENDC6S			A	

Mouser Electronics

Authorized Distributor

Click to View Pricing, Inventory, Delivery & Lifecycle Information:

[Switchcraft:](#)

[ENDC6S](#)