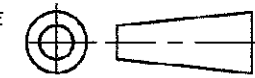


DO NOT SCALE
DIMENSIONS IN mm

METRIC

THIRD ANGLE
PROJECTION



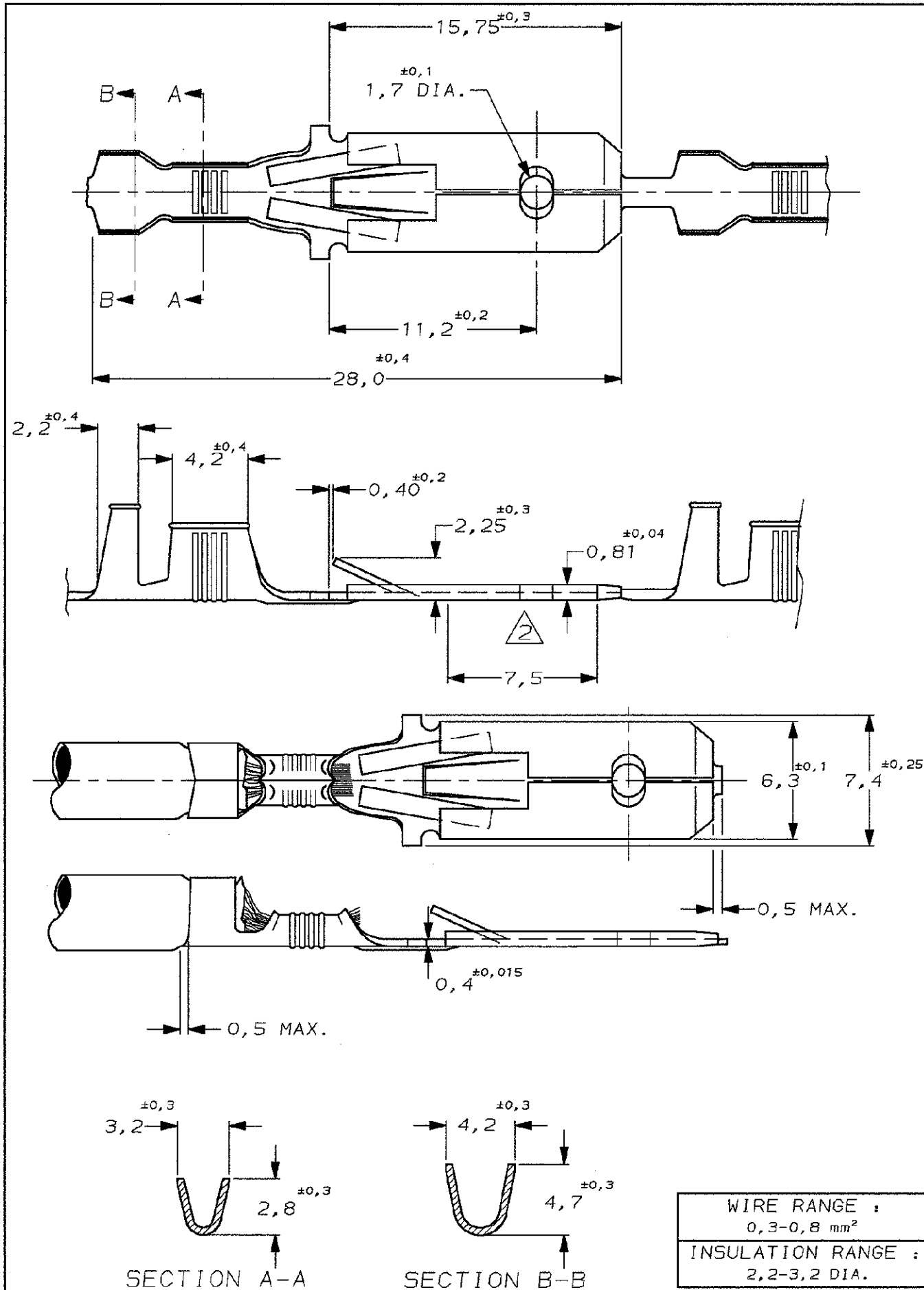
NOTES:

1 FOR USE ON MINIATURE APPLICATORS (LEFT-RIGHT FEED)
AMP-O-MATOR APPLICATION.

2 DIM 0,81^{±0,04} TO BE MEASURED OVER A LENGTH 7,5mm
AS INDICATED

3 OBSOLETE PARTS: OBSOLETE CIS STREAMLINING PER D.RENAUD/D.SINISI

UNPUBLISHED DRAWING : AMP RIGHTS RESERVED
This drawing is supplied to.....
.....for use by
.....
or its nominated suppliers for the purpose
of inspecting AMP-PRODUCTS.
AMP-HOLLAND B.V.
DATE.....
SIGNATURE.....



FINISH	MATERIAL	PARTNUMBER	RESTRICTED CUSTOMER FOR REFERENCE ONLY WILL NOT BE UPDATED			
			DR.	CHK.	DATE	REV. LTR.
UNPLATED	PH. BRONZE	160645-3				
TINPLATED	BRASS	160645-2				
UNPLATED	BRASS	160645-1				
© COPYRIGHT 19- BY AMP HOLLAND B.V. ALL INTERNATIONAL RIGHTS RESERVED. AMP PRODUCTS MAY BE COVERED BY U.S. AND FOREIGN AND/OR PATENTS PENDING. THIS DRAWING IS UNPUBLISHED RELEASED FOR PUBLICATION			AMP HOLLAND B.V. 's-Hertogenbosch, The Netherlands.			
01 REV PER ECO-10-000444 KK AEG 09JAN10 0 EH-0933-97 D.K. R.V. 27 AUG 97			NAME .250 SRS FASTIN-FASTON TAB			
LTR. REVISION RECORD DR. CHK. DATE			DWG.No. C-160645			
DR.: D. KESSLER CHK.: R. VOS APP.: - DATE: 27 AUG 97 DATE: - DATE: -			REV. LTR. SHEET 01 1 OF 1 A3			

Mouser Electronics

Authorized Distributor

Click to View Pricing, Inventory, Delivery & Lifecycle Information:

[TE Connectivity:](#)

[160645-1](#) [160645-1 \(Mouser Reel\)](#)