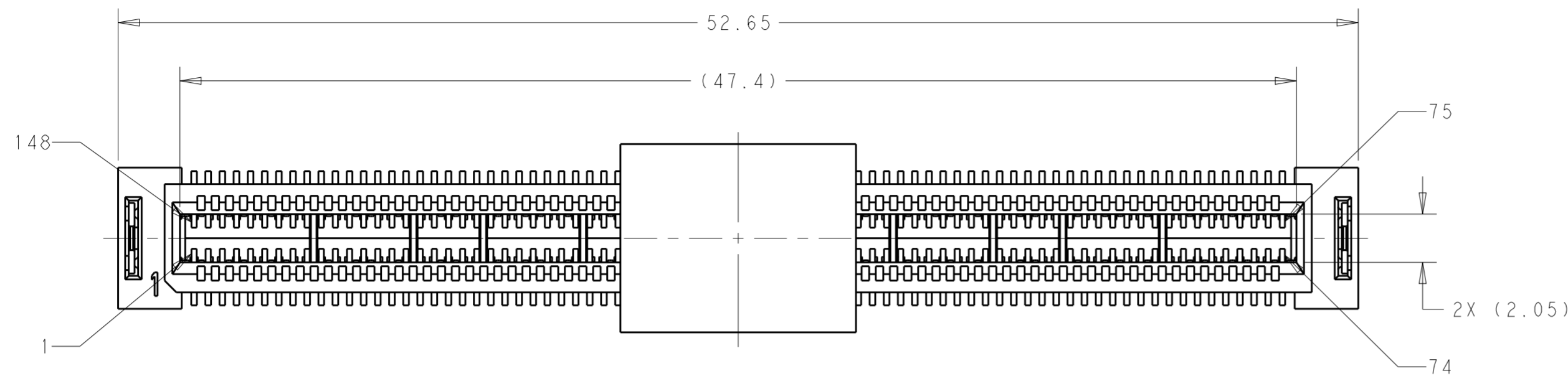
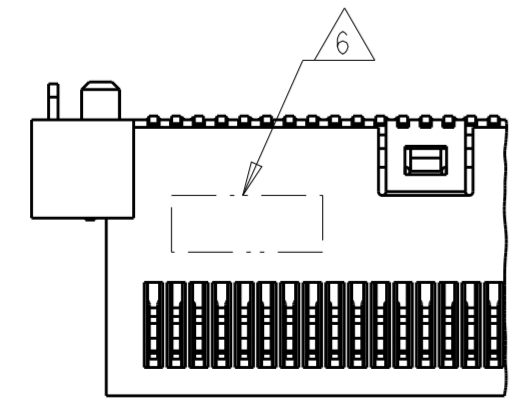
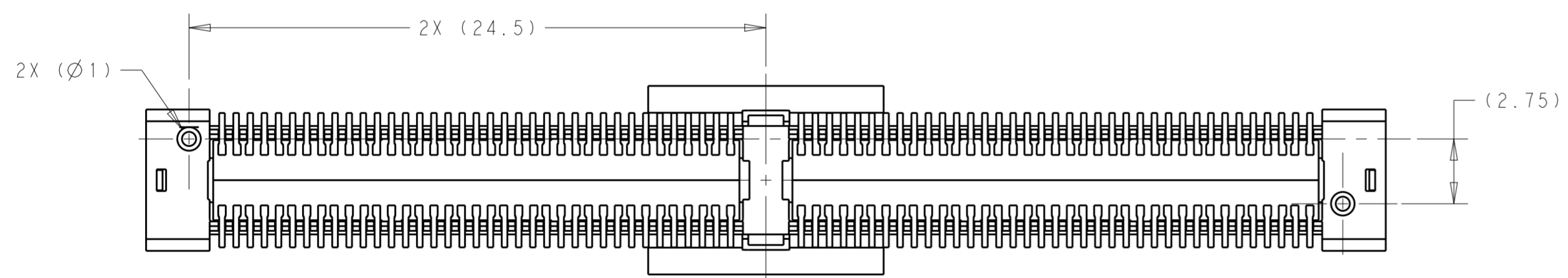
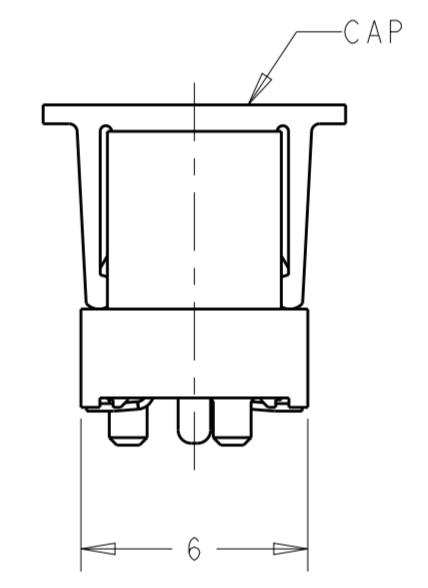
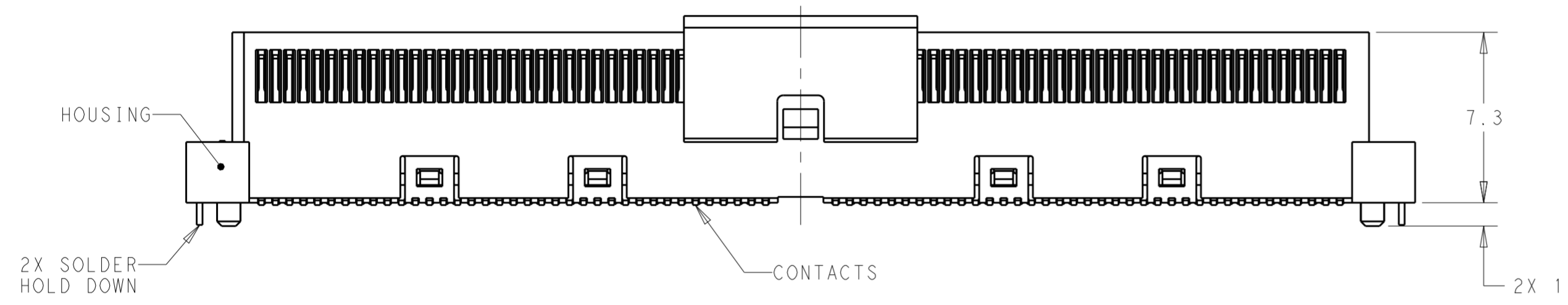


THIS DRAWING IS UNPUBLISHED. RELEASED FOR PUBLICATION 20
 © COPYRIGHT 20 BY - ALL RIGHTS RESERVED.

REVISIONS					
P	LTR	DESCRIPTION	DATE	DWN	APVD
14		REVISED CARD EDGE LAYOUT, ADD NOTE 6	14DEC2016	MS	DH
15		ADDED 0.35 DIMENSION TO DETAIL C	31MAR2017	MS	DH
A		REVISED PER ECO-17-016167	16NOV2017	AP	EB
B		REVISED PER ECO-19-011393	10FEB2020	TX	DZ



- 1 HOUSING AND CONTACT OVERMOLD: LCP, BLACK.
CONTACTS: COPPER ALLOY.
HOLD DOWN: COPPER ALLOY, TIN PLATED.
PICK AND PLACE TAPE: POLYIMIDE FILM.
PICK AND PLACE CAP: LCP 30, BLACK.
- 2 0.76µm MIN. GOLD PLATED ON MATING INTERFACE. 2.54µm MIN MATTE TIN PLATED ON SOLDER TAILS. 1.27µm MIN NICKEL UNDERPLATED OVERALL.
- 3 DATUM AND BASIC DIMENSION ESTABLISHED BY CUSTOMER.
- 4 DESIGNED FOR A 1.5 MIN THICK PC BOARD.
- 5 RECOMMENDED COMPONENT KEEP OUT AREA.
- 6 DATE CODE MARKED IN APPROXIMATE AREA SHOWN.

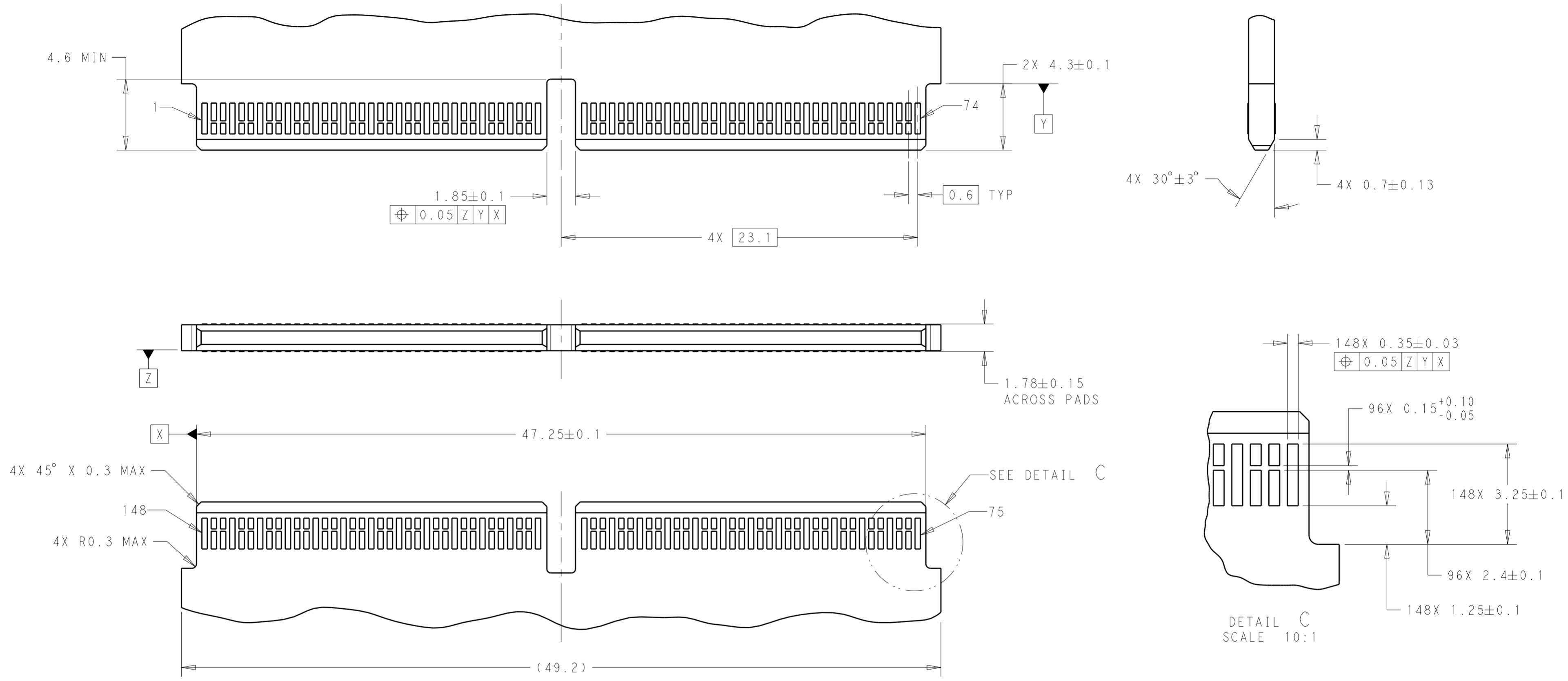


TAPE & REEL WITH PICK AND PLACE TAPE	2297117-1
TAPE & REEL WITH PICK AND PLACE CAP	2297117-2
PACKAGING	PART NUMBER

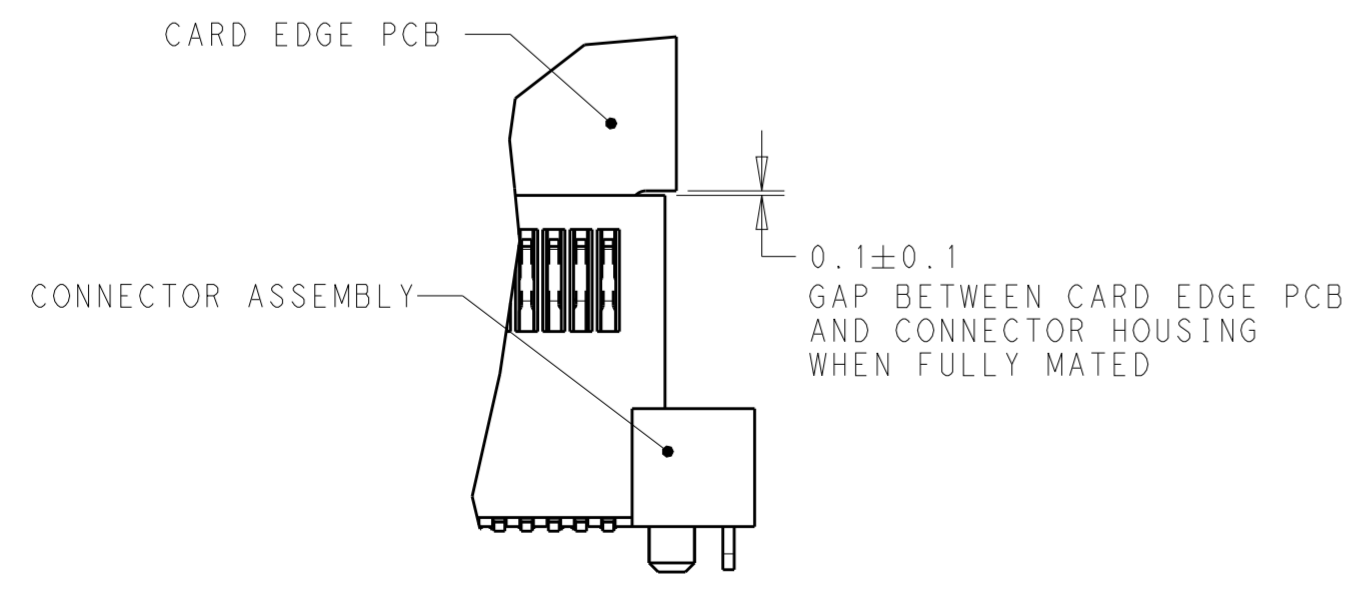
THIS DRAWING IS A CONTROLLED DOCUMENT.		DWN M. SCHMITT 4NOV2015	TE Connectivity	
DIMENSIONS: mm		CHK M. SCHMITT 4NOV2015		
TOLERANCES UNLESS OTHERWISE SPECIFIED:		APVD -	NAME RECEPTACLE CONNECTOR, VERTICAL, 148 POSITION, SLIVER .070 CARD EDGE	
0 PLC ±0.15		PRODUCT SPEC -	SIZE A2	
1 PLC ±0.15		APPLICATION SPEC -	CAGE CODE -	
2 PLC ±0.15		WEIGHT -	DRAWING NO G-2297117	
3 PLC ±		CUSTOMER DRAWING	RESTRICTED TO -	
4 PLC ±		SCALE 5:1	SHEET 1 OF 4	
ANGLES ±		REV B		
FINISH				

THIS DRAWING IS UNPUBLISHED. RELEASED FOR PUBLICATION 20
 © COPYRIGHT 20 BY - ALL RIGHTS RESERVED.

REVISIONS				
P	LTR	DESCRIPTION	DATE	APVD
-	-	SEE SHEET 1	-	-



RECOMMENDED CARD EDGE LAYOUT



SCALE 6:1
 CARD EDGE PCB SHOWN MATED TO CONNECTOR ASSEMBLY

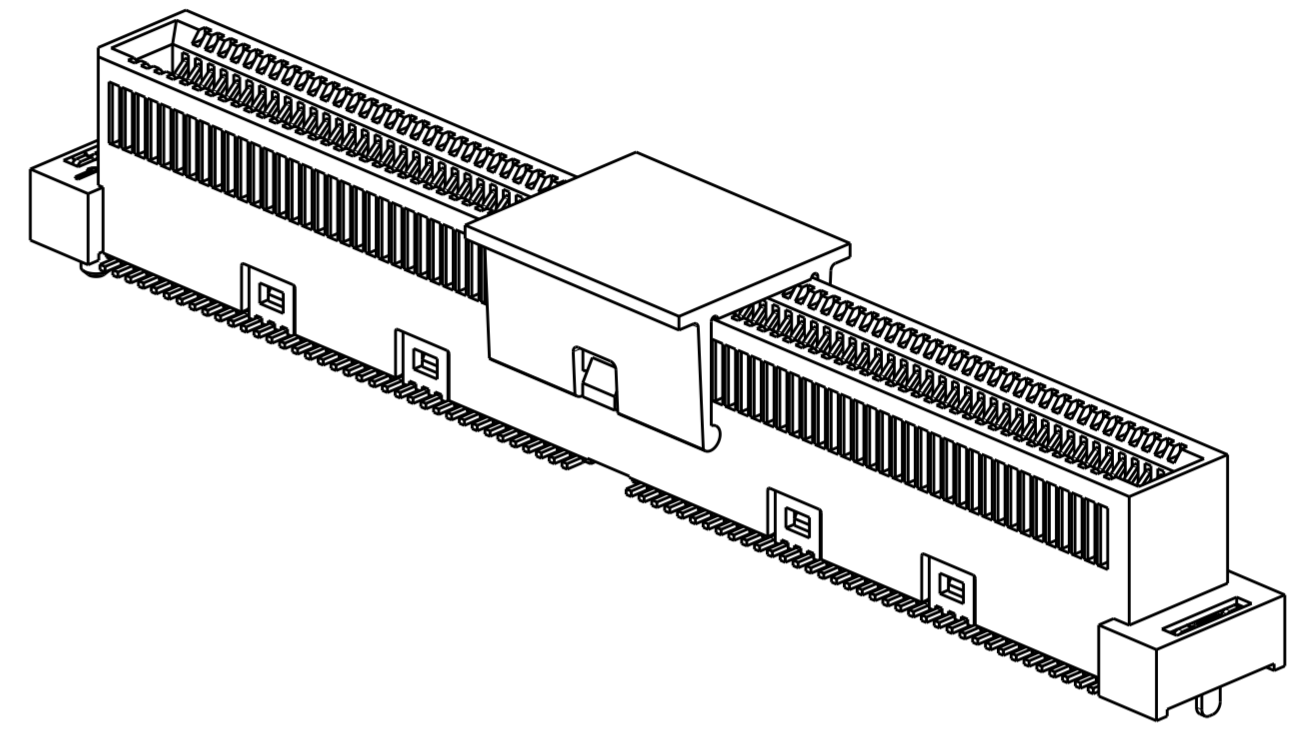
THIS DRAWING IS A CONTROLLED DOCUMENT.		DWN M. SCHMITT 4NOV2015	TE Connectivity	
DIMENSIONS: mm		CHK M. SCHMITT 4NOV2015		
TOLERANCES UNLESS OTHERWISE SPECIFIED:		APVD -	NAME RECEPTACLE CONNECTOR, VERTICAL, 148 POSITION, SLIVER .070 CARD EDGE	
0 PLC ±0.15		PRODUCT SPEC -	SIZE A2	
1 PLC ±0.15		APPLICATION SPEC -	CAGE CODE -	
2 PLC ±0.15		WEIGHT -	DRAWING NO. C-2297117	
3 PLC ±		CUSTOMER DRAWING	RESTRICTED TO -	
4 PLC ±		SCALE 5:1	SHEET 3 OF 4	
ANGLES ±			REV B	
FINISH ±				

THIS DRAWING IS UNPUBLISHED. RELEASED FOR PUBLICATION 20
 © COPYRIGHT 20 BY - ALL RIGHTS RESERVED.

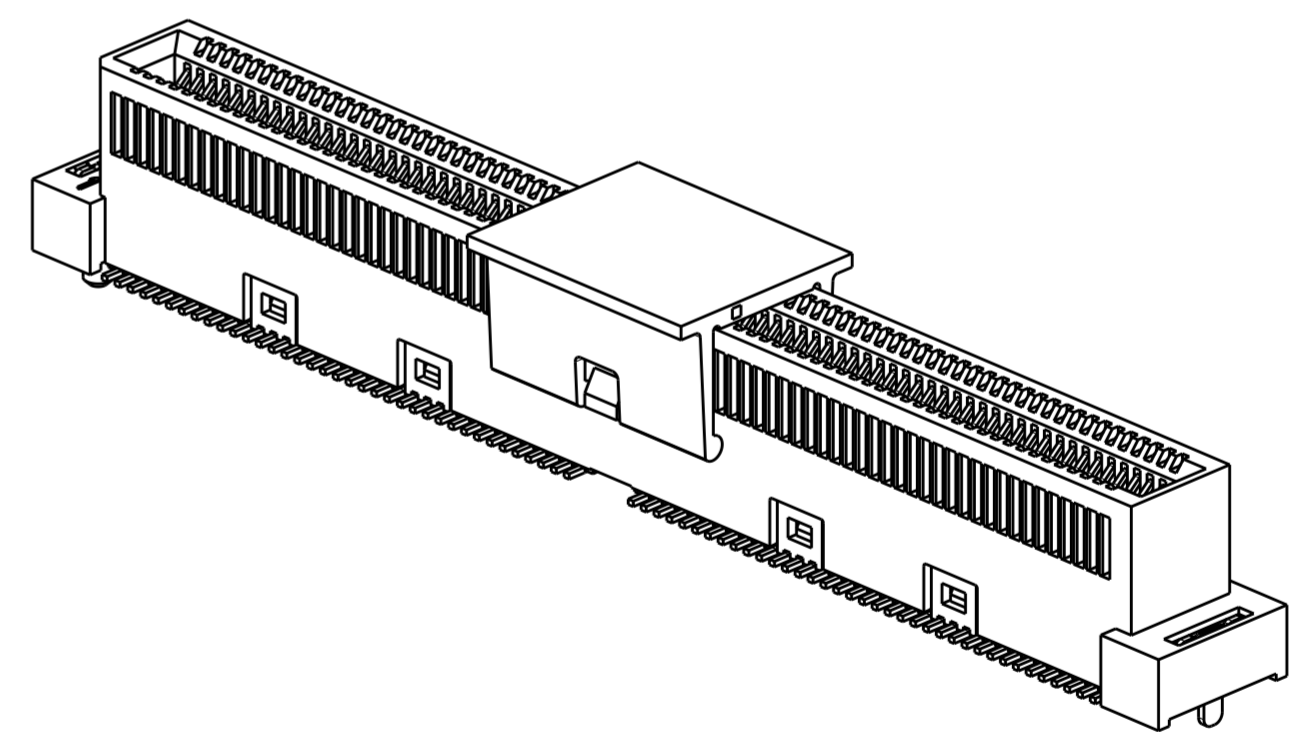
REVISIONS				
P	LTR	DESCRIPTION	DATE	APVD
-	-	SEE SHEET 1	-	-

PIN #	DESCRIPTION	PIN #	DESCRIPTION
1	SIGNAL GROUND	75	SIGNAL GROUND
2	SIGNAL	76	SIGNAL
3	SIGNAL	77	SIGNAL
4	SIGNAL GROUND	78	SIGNAL GROUND
5	SIGNAL	79	SIGNAL
6	SIGNAL	80	SIGNAL
7	SIGNAL GROUND	81	SIGNAL GROUND
8	SIGNAL	82	SIGNAL
9	SIGNAL	83	SIGNAL
10	SIGNAL GROUND	84	SIGNAL GROUND
11	SIGNAL	85	SIGNAL
12	SIGNAL	86	SIGNAL
13	SIGNAL GROUND	87	SIGNAL GROUND
14	SIGNAL	88	SIGNAL
15	SIGNAL	89	SIGNAL
16	SIGNAL GROUND	90	SIGNAL GROUND
17	SIGNAL	91	SIGNAL
18	SIGNAL	92	SIGNAL
19	SIGNAL GROUND	93	SIGNAL GROUND
20	SIGNAL	94	SIGNAL
21	SIGNAL	95	SIGNAL
22	SIGNAL GROUND	96	SIGNAL GROUND
23	SIGNAL	97	SIGNAL
24	SIGNAL	98	SIGNAL
25	SIGNAL GROUND	99	SIGNAL GROUND
26	SIGNAL	100	SIGNAL
27	SIGNAL	101	SIGNAL
28	SIGNAL GROUND	102	SIGNAL GROUND
29	SIGNAL	103	SIGNAL
30	SIGNAL	104	SIGNAL
31	SIGNAL GROUND	105	SIGNAL GROUND
32	SIGNAL	106	SIGNAL
33	SIGNAL	107	SIGNAL
34	SIGNAL GROUND	108	SIGNAL GROUND
35	SIGNAL	109	SIGNAL
36	SIGNAL	110	SIGNAL
37	SIGNAL GROUND	111	SIGNAL GROUND


PIN #	DESCRIPTION	PIN #	DESCRIPTION
38	SIGNAL GROUND	112	SIGNAL GROUND
39	SIGNAL	113	SIGNAL
40	SIGNAL	114	SIGNAL
41	SIGNAL GROUND	115	SIGNAL GROUND
42	SIGNAL	116	SIGNAL
43	SIGNAL	117	SIGNAL
44	SIGNAL GROUND	118	SIGNAL GROUND
45	SIGNAL	119	SIGNAL
46	SIGNAL	120	SIGNAL
47	SIGNAL GROUND	121	SIGNAL GROUND
48	SIGNAL	122	SIGNAL
49	SIGNAL	123	SIGNAL
50	SIGNAL GROUND	124	SIGNAL GROUND
51	SIGNAL	125	SIGNAL
52	SIGNAL	126	SIGNAL
53	SIGNAL GROUND	127	SIGNAL GROUND
54	SIGNAL	128	SIGNAL
55	SIGNAL	129	SIGNAL
56	SIGNAL GROUND	130	SIGNAL GROUND
57	SIGNAL	131	SIGNAL
58	SIGNAL	132	SIGNAL
59	SIGNAL GROUND	133	SIGNAL GROUND
60	SIGNAL	134	SIGNAL
61	SIGNAL	135	SIGNAL
62	SIGNAL GROUND	136	SIGNAL GROUND
63	SIGNAL	137	SIGNAL
64	SIGNAL	138	SIGNAL
65	SIGNAL GROUND	139	SIGNAL GROUND
66	SIGNAL	140	SIGNAL
67	SIGNAL	141	SIGNAL
68	SIGNAL GROUND	142	SIGNAL GROUND
69	SIGNAL	143	SIGNAL
70	SIGNAL	144	SIGNAL
71	SIGNAL GROUND	145	SIGNAL GROUND
72	SIGNAL	146	SIGNAL
73	SIGNAL	147	SIGNAL
74	SIGNAL GROUND	148	SIGNAL GROUND



2297117-2
 WITH PICK AND PLACE CAP
 SCALE 4:1



2297117-1
 WITH PICK AND PLACE TAPE
 SCALE 4:1

THIS DRAWING IS A CONTROLLED DOCUMENT.		DWN M. SCHMITT 4NOV2015	 TE Connectivity	
DIMENSIONS: mm		CHK M. SCHMITT 4NOV2015		
TOLERANCES UNLESS OTHERWISE SPECIFIED:		APVD -	NAME RECEPTACLE CONNECTOR, VERTICAL, 148 POSITION, SLIVER .070 CARD EDGE	
0 PLC ±0.15		PRODUCT SPEC -	SIZE A2	CAGE CODE -
1 PLC ±0.15		APPLICATION SPEC -	DRAWING NO G-2297117	RESTRICTED TO -
2 PLC ±0.15		WEIGHT -	SCALE 5:1	SHEET 4 OF 4
3 PLC ±		CUSTOMER DRAWING	REV B	
4 PLC ±				
ANGLES ±				
FINISH -				