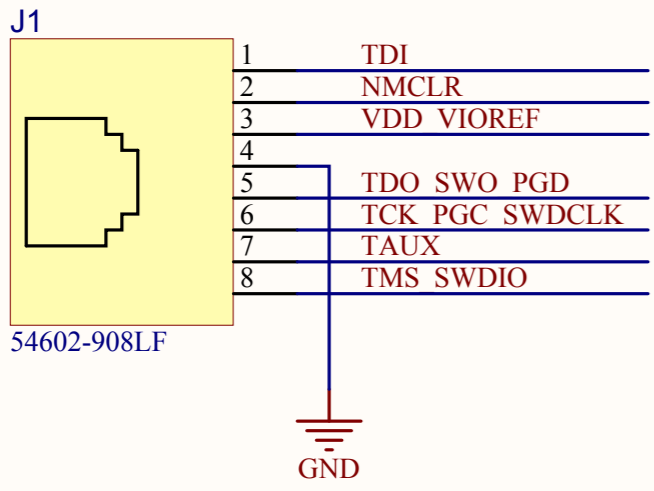


Rev	Description	Date
1	Initial Design	2017-03-10
2	Fixed swapped TCK and TDI signals at J1 and J5.	2017-04-11
3	Added PICKit 4 interface.	2017-09-29
4	Added J7/Changed net:TDO_SWO-TDI/TDI_PGD-TDO_SWO_PGD	2018-01-10

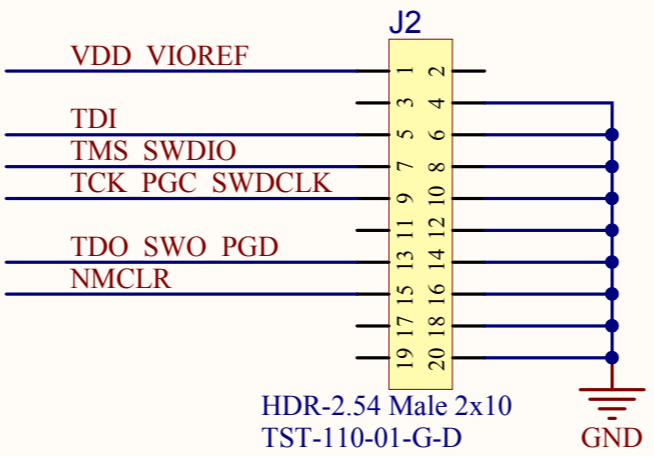
# Tool I/F

# Target I/F

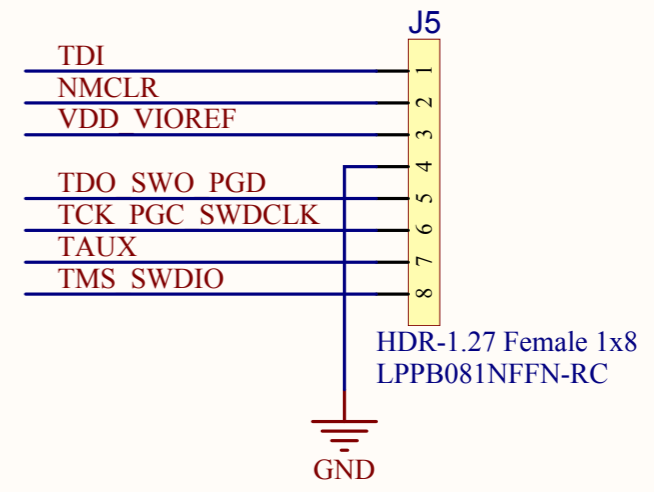
## ICD 4 I/F



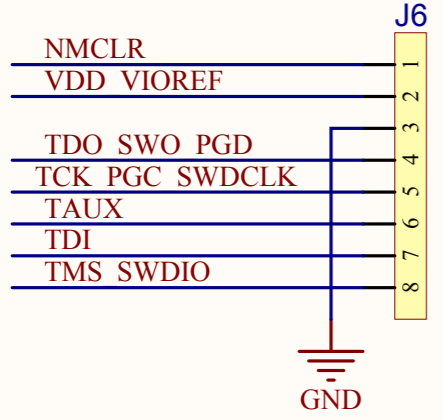
## JTAG/SWD (20 PIN LEGACY)



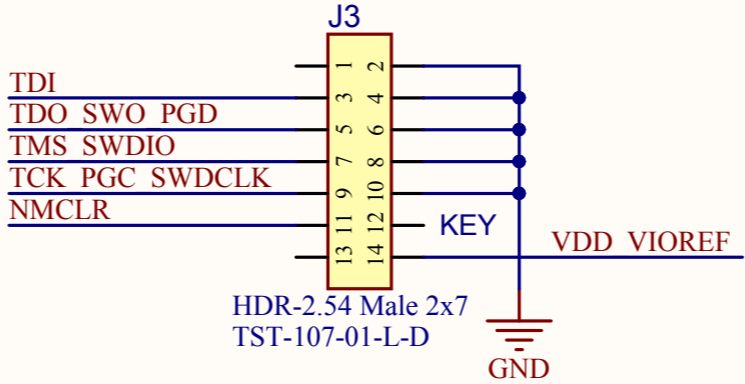
## MCHP UNIVERSAL MINI



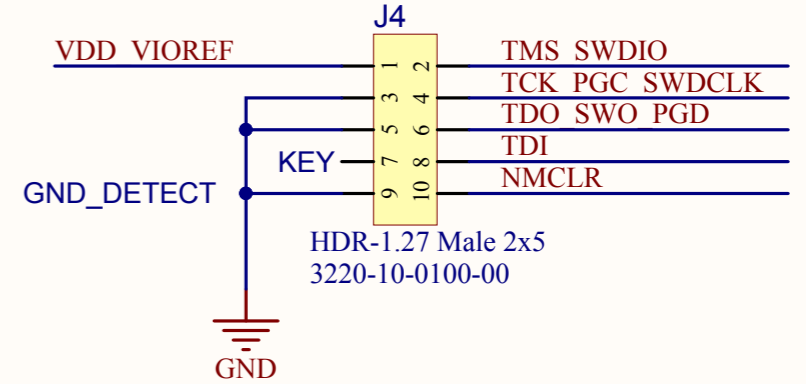
## PICKit 4 I/F



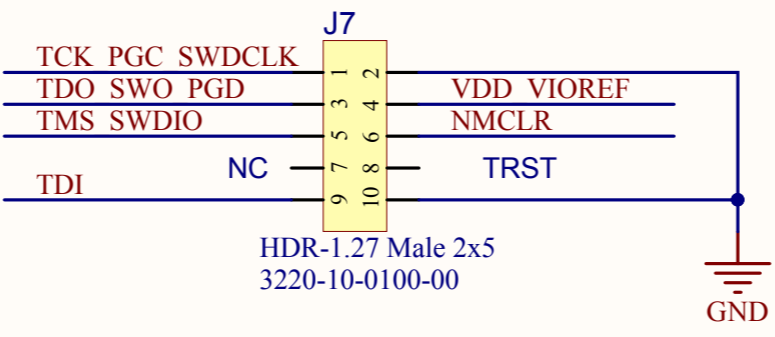
## MIPS EJTAG



## CORTEX JTAG/SWD (10 PIN MINI)



## AVR JTAG (10 PIN MINI)



Drawn By: M. Ragsdale	
Engineer: M. Ragsdale	
PartNumber: 03-10685	Project Title <b>ICD4 / PICKit 4 Target Adapter Board</b>
Sheet Title <b>Connectors</b>	
Size A	Sch #:03-10685 Revision:4
Date: 1/10/2018 1:17:34 PM	Sheet 1 of 1
File: 03-10685.SchDoc	

Designed with Altium.com