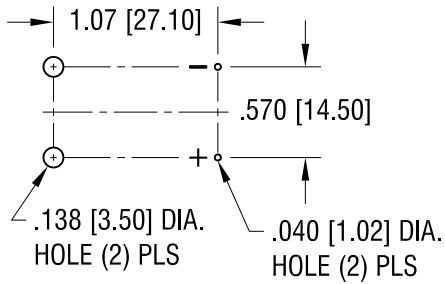
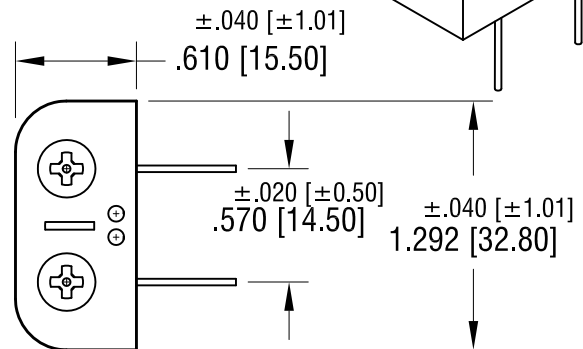
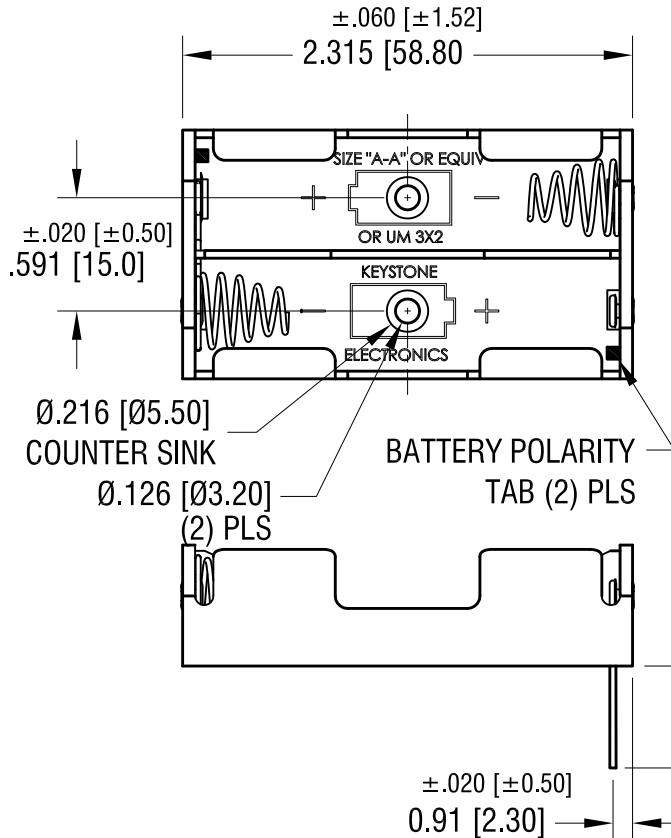
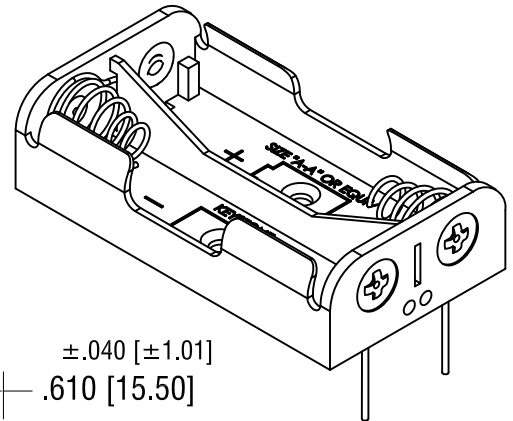


MOUNTING DETAIL



THIS DOCUMENT IS THE PROPERTY OF KEYSTONE ELECTRONICS CORP. AND SHALL NOT BE REPRODUCED, DISTRIBUTED OR USED AS A BASIS FOR MANUFACTURE WITHOUT PRIOR WRITTEN PERMISSION FROM KEYSTONE ELECTRONICS CORP.



NOTE:

- 1. HOLDER: MAT'L: POLYPROPYLENE
- SPRING: MAT'L: MUSIC WIRE, .025 [0.63] DIA.
- PC TERMINALS: MAT'L: BRASS, .032 [0.81] DIA.

KEYSTONE ELECTRONICS CORP.			
www.keyelco.com • NEW HYDE PARK, NY 11040 • Tel (516) 328-7500			
12.28.20	CHANGE AS PER ECN 12-100	H	PART NAME
7.24.12	CHANGE AS PER ECN 12-094	G	PC BATTERY HOLDER (2) 'AA'
11.10.11	CHANGE AS PER ECN 11-153	F	MATERIAL
6.12.09	CHANGE AS PER ECN 09-066	E	AS NOTED
5.02.06	CHANGE AS PER ECN 06-025	D	FINISH
DATE	DESCRIPTION	REV.	NICKEL PLATE
			DRN BY BOONE DATE 10.11.95
			APP'D RH SCALE 1X
			TOLERANCES INCH [MM] CODE DWG NO.
			DECIMAL ±.005 [±0.13] C
			ANGULAR ± 1°
			UNLESS OTHERWISE SPECIFIED
			2462

Mouser Electronics

Authorized Distributor

Click to View Pricing, Inventory, Delivery & Lifecycle Information:

[Keystone Electronics:](#)

[2462](#)