



# TECHNICAL MANUAL

Single indicator light LS-47

EKF PROXIMA

## 1 DESCRIPTION

Single indicator light LS-47 EKF PROXIMA is used in auxiliary AC signaling and control circuits for visual indication.

Single indicator light LS-47 EKF PROXIMA complies with IEC 60947-5-1 requirements.

## 2 TECHNICAL DATA

Table 1

<b>Characteristics</b>	<b>Value</b>
Rated voltage $U_e$ , V	180-260
Frequency, Hz	40-60
Current consumed, A / at voltage, V	0,01 / 230
Light source	LED
Color	green, red, yellow, white
Degree of protection	IP20
Operating temperature, °C	- 25 to + 50
Weight, kg	0,027
Max. conductor cross-section, mm <sup>2</sup>	4
Tightening torque, N•m	0,8

### 3 OVERALL DIMENSIONS

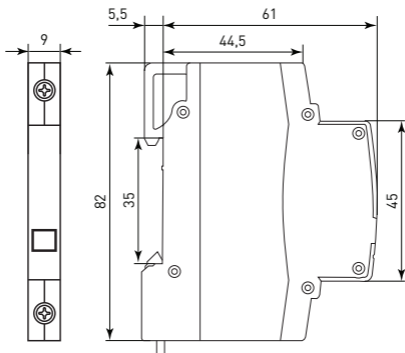


Fig. 1

### 4 INSTALLATION AND CONNECTION

Both copper and aluminum wire connections are supported. Do not connect copper and aluminum wires concurrently to the same terminal.



Fig. 2 - Wiring diagram

The single indicator light shall be installed and connected only by qualified electrical personnel.

The single indicator light shall be mounted onto the 35 mm DIN rail.

## **5 OPERATION CONDITIONS**

Operating temperature: - 25 °C to + 50 °C. Altitude above sea level: max. 2000 m.

Position in space: vertical or horizontal on a vertical plane.

## **6 DELIVERY SCOPE**

Single indicator lights are supplied in a group package (24pcs.).

For all available documentation, scan the QR-code on the insert or on the inside of the package.

## **7 SAFETY REQUIREMENTS**

Do not use or operate single indicator lights with visible mechanical damage. Single indicator lights conform to IEC 61140 Class 0 for protection against electrical shock and must be installed in distribution enclosures with Class 1 protection or higher.

## **8 MAINTENANCE**

For single indicator light maintenance, please follow national safety rules for operation of electrical Installations. Under normal operating conditions, visually inspect the device and tighten screw terminals every 6 months. Do not operate single indicator lights with visibly damaged housing.

## **9 STORAGE AND TRANSPORTATION**

Single indicator lights can be transported by any means of enclosed transport that protects the packaged goods from mechanical impact and weather exposure. Single indicator lights shall be stored indoors, in their original packaging at the ambient temperatures from -40°C to+55°C and relative humidity of max. 80% at +25°C

## **10 DISPOSAL**

Life-expired and failed single indicator lights must be disposed of in compliance with the effective national and local laws and regulations.

To dispose of the device, please, send it to an authorized recycling company in compliance with the effective national and local laws and regulations.

## **11 MANUFACTURER'S WARRANTY**

Warranty period: 7 years from the date of sale specified in the sales receipt.

Shelf life: 7 years from the date of manufacture specified on the product package or housing.

Service life: 20 years.

**Manufacturer:** for information, refer to the product package.

**Importer and EKF trademark service representative:**

EKF ELECTRICAL SOLUTION – FZCO, Dubai Silicon Oasis, DDP, Building A2, Dubai, United Arab Emirates.

**Importer and EKF trademark service representative on the territory of the Russian Federation:**

000 «Electroresheniya», Otradnaya st., 2b bld. 9, 5th floor, 127273, Moscow, Russia. Tel.: +7 (495) 788-88-15.

**Importer and EKF trademark service representative on the territory of the Republic of Kazakhstan:**

TOO «Energoresheniya Kazakhstan», Kazakhstan, Almaty, Bostandyk district, Turgut Ozal st., 247, apt 4.

## 12 CERTIFICATE OF ACCEPTANCE

Single indicator lights LS-47 EKF PROXIMA have been approved for operation.

Date of manufacture:

For information, refer to the product package.

Technical control stamp



[ekfgroup.com](http://ekfgroup.com)

v2