

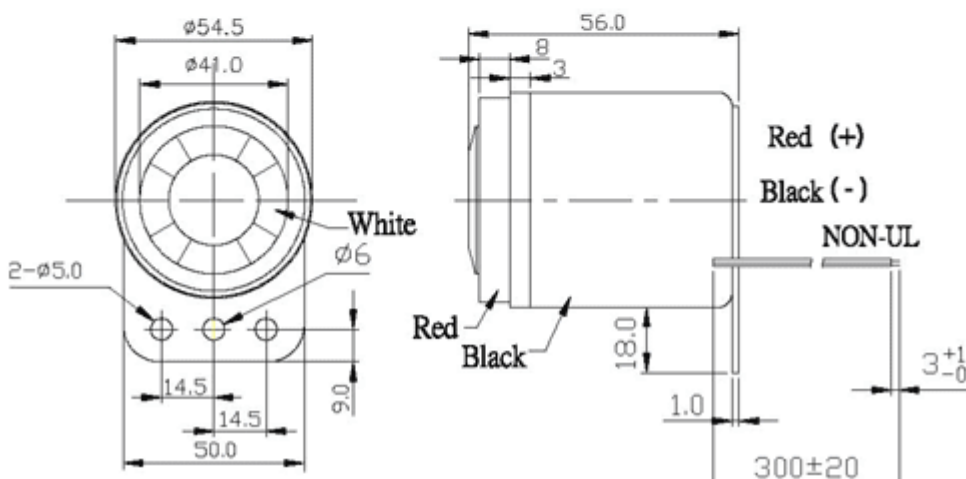
Shape

KPEG1600



Model Number	KPEG1600
Frequency Range (Hz)	2,000 ~ 4,000
Operating Voltage Range (VDC)	6 ~ 16
Current Consumption (mA)	Max. 260@12VDC
Sound Pressure Level (dB)	Min. 105dB@100cm / 12VDC
Tone	Siren
Operating Temperature (°C)	-20 ~ +60
Storage Temperature (°C)	-30 ~ +70
Weight (Gram)	91.6
Material	ABS UL-94 1/16" HB

Dimension



The specification is for reference only. Please confirm the detailed approval sheets before ordering with us.
Kingstate reserves the right to revise or withdraw specifications without advanced notice.