

Data sheet

Art.No.: 58.504.7055.0

Multi-tier terminal WT 4 E

Duo Feed-through terminal with Screw connection for mounting on TS 35, nominal cross section: 4 mm², width: 6 mm, color: grey



Art.No.	58.504.7055.0
EAN	4049088164415
Order Unit	100

Certificates / Approvals



SEV-Ex



Technical data

General

Nominal cross section	4 mm ²
Color	Grey
Number of levels	2
Number of clamp positions per level	2
Width/grid dimension	6 mm
Insulating housing	PA666
Inflammability class of insulation material acc. with UL94	V0
Mounting method	DIN rail (top hat rail)
Terminal blocks for electrical installations	No

Technical data

Rated current	32 A
Rated voltage	800 V
Rated impulse voltage	8 kV
Pollution degree	3
Closing plate required	Yes
Type of insulation material	Thermoplastic
Length	73 mm

Connection Data

Connection type 1	Screw connection
Connection type 2	Screw connection
Minimum cross section solid	0.14 mm ²
Maximum cross section solid	6 mm ²
Minimum cross section fine stranded	0.14 mm ²
Maximum cross section fine stranded	6 mm ²

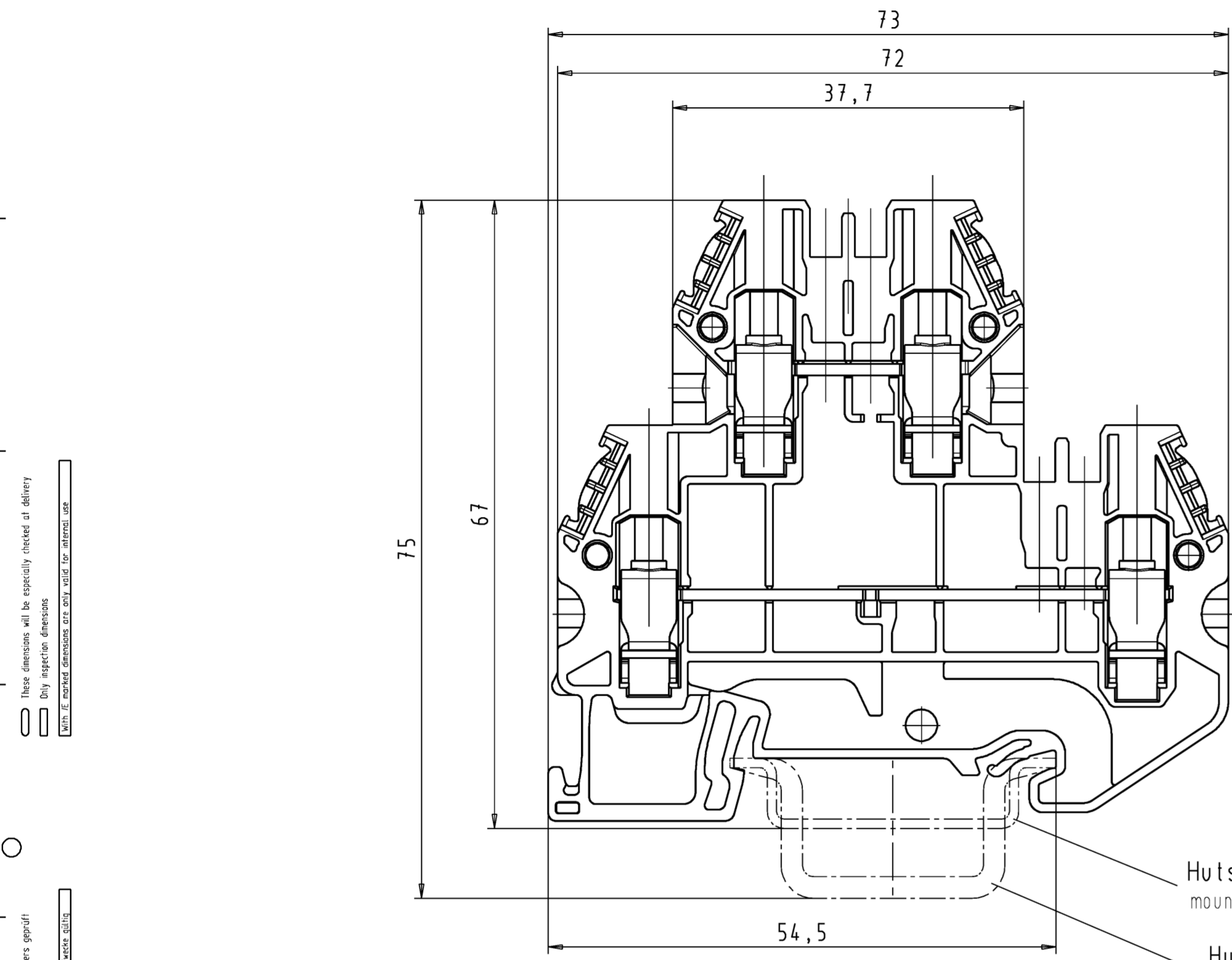
Minimum conductor cross section (flex., stranded) with cable end sleeve	0.5 mm ²
Maximum conductor cross section (flex., stranded) with cable end sleeve	4 mm ²
Wire strip length	9 mm
Torque conductor mounting	0.5 Nm

Technical Data UL/CSA

Cross section UL	26-10 AWG
Voltage UL	300 V
Current factory wiring	30 A
Current field wiring	30 A
Cross section CSA	26-10 AWG
Voltage CSA	300 V
Current CSA	30 A

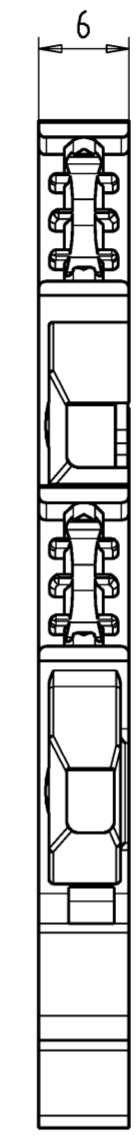
Classification

ECLASS 8.1	27141120
ETIM 7.0	EC000897
ETIM 6.0	EC000897
ETIM 5.0	EC000897
ETIM 4.0	EC000897
ETIM 3.0	EC000897

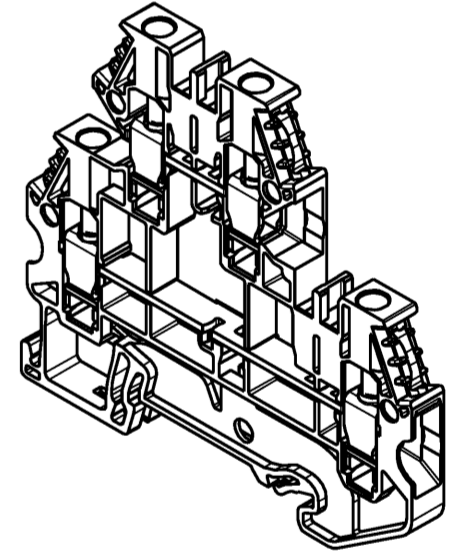


Hutschiene EN 60715-35x7,5
mounting rail EN 60715-35x7,5

Hutschiene EN 60715-35x15
mounting rail EN 60715-35x15



M/scale 1:1



Teile-Nr./part no.	Farbe/color	Typ/type
58.504.7055.0	grau/grey	WT 4 E
⑥ 58.504.7055.3	schiefergrau/slate grey	WT 4 E GR
58.504.7055.5	rot/red	WT 4 E RT
58.504.7055.6	blau/blue	WT 4 E BL
58.504.7055.9 ohne UL-;CSA- und ATEX-Kennzeichnung without UL-;CSA- and ATEX-sign	orange/orange	WT 4 E OR

Weitere Daten siehe KATALOG oder eKatalog
additional data see CATALOG or eCATALOG

www.wieland-electric.com
eshop.wieland-electric.com

Tolerierung Size ISO 14405 © / Tolerance system Size ISO 14405 ©
(This ISO-standard describes the envelope principle. According to the envelope principle the deviations of form and parallelism are limited by the size tolerances)

ja/yes Stoffverbot- und Deklarationsliste nach WN 5020.010 ist einzuhalten.
(Conformity with Wieland document WN 5020.010 e (list of prohibited / declarable hazardous substances) to be declared!)

Freitoleranz nach General tolerance CAD - Zeichnung, keine manuellen Änderungen CAD - drawing, no manual modifications allowed 1. Verwendung: First Use: Blatt: 1 von 1 Sheet: 1 of 1

Werkstoff / Material	Tag/Date	Name	Zeichnung Nr. / Drawing No.	Index
	18.01.2013	Schmitt J.	T 58.504.7055.0 01K	b

Maße in mm / Dimensions are in mm

Vol. mm³ Dfl./Srf. mm² Ersatz für / Replacement for:

b 22.03.2017 / a 16.03.2015 / Index Datum / Blatt Date / Sheet

Änderung / Revision

wieland
www.wieland-electric.com

Type Benennung/Title
ETAGENKLEMME
double deck terminal block

These dimensions will be especially checked at delivery
Only inspection dimensions
With these dimensions are only valid for internal use

Diese Maße werden bei Abnahme besonders geprüft
Ausdrücklich Prüfmaße
Mit diesen Maßen sind nur für interne Zwecke gültig

Weitere sowie Verfertigung dieses Dokuments, Verwertung und Mitteilung seines Inhalts sind verboten, soweit nicht ausdrücklich gestattet.
The reproduction, distribution and utilization of this document as well as the communication of its contents to others without express authorization is prohibited.