

5

4

3

2

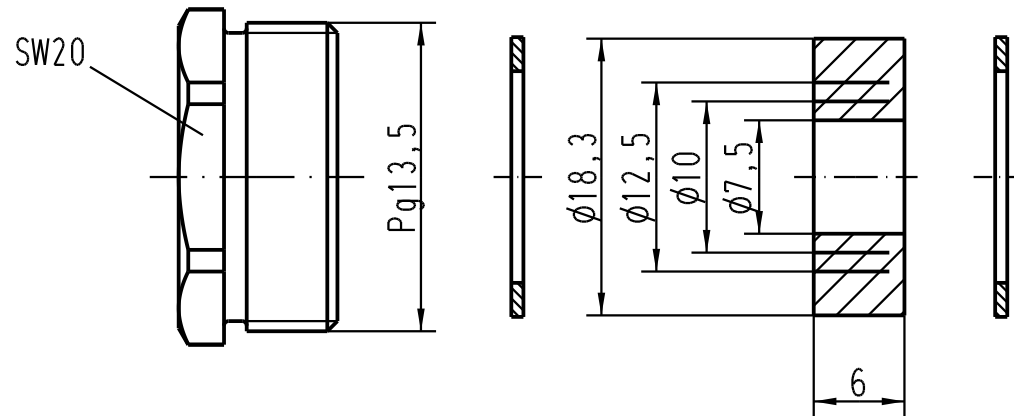
1

D

C

B

A



Kabel- ϕ /cable- ϕ : min.6,5; max.13,5

All Dimensions in mm Original Size DIN A 4			Techn. Character.			Nicht tolerierte Masse/ Free size tolerances		
				Dat.	Name	Massstab/Scale		
			Detail.	7.12.98	Kö	2:1		
			Insp.		SDT.			
			Stand.					
410862	23.11.04	Loe.	HARTING Electric GmbH & Co. KG			TB 09 00 000 5014 für Standard-Gehäuse; Pg13,5 / for standard housings; Pg13,5		
24863			D-32339 Espelkamp					
Mod.	Dat.	Name				Sub. TB 09 00 000 501. v. 1.2.93		
						Blatt/ page		

Mouser Electronics

Authorized Distributor

Click to View Pricing, Inventory, Delivery & Lifecycle Information:

[HARTING:](#)

[09000005014](#)