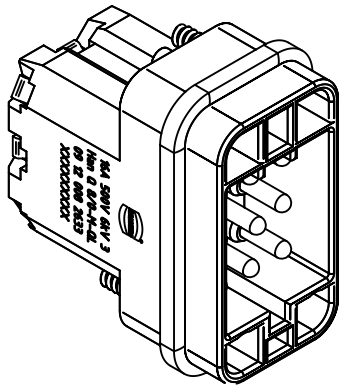


16A 500V 6kV 3
 Han Q 8/0-M-QL
 09 12 008 2633
 XXXXXXXXXXXX

self-tapping screw
 ISO 7049-ST 2,9x9,5-F-H

seal



Coating	A=	mm ²	V=	mm ³	m=	g	Mat.
	All Dimensions in mm Original Size DIN A4		Scale 2:1	Free size tol.			Ref. Sub.
	All rights reserved Department EL PD - DE	Created by FINKEV	Inspected by BERGHORN	Standardisation TIEMANNA	Date 2015-06-24	State Final Release	
HARTING Electric GmbH & Co. KG D-32339 Espelkamp		Title Han Q8/0-M-QL			Doc-Key / ECM-Nr. 100172291/UGD/006/A 500000089177		
		Type TB	Number 09 12 008 2633			Rev. A	Page 1/1

Mouser Electronics

Authorized Distributor

Click to View Pricing, Inventory, Delivery & Lifecycle Information:

[HARTING:](#)

[09120082633](#)