

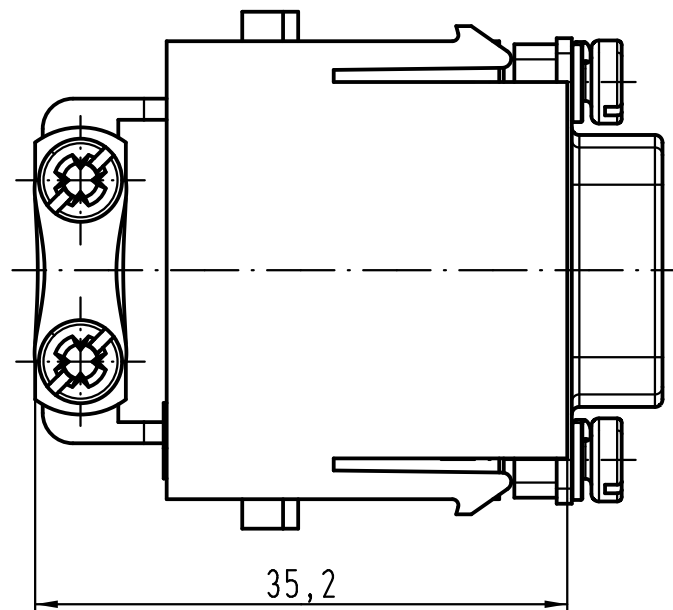
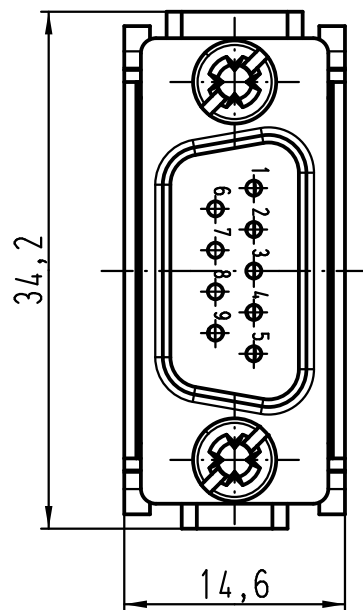
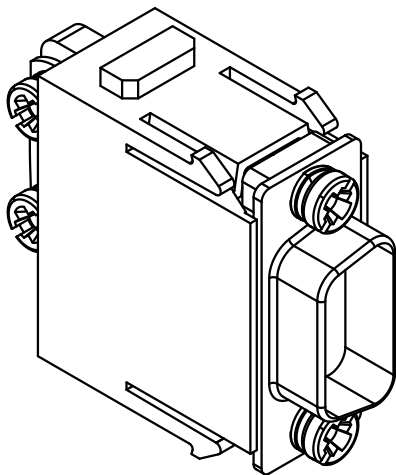
1 2 3 4 5 6

A

B

C

D



All Dimensions in mm Original Size DIN A 4		Techn. Character.			Nicht tolerierte Maße/Free size tolerances	
			Dat.	Name	Maßstab/Scale 2:1	Han D-Sub-M
			Detail.	30.11.11 Spr		
			Insp.	Be		
			Stand.			
A			HARTING Electric GmbH & Co. KG			TB 09 14 009 3001
Mod.	Dat.	Name	D-32339 Espelkamp			
						Sub. TB 09 14 009 3001 v. 03.02.03
						Blatt/page

Mouser Electronics

Authorized Distributor

Click to View Pricing, Inventory, Delivery & Lifecycle Information:

[HARTING:](#)

[09140093001](#)