

5

4

3

2

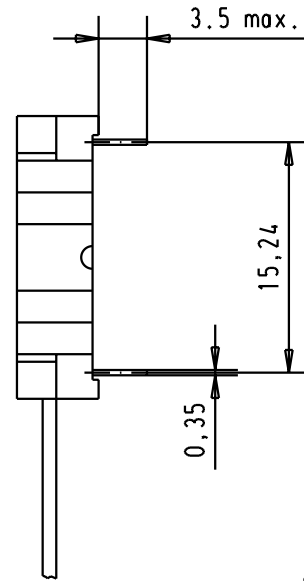
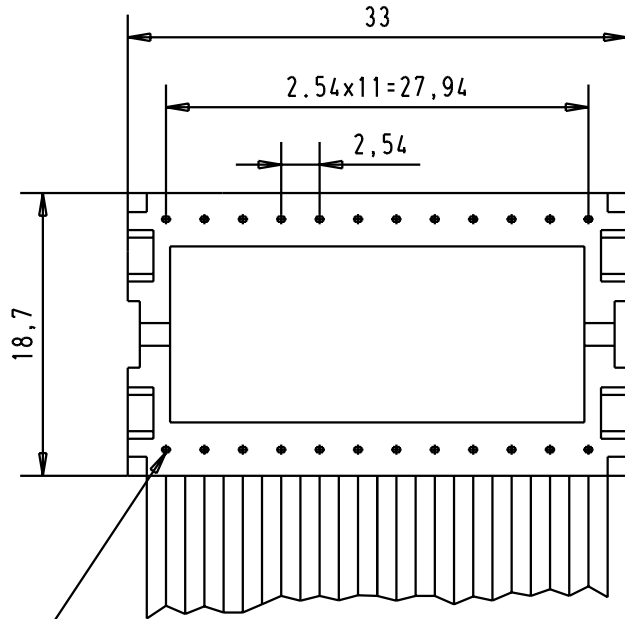
1

D

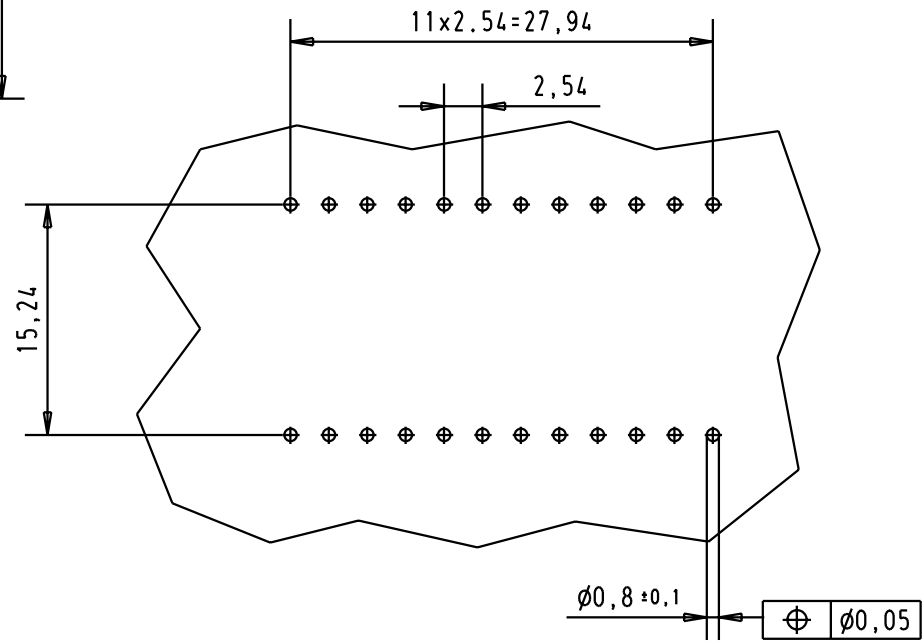
C

B

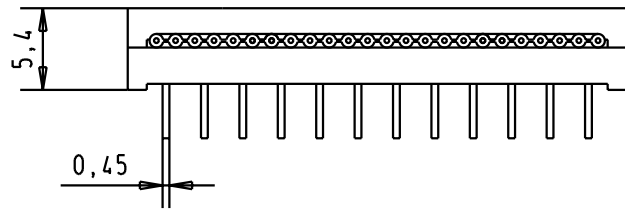
A





Printed board layout



1. Leiter / 1st wire / 1er cable



				Dat.	Name	 All Dim. in mm Orig. Size DIN A 4	SEK 17 DIP connector 24 poles, for IC base or for soldering into P.C. boards Tinned contact	Maßstab/ Scale 2 : 1
			Detail.	25-APR-02	CV			
			Insp.					
			Stand.					
29778	25-APR-02	CV	HARTING EURL F-95972 Paris				TB 09170249622	Blatt/ Page 1 /
Mod.	Dat.	Name						

Mouser Electronics

Authorized Distributor

Click to View Pricing, Inventory, Delivery & Lifecycle Information:

[HARTING:](#)

[09170249622](#)