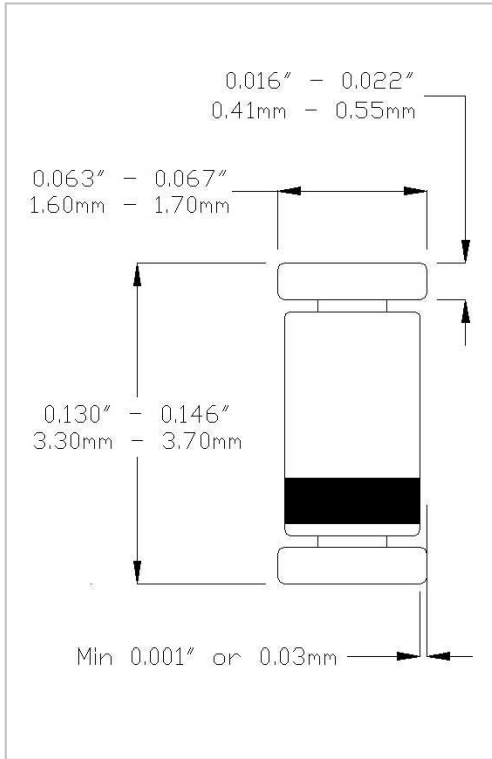


1N4150UR-1

FEATURES

- 1N4150UR-1 AVAILABLE IN JAN, JANTX, AND JANTXV PER MIL-PRF-19500/231
- SWITCHING DIODE
- METALLURGICALLY BONDED
- HERMETICALLY SEALED
- DOUBLE PLUG CONSTRUCTION
- ALSO AVAILABLE AS LL4150, CDLL4150, & MLL4150



MAXIMUM RATINGS AT 25 °C

Operating Temperature:	-65°C to +175°C
Storage Temperature:	-65°C to +175°C
Surge Current A, sine 1uS:	4.0A
Surge Current B, sine 1S:	0.5A
Total Power Dissipation:	500mW
Operating Current:	200mA, T _A = +25°C to +110°C
Derating Factor:	3.1mA/°C above T _{EC} = +110°C
D.C. Reverse Voltage (VRWM):	50V

DC ELECTRICAL CHARACTERISTICS

V _F				I _R				V _{BR}			
Ambient (°C)	I _F mA	Min V	Max V	Ambient (°C)	V (dc)	Min μA	Max μA	Ambient (°C)	I _R μA	Min V	Max V
25	1	.54	.62	25	50	-	0.1	25	10	75	-
25	10	.66	.74	150	50	-	100				
25	50	.76	.86								
25	100	.82	.92								
25	200	.87	1.00								

DESIGN DATA

Case: Hermetically sealed glass package per MIL-PRF-19500/231 DO-213AA outline

Lead Material: Copper clad steel

Lead Finish: Tin/Lead

Thermal Resistance (R_{θJEC}): 100°C/W maximum

Thermal Impedance (Z_{θJX}): 70°C/W maximum

Polarity: Cathode end is banded.

AC ELECTRICAL CHARACTERISTICS AT 25°C

	Symbol	Min	Max
Capacitance @ 0V	pF	-	2.5
T _{RR} @ I _F =I _R =10mA, I _{Rec} =1mA.	nsec	-	4
V _{FR} @ I _F =200mA	V	-	5
T _{FR} @ I _F =200mA	nsec	-	10



WWW.MICROSEMI.COM

IRELAND - GORT ROAD, ENNIS, CO. CLARE

PHONE: +353 65 6840044
TOLL FREE: +186 62 702434
FAX: +353 65 6822298

U.S.A. DOMESTIC SALES CONTACT

PHONE: (617) 926 0404
TOLL FREE: 1 800 666 2999

Mouser Electronics

Authorized Distributor

Click to View Pricing, Inventory, Delivery & Lifecycle Information:

Microsemi:

[1N4150UR-1](#) [JANTXV1N4150UR-1](#) [Jantx1N4150UR-1](#) [JAN1N4150UR-1](#) [1N4150UR-1/TR](#) [JAN1N4150UR-1/TR](#)
[Jantx1N4150UR-1/TR](#) [JANTXV1N4150UR-1/TR](#) [CDS4150UR-1](#)