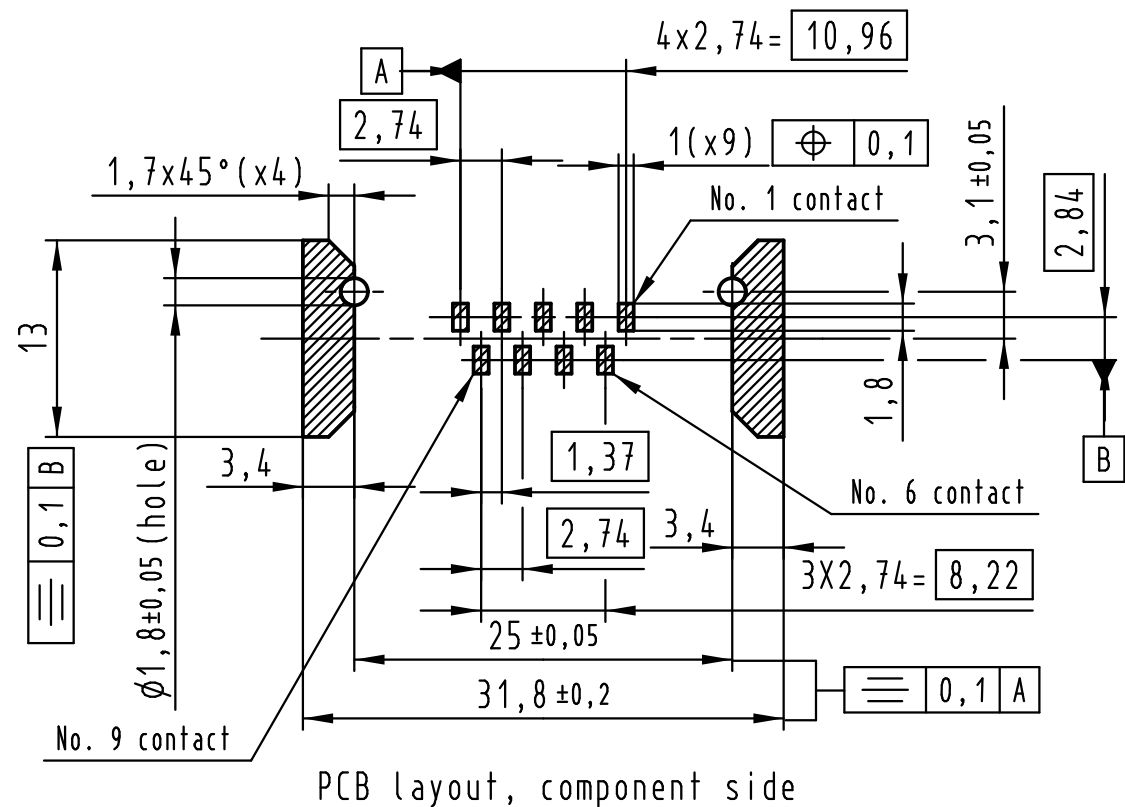
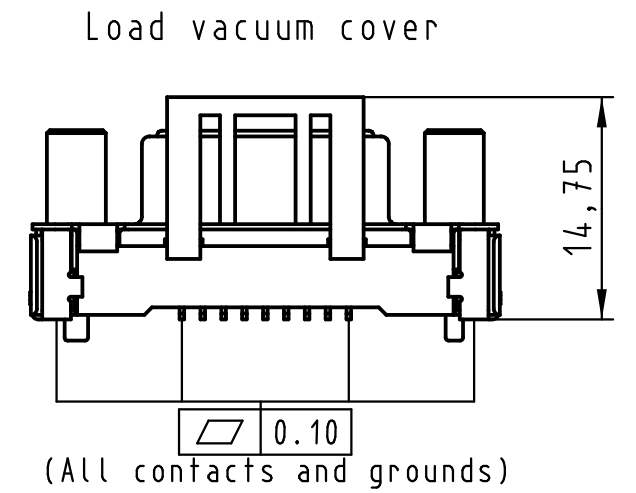
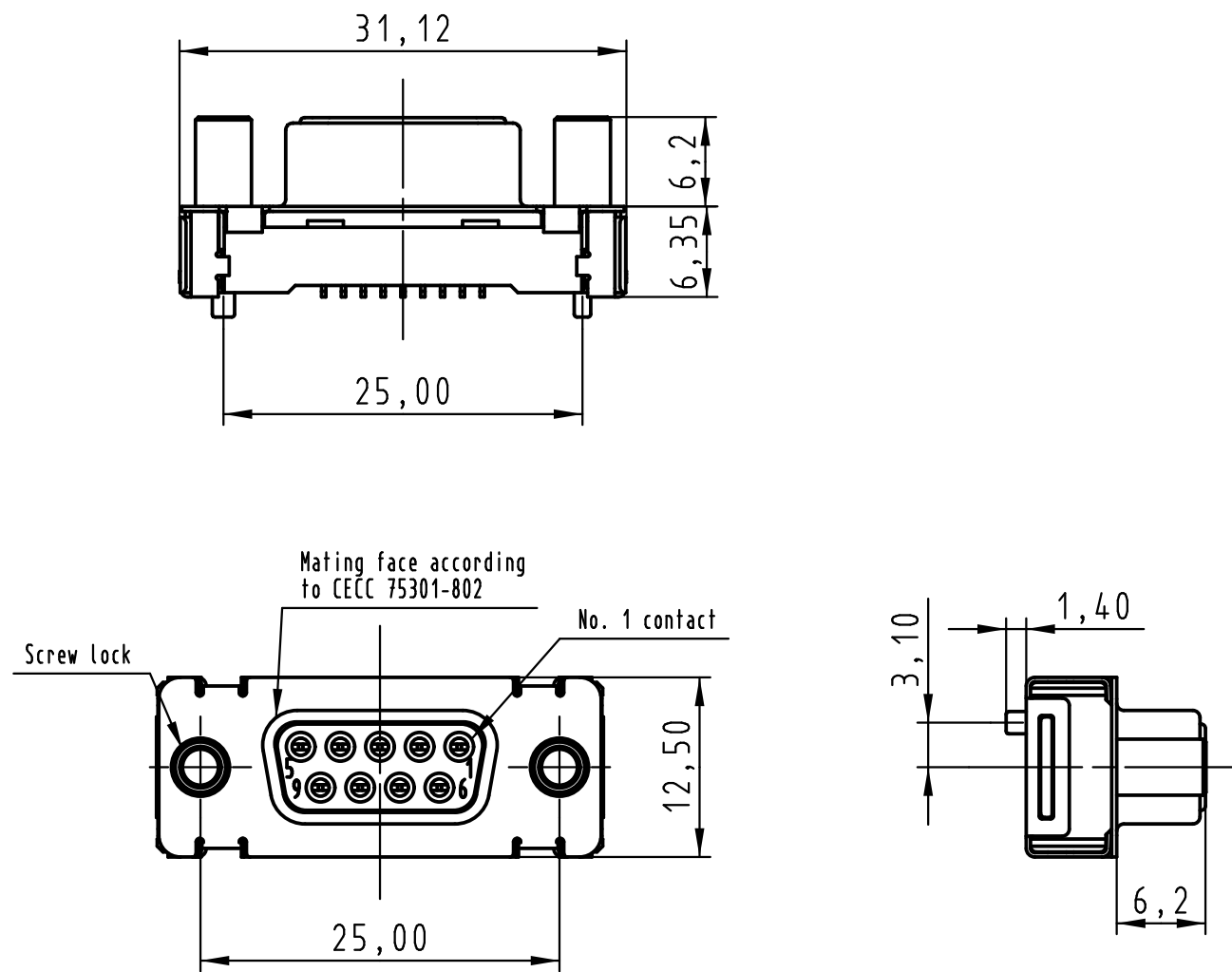


All rights reserved



Max. Temperature: 260° during 10 seconds.

0955 115 3621 741	1	M3	Black insulator	Reel Packaging: 140 connectors (See details on page2/2)															
0955 115 3622 741	1	4-40 UNC																	
0955 115 6621 741	2	M3																	
0955 115 6622 741	2	4-40 UNC																	
0955 115 7621 741	3	M3																	
0955 115 7622 741	3	4-40 UNC																	
Part number	PL	Screw lock	Index designation																
		Techn. Character.		Free size tolerances															
		<table border="1"> <tr> <td></td> <td>Dat.</td> <td>Name</td> <td>Scale</td> </tr> <tr> <td>Detail.</td> <td>14-Sep-11</td> <td>Johnson.S</td> <td rowspan="3">2:1</td> </tr> <tr> <td>Insp.</td> <td>17-Nov-11</td> <td>Steven.W</td> </tr> <tr> <td>Stand.</td> <td>17-Nov-11</td> <td>Steven.W</td> </tr> </table>			Dat.	Name	Scale	Detail.	14-Sep-11	Johnson.S	2:1	Insp.	17-Nov-11	Steven.W	Stand.	17-Nov-11	Steven.W	D-Sub SMT, 9 poles Female, Straight with screw locks and ground pads	
	Dat.	Name	Scale																
Detail.	14-Sep-11	Johnson.S	2:1																
Insp.	17-Nov-11	Steven.W																	
Stand.	17-Nov-11	Steven.W																	
EC04070	17-Nov-11	Johnson.S	Zhuhai HARTING Limited																
Mod.	Dat.	Name	TB 09 55 115 x62x	Page 1/2															

Mouser Electronics

Authorized Distributor

Click to View Pricing, Inventory, Delivery & Lifecycle Information:

[HARTING:](#)

[09551156622741](#) [09551157622741](#) [09551156621741](#) [09551157621741](#)