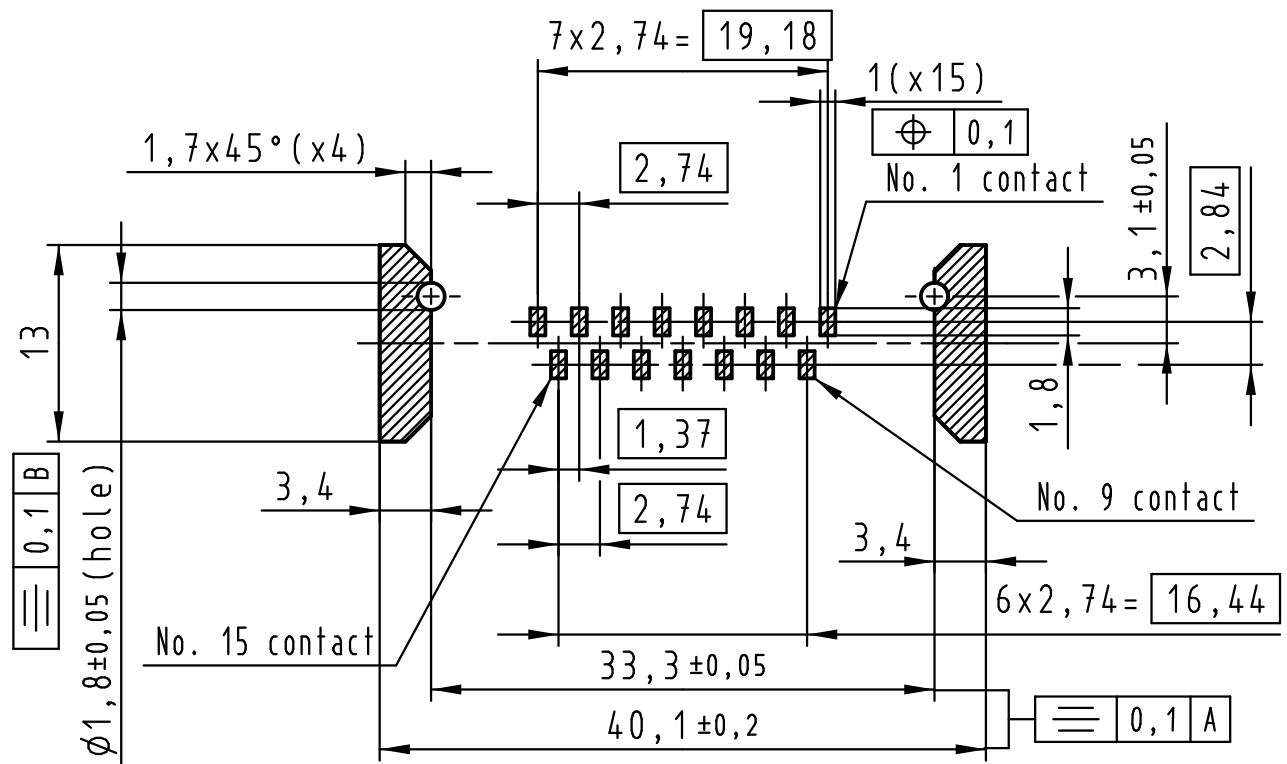
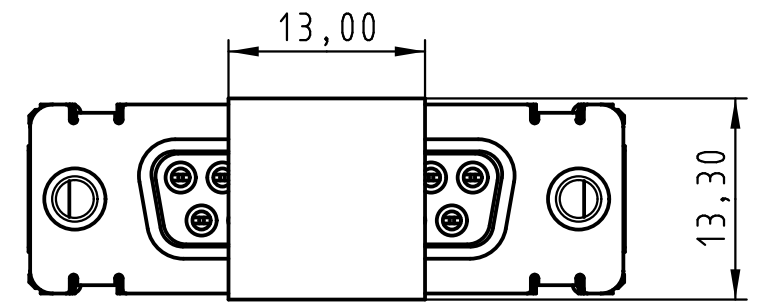
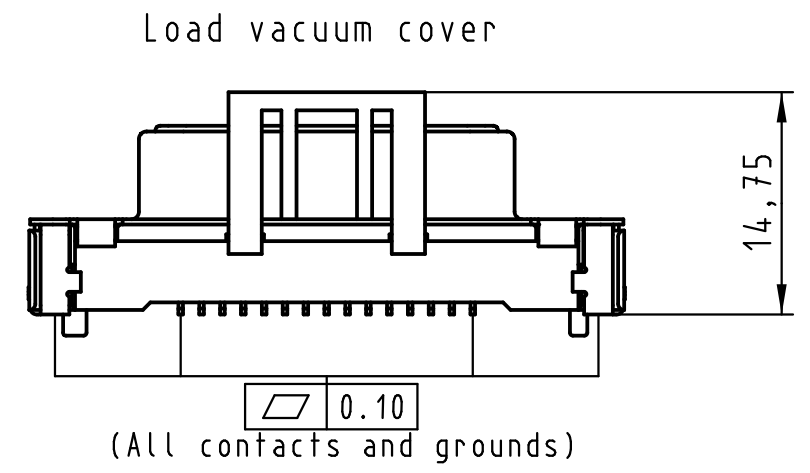
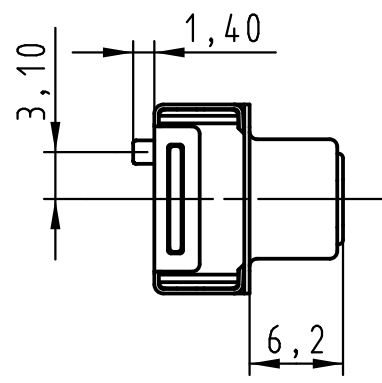
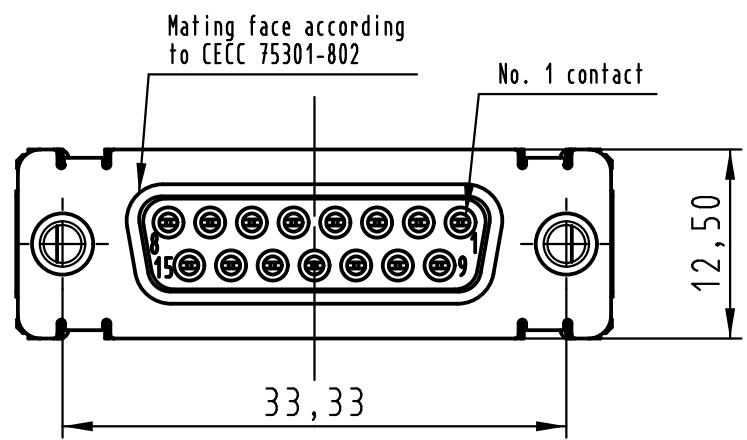
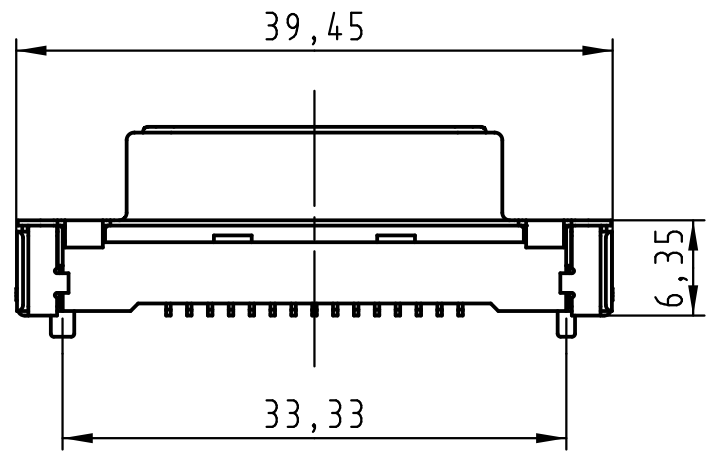


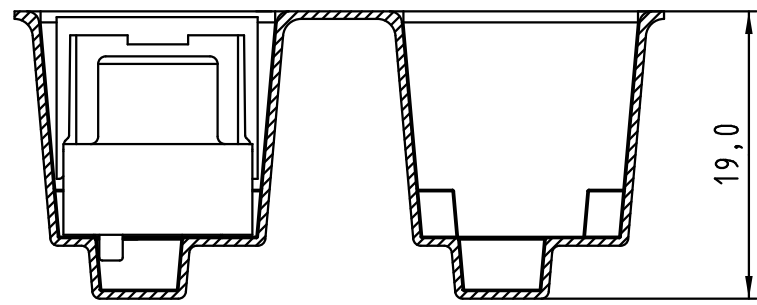
All rights reserved



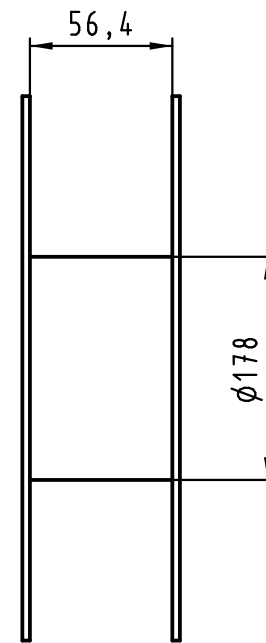
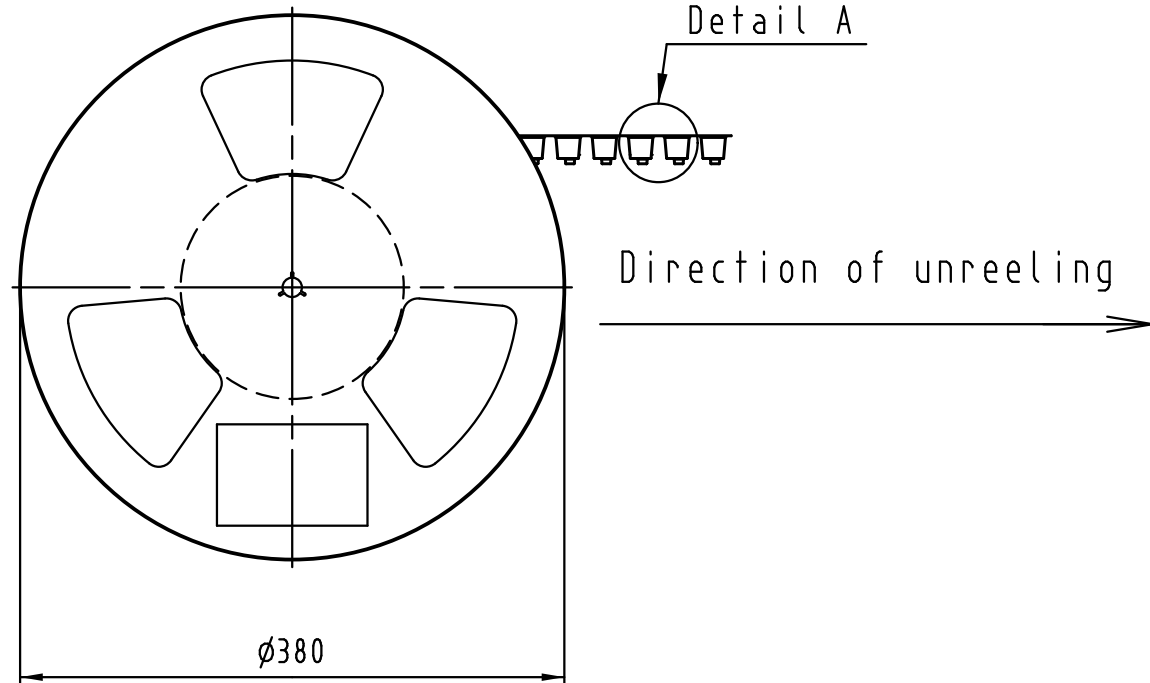
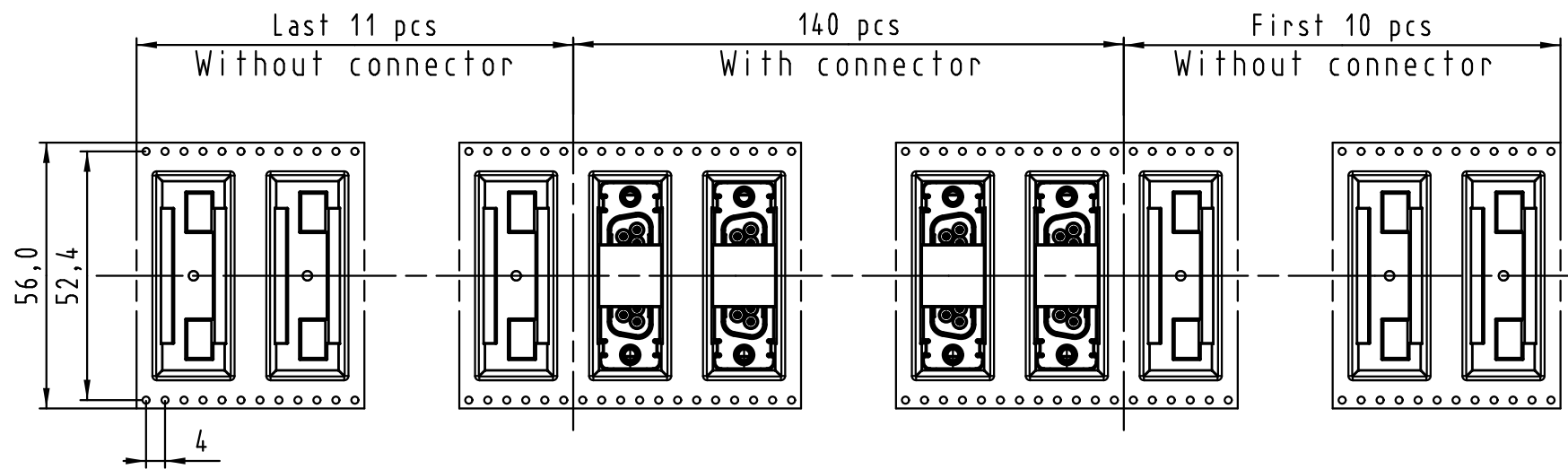
PCB layout, component side

Max. Temperature: 260° during 10 seconds.

0955 215 3611 741	1	M3	Black insulator	Reel Packaging: 140 connectors (See details on page2/2)
0955 215 3612 741	1	4-40 UNC		
0955 215 6611 741	2	M3		
0955 215 6612 741	2	4-40 UNC		
0955 215 7611 741	3	M3		
0955 215 7612 741	3	4-40 UNC		
Part number	PL	Nut	Index designation	
All Dimensions in mm Original Size DIN A 3		Techn. Character.		Free size tolerances
		Dat.	Name	Scale
		Detail.	25-Oct-11 Johnson.S	2:1
		Insp.	17-Nov-11 Steven.W	
		Stand.	17-Nov-11 Steven.W	
EC04070	17-Nov-11	Johnson.S	Zhuhai HARTING Limited	
Mod.	Dat.	Name	TB 09 55 215 x61x	Page 1/2
			Sub.	



Detail A



See TB 09 55 215 x61x folio 1/2 for connector dimensions and PCB layout

Packaging in accordance with EIA 481-2.

0955 215 3611 741	1	M3	Black insulator	Reel Packaging: 140 connectors
0955 215 3612 741	1	4-40 UNC		
0955 215 6611 741	2	M3		
0955 215 6612 741	2	4-40 UNC		
0955 215 7611 741	3	M3		
0955 215 7612 741	3	4-40 UNC		
Part number	PL	Nut	Index designation	

All Dimensions in mm Original Size DIN A 3	Techn. Character.			Free size tolerances	
		Dat.	Name	D-Sub SMT, 15 poles Female, Straight with nuts and ground pads	
		Detail.	25-Oct-11 Johnson.S		
		Insp.	17-Nov-11 Steven.W		
	Stand.	17-Nov-11 Steven.W			
EC04070	17-Nov-11	Johnson.S	Zhuhai HARTING Limited		TB 09 55 215 x61x Sub.
Mod.	Dat.	Name			

Mouser Electronics

Authorized Distributor

Click to View Pricing, Inventory, Delivery & Lifecycle Information:

[HARTING:](#)

[09552157611741](#) [09552157612741](#) [09552156612741](#) [09552156611741](#)