

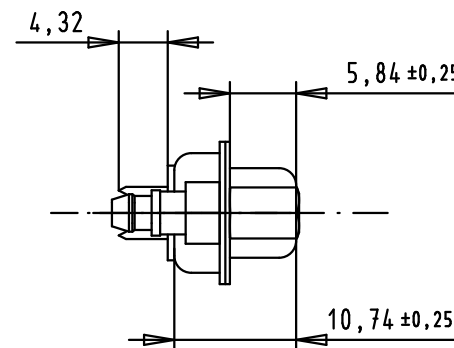
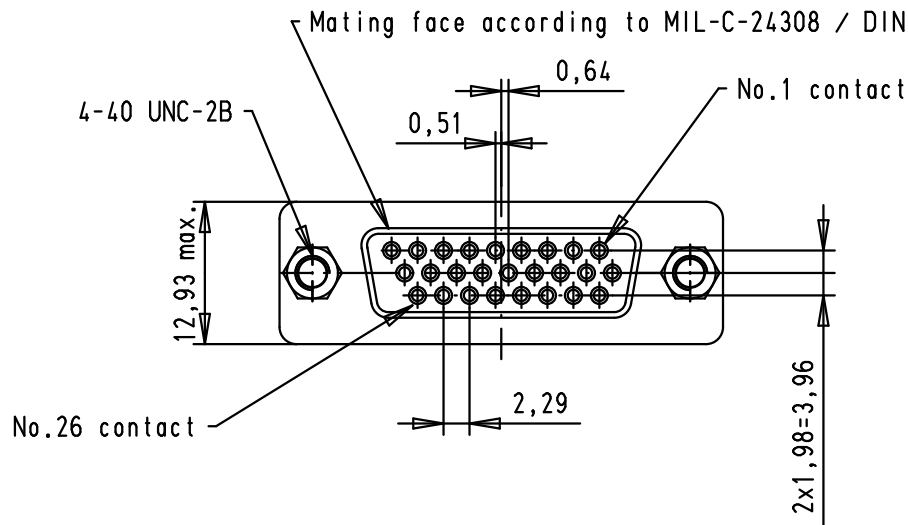
5 4 3 2 1

D

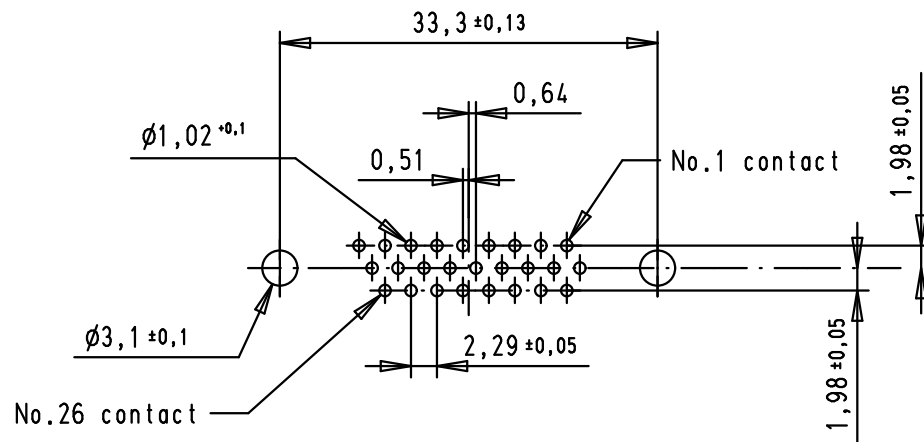
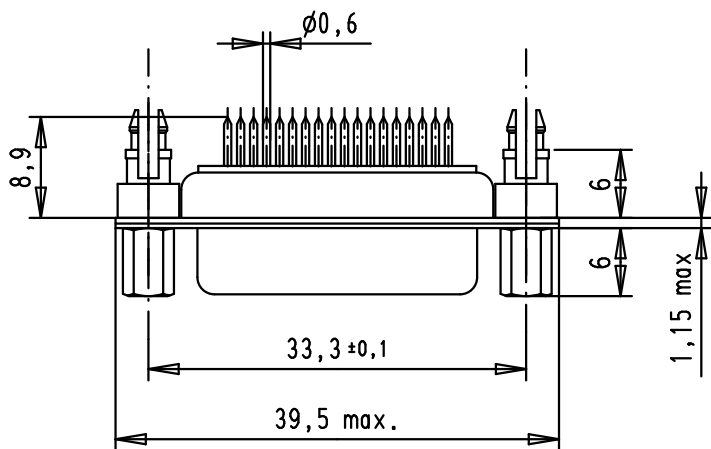
C

B

A

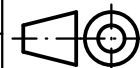


Printed board layout, component side
PCB thickness 1,6mm



09562515513	0.76 μm Au
09562517513	3
Part number	Performance level

				Dat.	Name
36183	13/10/10	BH	Detail.	3-06-03	S.H.
32977	27/07/05	JMDR	Insp.		
32735	18/03/05	AL	Stand.		
32326	03/01/05	TR	HARTING EURL F-95972 Paris		
31503	3-06-03	S.H.			
Mod.	Dat.	Name			



All Dim. in mm
Orig. Size DIN A 4



Dsub, 26 poles, female,
straight solder pins,
board locks screw lock

TB 0956251x513

Sub.

Maßstab/
Scale

1.5:1

Blatt/ Page

1 / 1

Mouser Electronics

Authorized Distributor

Click to View Pricing, Inventory, Delivery & Lifecycle Information:

[HARTING:](#)

[09562517513](#) [09562515513](#)