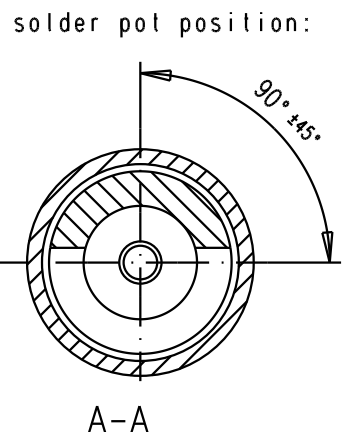
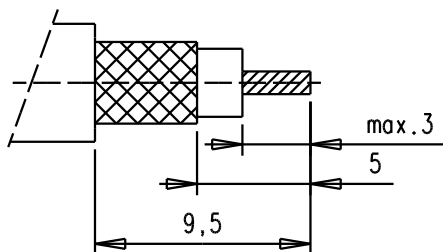


1 2 3 4 5 6

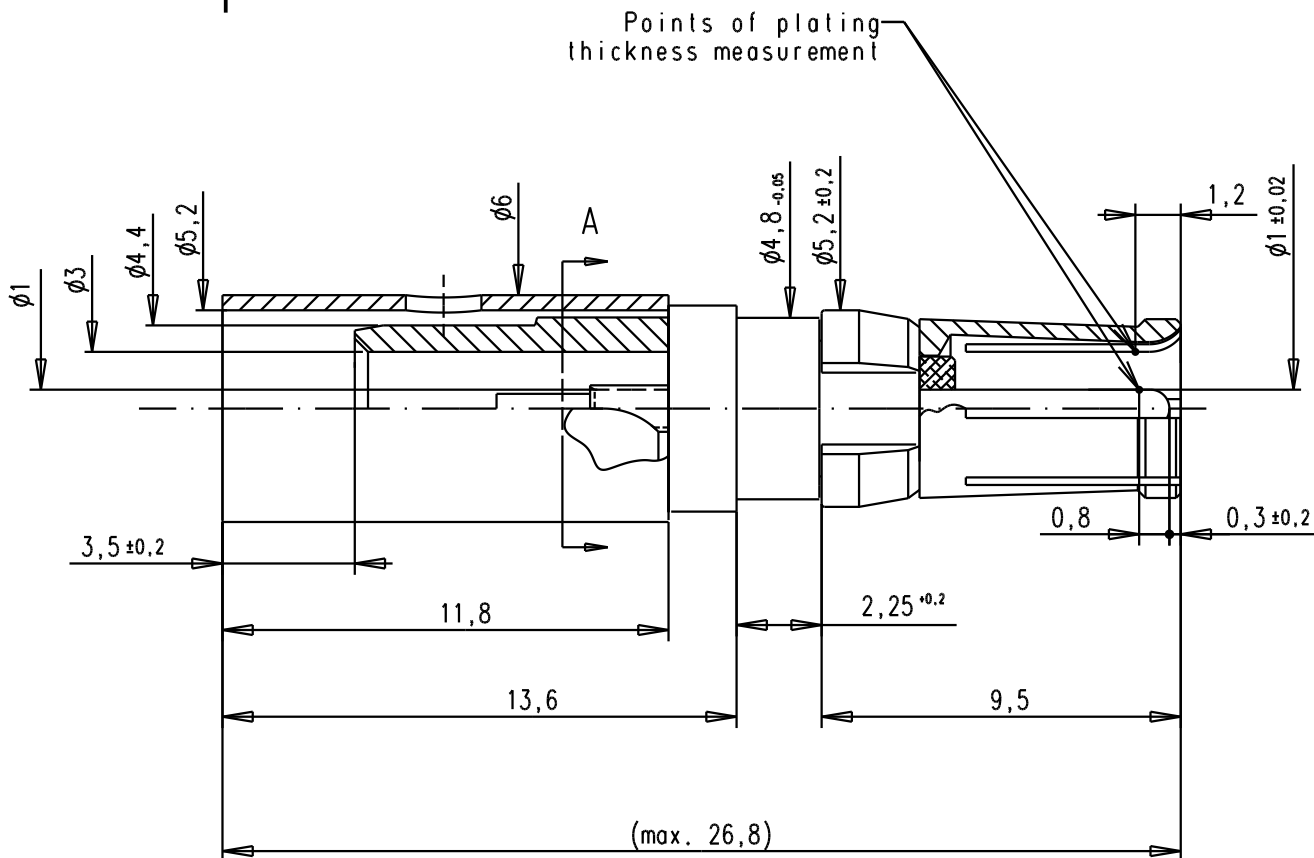
A  
B  
C



harnessing dimensions for cables RG 58CU, RG 141AU



Crimping tool of outer conductor:  
hand tool: 09 99 000 0503 00  
die: 09 99 000 0515 00  
cavity A



D

									Dol.    Name Detail. 30/09/04    TR		<p>All Dim. in mm Orig. Size DIN A 4</p>	Female coaxial contact, 50 Ω, straight cable termination inner conductor for solder termination outer conductor for solder or crimp termination		Maßstab/ Scale 5:1		
09691817143    Mating area    0,2 μm Au    0,2 μm Au								Insp.								
09691815143    Termination area    5 μm Sn    0,2 μm Au								Stand.								
				32486    13/12/04    TR				HARTING EURL F-95972 Paris				TB 09 69 181 X143		Blatt/ Page 1 / 1		
Part number    Plating    outer conductor    inner conductor												Sub.				

# Mouser Electronics

Authorized Distributor

Click to View Pricing, Inventory, Delivery & Lifecycle Information:

[HARTING:](#)

[09691815143](#) [09691817143](#)