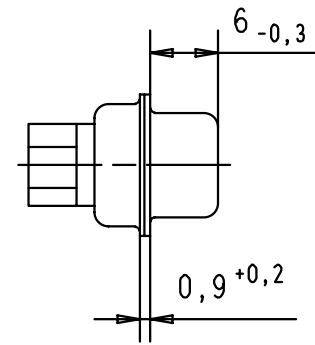
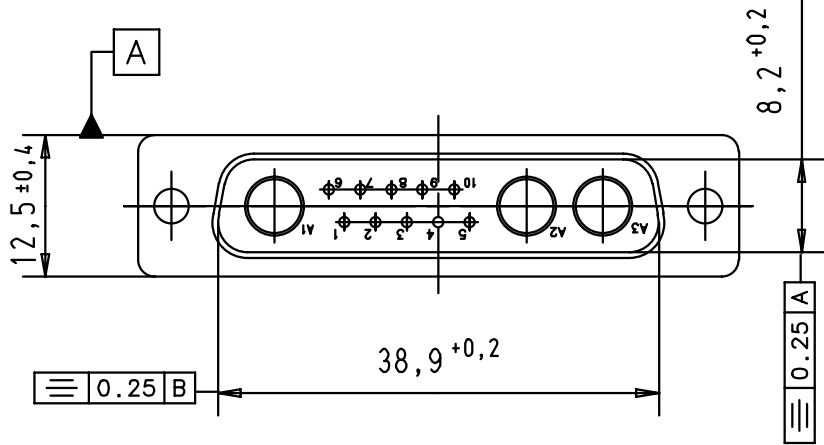
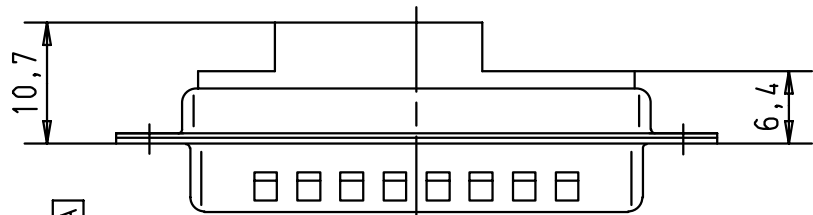


5 4 3 2 1

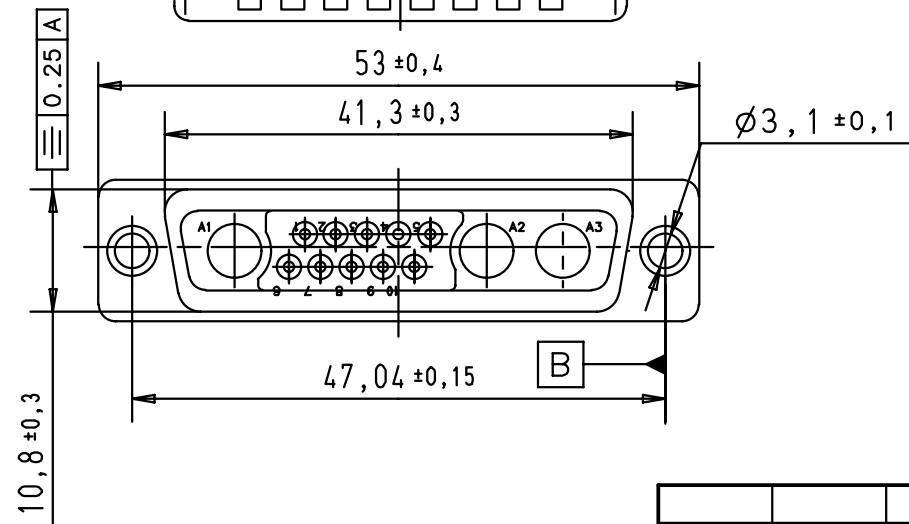
D



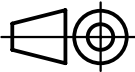

C



B



A

				Det.	Name	 All Dim. in mm Orig. Size DIN A 4	D-Sub , male, straight 13W3, without contact, Tin plated shell with dimples	Maßstab/ Scale 1.5/1
			Detail.	12/12/01	S.H.			
			Insp.					
			Stand.					
							TB 09 69 312 0133	Blatt/ Page /
	29741	12/12/01	S.H.	HARTING ELEKTRONIK F-95972 Paris				
	Mod.	Det.	Name					

# Mouser Electronics

Authorized Distributor

Click to View Pricing, Inventory, Delivery & Lifecycle Information:

[HARTING:](#)

[09693120133](#)