

PLEASE CHECK WWW.MOLEX.COM FOR LATEST PART INFORMATION

Part Number: [0019091029](#)
Status: **Active**
Overview: Standard .093" Pin and Socket Connectors
Description: 2.36mm Diameter Standard .093" Pin and Socket Receptacle Housing with Positive Latch, UL 94V-2, 2 Circuits

Documents:

3D Model	Product Specification PS-3191-001-001 (PDF)
3D Model (PDF)	Packaging Specification 31910002-PK-000 (PDF)
Drawing (PDF)	RoHS Certificate of Compliance (PDF)

Agency Certification

CSA	LR19980
UL	E29179

General

Product Family	Crimp Housings
Series	3191
Application	Power, Wire-to-Board, Wire-to-Wire
Comments	Polarized to Mating Part, without Mounting Ears
Overview	Standard .093" Pin and Socket Connectors
Product Name	Standard .093"
UPC	800753594463

Physical

Breakaway	No
Circuits (maximum)	2
Color - Resin	Natural
Flammability	94V-2
Gender	Receptacle
Glow-Wire Capable	No
Keying to Mating Part	None
Lock to Mating Part	Yes
Material - Resin	Nylon
Net Weight	2.117/g
Number of Rows	1
Packaging Type	Bag
Panel Mount	No
Pitch - Mating Interface	6.70mm
Polarized to Mating Part	Yes
Stackable	No
Temperature Range - Operating	-40° to +105°C

Electrical

Current - Maximum per Contact	12.0A
-------------------------------	-------

Solder Process Data

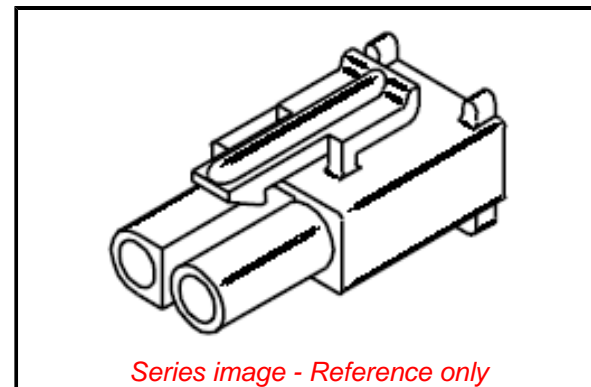
Lead-freeProcess Capability	N/A
-----------------------------	-----

Material Info

Engineering Number	3191-2R1
--------------------	----------

Reference - Drawing Numbers

Packaging Specification	31910002-PK-000
Product Specification	PS-3191-001-001
Sales Drawing	SD-3191-2X



EU ELV

Not Relevant

EU RoHS

Compliant

REACH SVHC

Not Contained Per -
D(2020)4578-DC (25
June 2020)

Halogen-Free

Status

Low-Halogen

For more information, please visit [Contact US](#)

China ROHS

ELV

RoHS Phthalates

China RoHS

Green Image

Not Relevant

Not Contained

Search Parts in this Series

[3191](#) Series

Mates With

[19092026](#) , [19092027](#) , [19092028](#) ,
[19092029](#) , [5219](#)

Use With

[1189](#) Crimp Terminals, [1190](#) Crimp Terminals, [1380](#) Male Crimp Terminals, [1381](#) Female Crimp Terminals, [1433](#) Crimp Terminals, [1434](#) Male Crimp Terminals, [2605](#) , [2606](#) , [1973](#) , [2151](#) , [2273](#) , [2870](#) , Link:[2871](#) , [4272](#)

This document was generated on 08/19/2020

PLEASE CHECK WWW.MOLEX.COM FOR LATEST PART INFORMATION

Mouser Electronics

Authorized Distributor

Click to View Pricing, Inventory, Delivery & Lifecycle Information:

[Molex:](#)

[19-09-1029](#)