



# har-flexicon 2.54 PCB print terminal block, horizontal



## General information

Design	PCB print terminal block, horizontal	
No. of contacts	2-12 pole	
Contact pitch	2,54 mm	
Test voltage	2,5 kV	
Rated voltage	160 V	overvoltage category III / pollution degree 2
Contact resistance	max. 20mOhm	
Insulation resistance	min. 10 <sup>9</sup> Ohm	
Working current	8,4 A at 70°C ( tested with AWG20, see derating diagram)	
Temperature range	-40°C ... +125°C	
Termination technology	Push-In spring cage	
Reflow processing temperature	20s at 255°C	
Clearance & creepage distance	Clearance: 1,5 mm	Creepage: 1,6 mm
Hot plugging	No	
Mechanical Shock IEC 61373 (05/10)	5g/ 30 ms, 3 shocks/axis and each direction, no contact disturbance >= 1 µs	
Random Vibration IEC 61373 (05/10)	Class 1 cat B, ASD 0.964 (m/s <sup>2</sup> )/Hz, RMS 5.72 m/s <sup>2</sup> , 3x5h, no contact disturbance >= 1 µs	
Vibration	5-150 Hz, 0.35 mm, 5 g, 2 h each axis	
RoHS - compliant	Yes	
UL file	E 102079	

## Insulator material

Material	LCP (liquid crystalline polymer, glass fiber reinforcement 30%)
Color	black, white
UL classification	UL 94-V0
Material group acc. IEC 60664-1	IIIa (175 < CTI < 400)
NFF classification	-

## Contact material

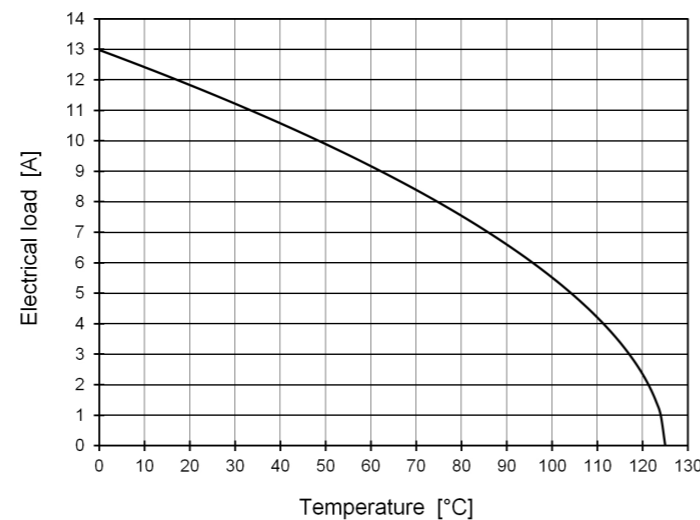
Contact material	Copper alloy
Plating termination zone	Sn
Plating contact zone	Sn

## Derating diagram acc. to IEC 60512-5-2 (Current carrying capacity)

The current carrying capacity is limited by maximum temperature of materials for inserts and contacts including terminals.

The current capacity curve is valid for continuous, non interrupted current loaded contacts of connectors when simultaneous power on all contacts is given, without exceeding the maximum temperature.

Control and test procedures according to DIN IEC 60512-5-2



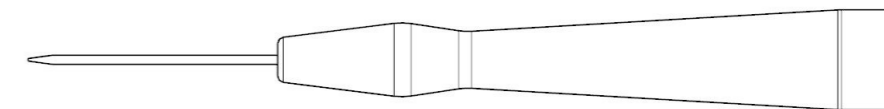
tested with AWG20

## Connection data

Conductor cross section solid min./max.	0.14mm <sup>2</sup> / 0.5mm <sup>2</sup>
Conductor cross section stranded min./max.	0.2mm <sup>2</sup> / 0.5mm <sup>2</sup>
Conductor cross section stranded, with ferrule, min./max.	0.25mm <sup>2</sup> / 0.34mm <sup>2</sup>
Minimum AWG	26
Maximum AWG	20
Stripping length	6 mm
Reconnection	10 times (only with same or larger cross section)

## Recommended tools

part number	14990000001
-------------	-------------



## Coplanarity of contacts

All connectors are tested for coplanarity of contacts and are in the range of 2-pole to 12-pole: 0,1mm max.



All Dimensions in mm  
Original Size DIN A3

Scale  
1:1

Free size tol.

Ref.

Sub.



All rights reserved

Department EC PD - CN

Created by  
ZHUANGJ

Inspected by  
LUOK

Standardisation  
HOFFMANN

Date  
2018-05-17

State  
Final Release

Title  
har-flexicon 2.54, print terminal block, horizontal

Doc-Key / ECM-Nr.  
100550629/UGD/001/G  
500000135281

HARTING Electronics GmbH

D-32339 Espelkamp

Type  
DS

Number  
14017301601

Rev.  
G

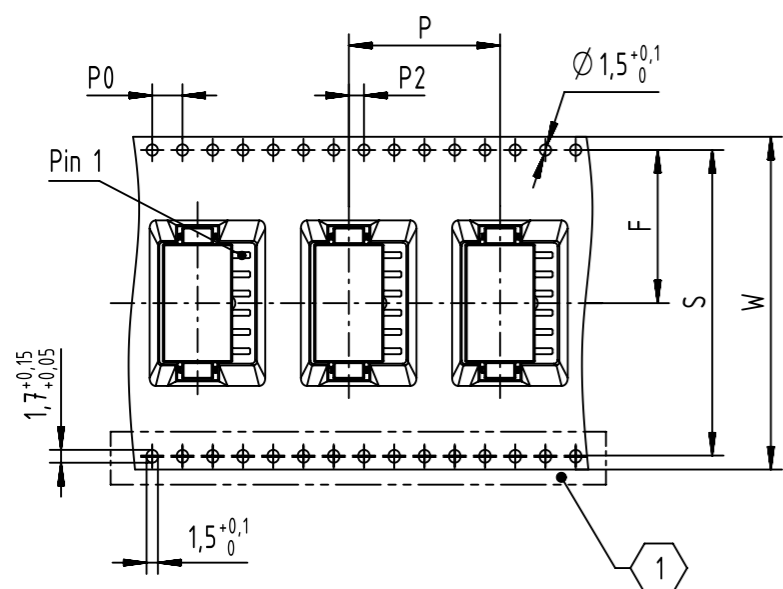
Page  
1/2



# har-flexicon 2.54 PCB print terminal block, horizontal



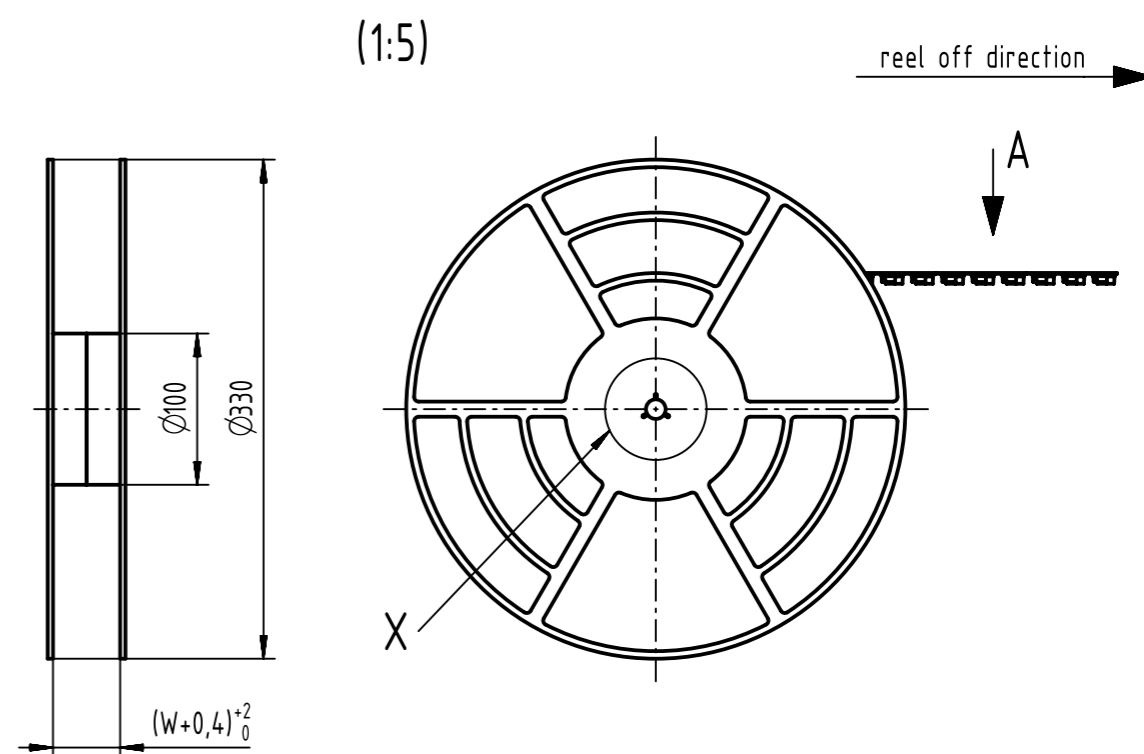
## packaging & tape layout



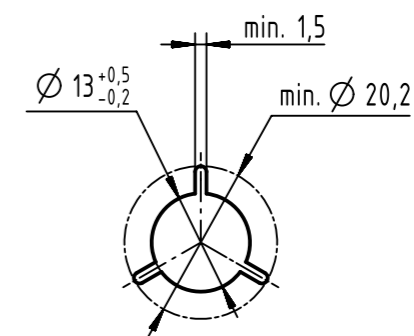
pole	W [mm]	F [mm]	S [mm]	P2 [mm]	P [mm]	P0 [mm]
2	24,0 <sup>+0,3</sup> <sub>-0,1</sub>	11,5 ± 0,1		2,0 ± 0,1	20,0 ± 0,1	4,0 ± 0,1
3						
4	32,0 ± 0,3	14,2 ± 0,1	28,4 ± 0,1	2,0 ± 0,1	20,0 ± 0,1	4,0 ± 0,1
5						
6						
7						
8	44,0 ± 0,3	20,2 ± 0,1	40,4 ± 0,1	2,0 ± 0,15	20,0 ± 0,1	4,0 ± 0,1
9						
10						
11	56,0 ± 0,3	26,2 ± 0,1	52,4 ± 0,1	2,0 ± 0,15	20,0 ± 0,1	4,0 ± 0,1
12						

1 no double sprocket holes for 2- and 3-pole numbers

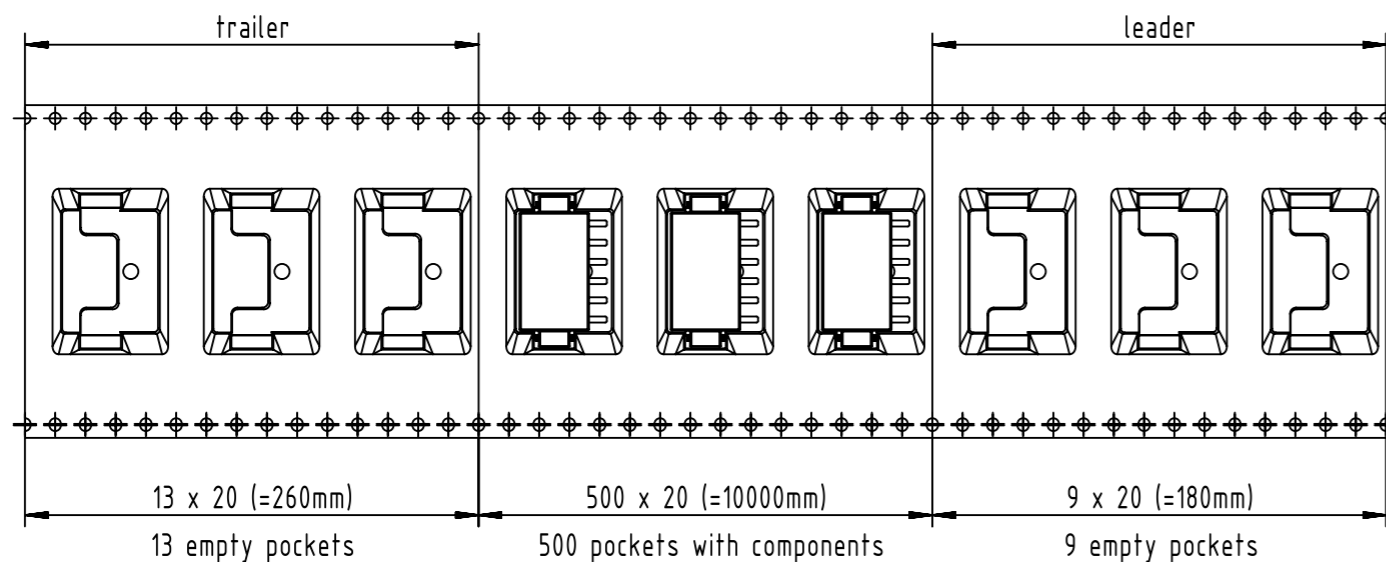
## Reel dimensions



X (1:1)



A



Packaging	Index	
	black	white
tape and reel with 500 pcs per reel	000	160
tape with 1 pcs	333	334

part-number	1401 XX 131 YY XXX
-------------	--------------------

02 with guiding pins  
10 w/o guiding pins

	All Dimensions in mm Original Size DIN A3	Scale 1:1	Free size tol.	Ref.
				Sub.
	All rights reserved Department EC PD - CN	Created by ZHUANGJ	Inspected by LUOK	Standardisation HOFFMANN
		Date 2018-05-17	State Final Release	
Title har-flexicon 2.54, print terminal block, horizontal				Doc-Key / ECM-Nr. 100550629/UGD/001/G 500000135281
HARTING Electronics GmbH D-32339 Espelkamp		Type DS	Number 14017301601	Rev. <b>G</b> Page 2/2

# Mouser Electronics

Authorized Distributor

Click to View Pricing, Inventory, Delivery & Lifecycle Information:

## HARTING:

[14010613102000](#) [14010713102000](#) [14010413102000](#) [14011113102000](#) [14010513102000](#) [14010813102000](#)  
[14010913102000](#) [14011213102000](#) [14010213102000](#) [14010313102000](#) [14011013102000](#)