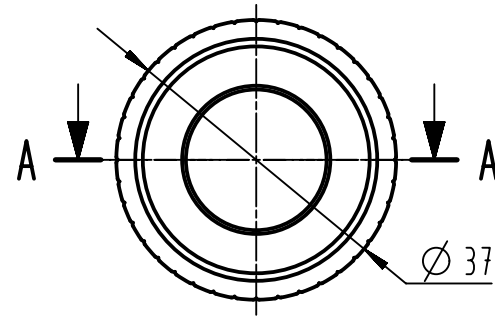
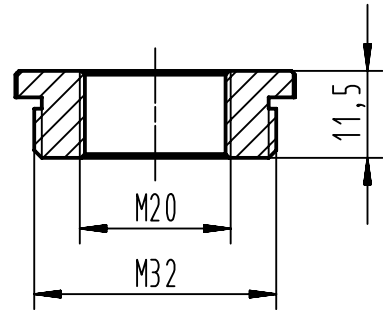


A

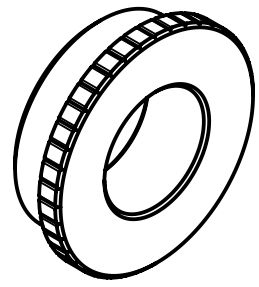


B


A-A



C



D

	All Dimensions in mm Original Size DIN A4	Scale 1:1	Free size tol.			Ref.
	All rights reserved Department EL PD - DE	Created by FINKEV	Inspected by MOOR	Standardisation SCHMIDTM	Date 2012-09-10	State Final Release
HARTING Electric GmbH & Co. KG D-32339 Espelkamp		Title Reduktion M32-M20			Doc-Key / ECM-Nr. 100090973/UGD/003/A	
		Type TB	Number 19 00 000 5067			Rev. A
					Page 1/1	

# Mouser Electronics

Authorized Distributor

Click to View Pricing, Inventory, Delivery & Lifecycle Information:

[HARTING:](#)

[19000005067](#)