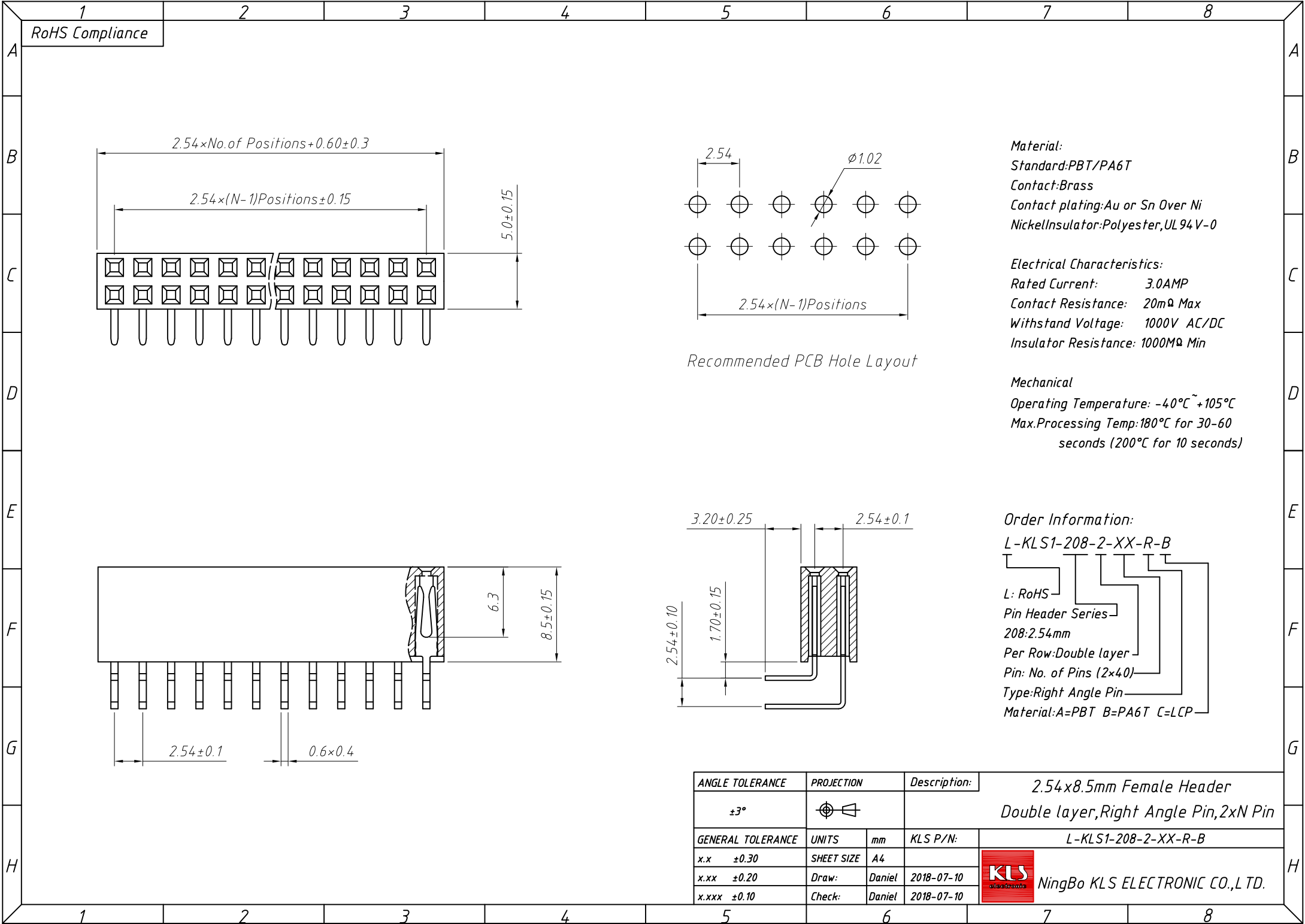


1
RoHS Compliance



Material:
 Standard: PBT/PA6T
 Contact: Brass
 Contact plating: Au or Sn Over Ni
 Nickel Insulator: Polyester, UL 94V-0

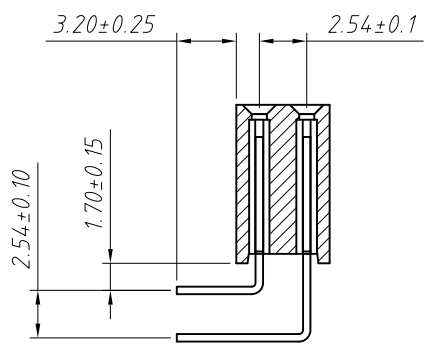
Electrical Characteristics:
 Rated Current: 3.0AMP
 Contact Resistance: 20mΩ Max
 Withstand Voltage: 1000V AC/DC
 Insulator Resistance: 1000MΩ Min

Mechanical
 Operating Temperature: $-40^{\circ}\text{C} \sim +105^{\circ}\text{C}$
 Max. Processing Temp: 180°C for 30-60 seconds (200°C for 10 seconds)

Recommended PCB Hole Layout

Order Information:
 L-KLS1-208-2-XX-R-B

L: RoHS
 Pin Header Series
 208: 2.54mm
 Per Row: Double layer
 Pin: No. of Pins (2x40)
 Type: Right Angle Pin
 Material: A=PBT B=PA6T C=LCP



ANGLE TOLERANCE	PROJECTION	Description:	2.54x8.5mm Female Header
$\pm 3^{\circ}$			Double layer, Right Angle Pin, 2xN Pin
GENERAL TOLERANCE	UNITS	mm	KLS P/N:
x.x ± 0.30	SHEET SIZE	A4	L-KLS1-208-2-XX-R-B
x.xx ± 0.20	Draw:	Daniel	2018-07-10
x.xxx ± 0.10	Check:	Daniel	2018-07-10

