



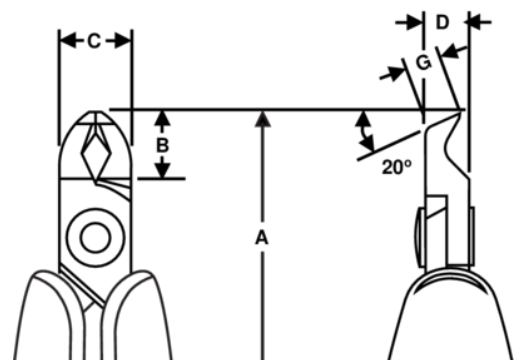
**RX 8211**

**ERGO™ 20° Short Head Oblique  
Cutters 0.2 mm-1.2 mm**



## PRODUCT DETAILS




- Precision oblique cutters 20° short head developed according to the scientific ERGO™ process
- ERGO™ handles with two-component combination, thermoplastic surface, for comfortable grip, on tough polypropylene core for rigidity
- Flush cut
- The cutting capacity that is given is for copper wire
- Cutting capacity: 0.2 mm to 1.2 mm Cu
- High performance alloyed steel
- Phosphate finish
- Numerically controlled machine grinding guarantees edge angle accuracy and contact, increases the tool's reliability and consistency
- Precision induction-hardened edges 63-65 HRC
- Screw joint minimises friction and maximises alignment of cutting edges
- ESD safe handles in two-component synthetic material
- Bio spring limits the tension throughout the working cycle of the tool and can be adjusted to 3 different positions or removed
- Ideal for rework and close assembly needs



**Follow the Fish!**



## PRODUCT ATTRIBUTES

Product	A	B	C	D	G			
<b>RX 8211</b>	134.5 mm	9.5 mm	10 mm	6 mm	4.1 mm	0.2-1.2 mm	Flush	70 g

