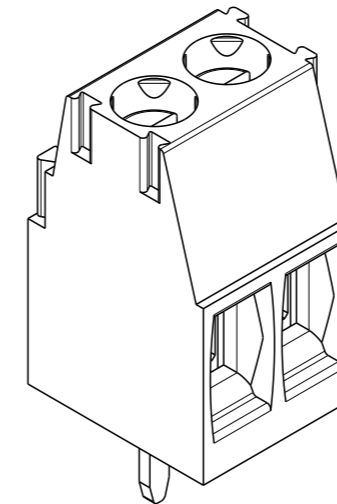
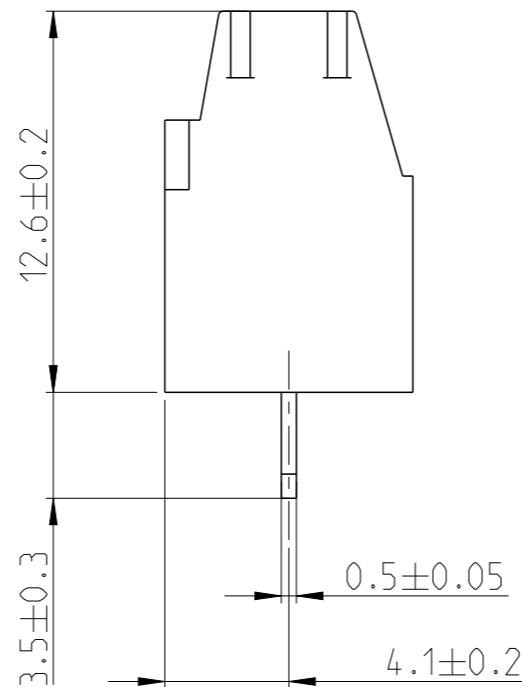
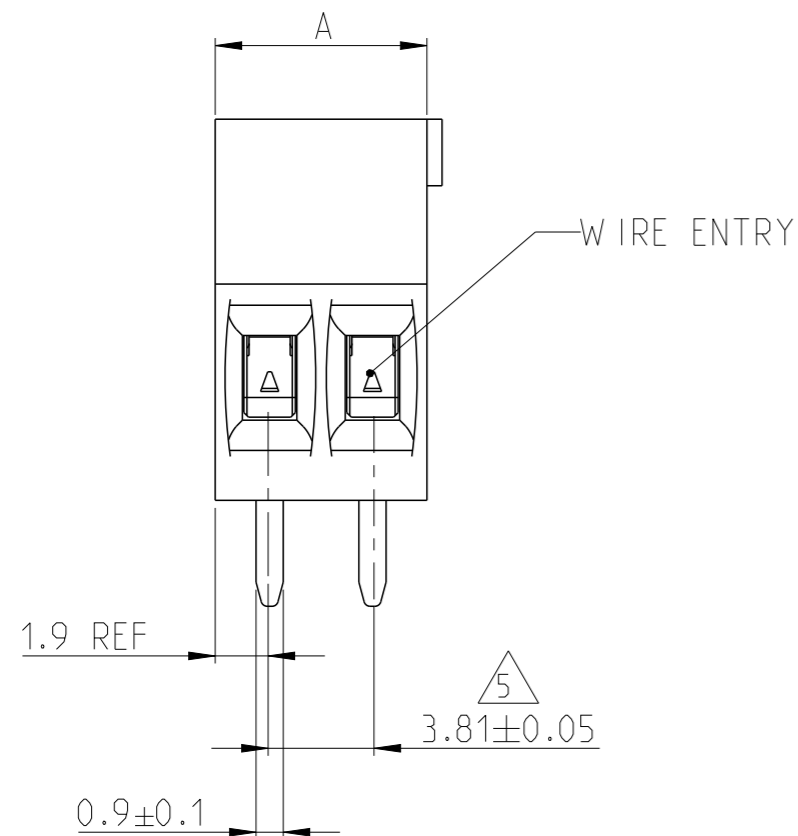


THIS DRAWING IS UNPUBLISHED. RELEASED FOR PUBLICATION 20
 © COPYRIGHT 20 BY - ALL RIGHTS RESERVED.

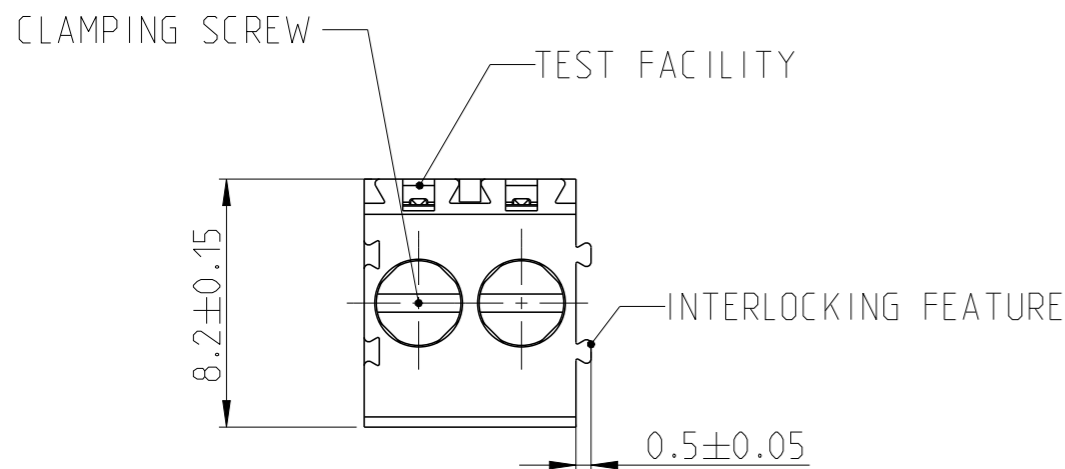
REVISIONS

P	LTR	DESCRIPTION	DATE	DWN	APVD
B		REVISED PER OG3B-0119-01	01FEB2002	EZ	DB
C		PACKAGING CHANGE FROM BOX TO TRAY	08SEP2017	FP	NG



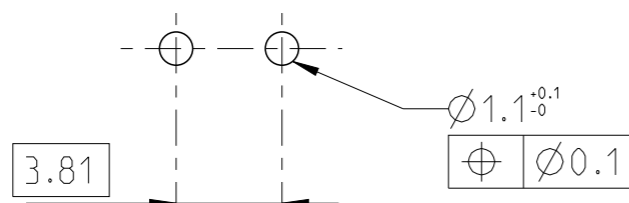
P/N 284392-2 AS SHOWN

DIM "A"	NO. OF POS	PART NUMBER
95.25	25	2-284392-5
91.44	24	2-284392-4
87.63	23	2-284392-3
83.82	22	2-284392-2
80.01	21	2-284392-1
76.20	20	2-284392-0
72.39	19	1-284392-9
68.58	18	1-284392-8
64.77	17	1-284392-7
60.96	16	1-284392-6
57.15	15	1-284392-5
53.34	14	1-284392-4
49.53	13	1-284392-3
45.72	12	1-284392-2
41.91	11	1-284392-1
38.10	10	1-284392-0
34.29	9	284392-9
30.48	8	284392-8
26.67	7	284392-7
22.86	6	284392-6
19.05	5	284392-5
15.24	4	284392-4
11.43	3	284392-3
7.62	2	284392-2



- 1 MATERIALS AND FINISH
 HOUSING : PA 6.6, UL 94-V0, COLOR GREEN.
 CLAMP : BRASS, NICKEL PLATED
 TERMINAL : BRASS, TIN PLATED
 CLAMPING SCREW : M3, BRASS, NICKEL PLATED
- 2. SUITABLE FOR 1.6-2.4 mm. PC BOARD THICKNESS.
- 3. END-TO-END STACKABLE W/INTERLOCK WITHOUT LOSS OF CENTERLINE SPACING
- 4. WIRE SIZE RANGE
 14 - 30 AWG
- 5 NOT CUMULATIVE TOLERANCE

RECOMMENDED PC BOARD LAYOUT



THIS DRAWING IS A CONTROLLED DOCUMENT.		DWN E. ZANOLINI 01FEB2002	TE Connectivity NAME TERMINAL BLOCK, PCB MOUNT, STRAIGHT SIDE ENTRY WIRE, STACKING W/ INTERLOCK, 3.81mm PITCH	
DIMENSIONS: mm		CHK E. ZANOLINI 01FEB2002		
TOLERANCES UNLESS OTHERWISE SPECIFIED:		APVD D. BIEVENOUR 01FEB2002		
0 PLC ± 1 PLC ±0.3 2 PLC ±0.25 3 PLC ± 4 PLC ± ANGLES ±°		PRODUCT SPEC 108-20166		
MATERIAL		FINISH	APPLICATION SPEC 114-20079	RESTRICTED TO
- 1		- 1	WEIGHT -	SIZE A3
CUSTOMER DRAWING			SCALE 4:1	SHEET 1 OF 1

Mouser Electronics

Authorized Distributor

Click to View Pricing, Inventory, Delivery & Lifecycle Information:

[TE Connectivity:](#)

[284392-4](#)