

5

4

3

2

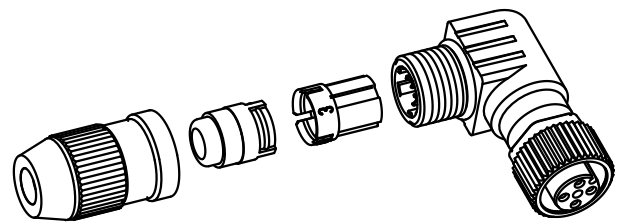
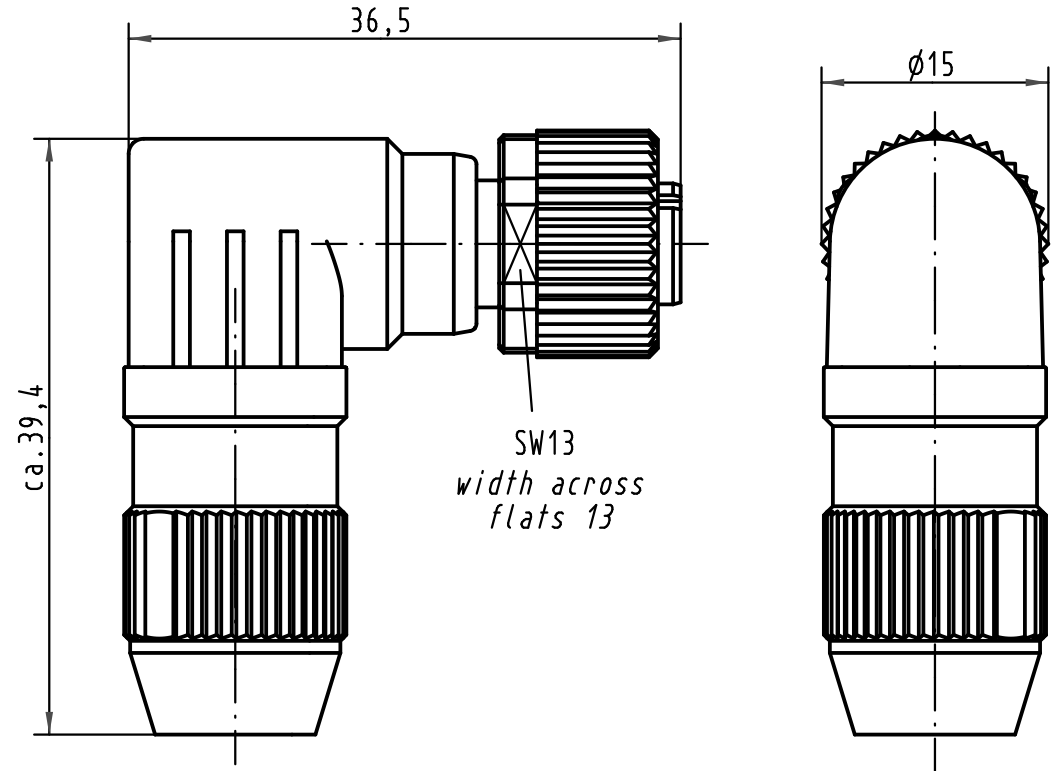
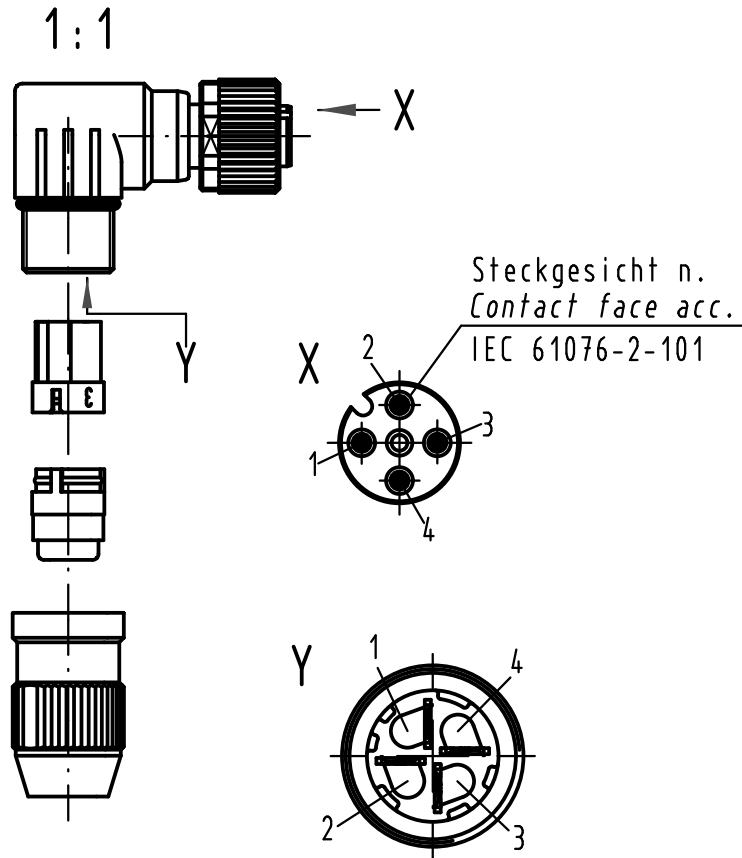
1

D

C

B

A



All Dimensions in mm Original Size DIN A 4		Techn. Character.			Nicht tolerierte Maßel Free size tolerances	
			Dat.	Name	Maßstab/Scale	Rundsteckverbinder/ Circular connector M12 gewinkelt 4polig Buchse M12 angled 4poles female
			Detail.	17.05.00		
EC01883	17.05.10	DY	Insp.		2:1	
412985	12.06.07	DY	Stand.			
411054	26.05.04	DY	HARTING Electronics GmbH & Co. KG			TB 21 01 140 5091
27837			D-32339 ESPELKAMP			
Mod.	Dat.	Name				Blatt/ page Sub. TB 2109 003 03 02

Mouser Electronics

Authorized Distributor

Click to View Pricing, Inventory, Delivery & Lifecycle Information:

[HARTING:](#)

[21011405091](#)