

## KSZ8061 Daughter Board Information Sheet

The KSZ8061 Daughter Board ([AC320004-6](#)) enables Ethernet communication with a variety of Microchip starter kits. This information sheet provides an overview and a detailed schematic of the KSZ8061 Daughter Board.

This daughter board is designed specifically to be used with the PIC32 Ethernet Starter Kit II ([DM320004-2](#)) or the PIC32MZ Embedded Connectivity with Floating Point Unit (EF) Starter Kit ([DM320007](#)); however, it can also be used with other Microchip development hardware.

For additional information about the KSZ8061 Daughter Board, please visit <http://www.microchip.com>.

### Features

The KSZ8061 Daughter Board features a 22-pin header for connecting the board into compatible PIC32 starter kits. The board has a KSZ8061 Ethernet Physical Layer Chip, configured to use RMII. The KSZ8061 Daughter Board is suitable for use with the PIC32 Ethernet Starter Kit II and the PIC32MZ EF Starter Kit.

The features of the KSZ8061 Daughter Board include:

- RMII interface with MDC/MDIO management interface for register configuration
- Fast start-up and link
- Loopback modes for diagnostics

### Additional Information

For more information on drivers and examples, please visit:

- <http://www.microchip.com/wwwproducts/en/KSZ8061>
- <http://www.microchip.com/mplab/mplab-harmony>

#### Americas

Atlanta - 678-957-9614  
Austin - 512-257-3370  
Boston - 774-760-0087  
Chicago - 630-285-0071  
Cleveland - 216-447-0464  
Dallas - 972-818-7423  
Detroit - 248-848-4000  
Houston - 281-894-5983  
Indianapolis - 317-773-8323  
Los Angeles - 949-462-9523  
New York - 631-435-6000  
Phoenix - 480-792-7200  
Santa Clara - 408-961-6444  
Toronto - 905-673-0699

#### Europe

Austria - Wels - 43-7242-2244-39  
Denmark - Copenhagen - 45-4450-2828  
France - Paris - 33-1-69-53-63-20  
Germany - Munich - 49-89-627-144-0  
Italy - Milan - 39-0331-742611  
Netherlands - Drunen - 31-416-690399  
Spain - Madrid - 34-91-708-08-90  
UK - Wokingham - 44-118-921-5869

#### Asia/Pacific

Australia - Sydney - 61-2-9868-6733  
China - Beijing - 86-10-8569-2100

#### Asia/Pacific (Continued)

China - Chengdu - 86-28-8665-5511  
China - Chongqing - 86-23-8980-9588  
China - Hangzhou - 86-571-8792-8115  
China - Hong Kong SAR - 852-2943-5100  
China - Nanjing - 86-25-8473-2460  
China - Qingdao - 86-532-8502-7355  
China - Shanghai - 86-21-5407-5533  
China - Shenyang - 86-24-2334-2829  
China - Shenzhen - 86-755-8864-2200  
China - Wuhan - 86-27-5980-5300  
China - Xiamen - 86-592-2388138  
China - Xian - 86-29-8833-7252  
China - Zhuhai - 86-756-3210040  
India - Bangalore - 91-80-3090-4444  
India - New Delhi - 91-11-4160-8631  
India - Pune - 91-20-3019-1500  
Japan - Osaka - 81-6-6152-7160  
Japan - Tokyo - 81-3-6880-3770  
Korea - Daegu - 82-53-744-4301  
Korea - Seoul - 82-2-554-7200  
Malaysia - Kuala Lumpur - 60-3-6201-9857  
Malaysia - Penang - 60-4-227-8870  
Philippines - Manila - 63-2-634-9065  
Singapore - 65-6334-8870  
Taiwan - Hsin Chu - 886-3-5778-366  
Taiwan - Kaohsiung - 886-7-213-7840  
Taiwan - Taipei - 886-2-2508-8600  
Thailand - Bangkok - 66-2-694-1351

01/11/17



Microchip Technology Inc. • 2355 West Chandler Blvd. • Chandler, AZ 85224-6199

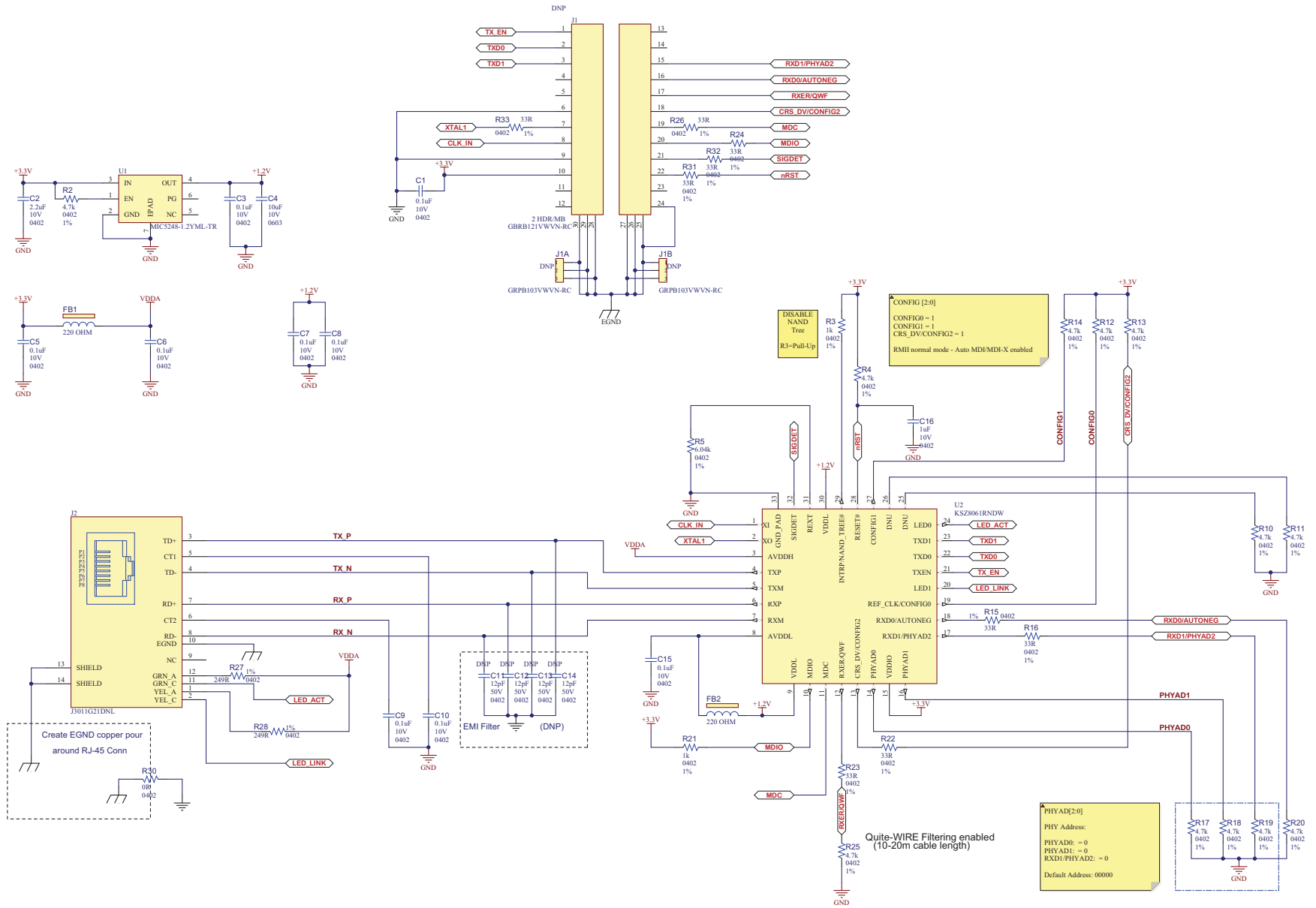
[www.microchip.com](http://www.microchip.com)

The Microchip name and logo, the Microchip logo, and MPLAB are registered trademarks of Microchip Technology Incorporated in the U.S.A. and other countries. All other trademarks mentioned herein are property of their respective companies. © 2014, Microchip Technology Incorporated, Printed in the U.S.A. All Rights Reserved. 01/17

DS50002610A



# KSZ8061 Daughter Board Schematic



# Mouser Electronics

Authorized Distributor

Click to View Pricing, Inventory, Delivery & Lifecycle Information:

[Microchip:](#)

[AC320004-6](#)