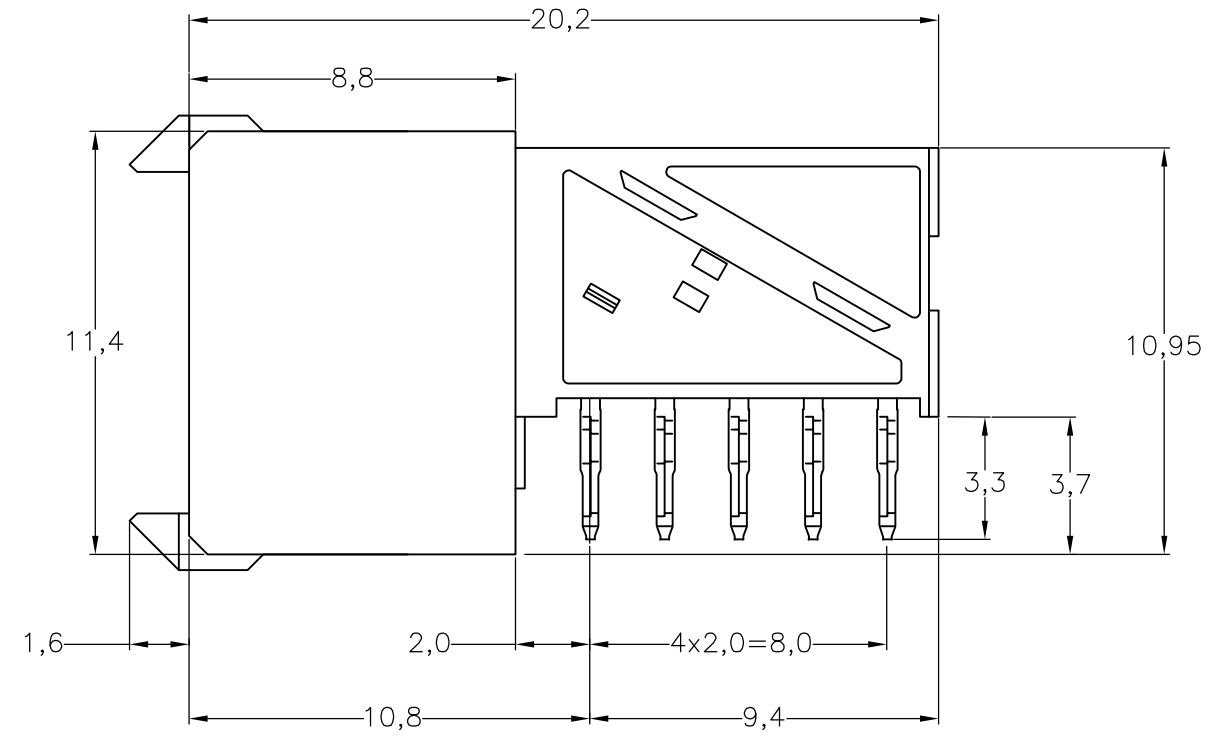
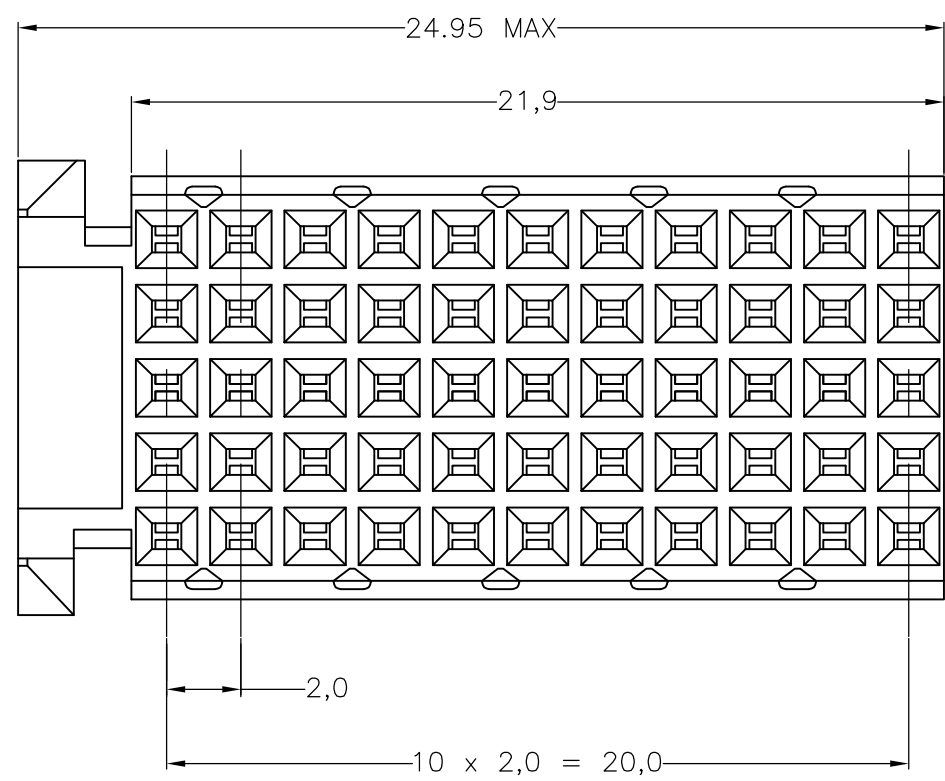
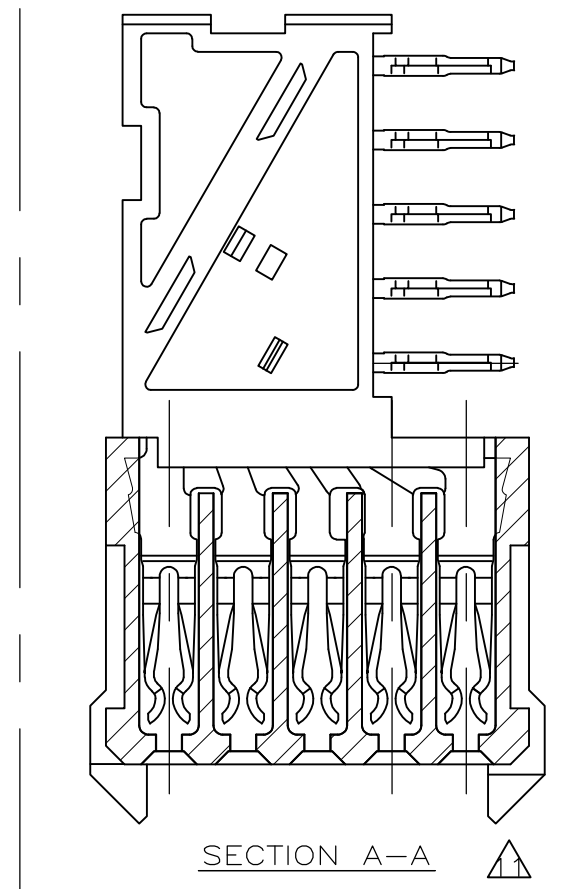
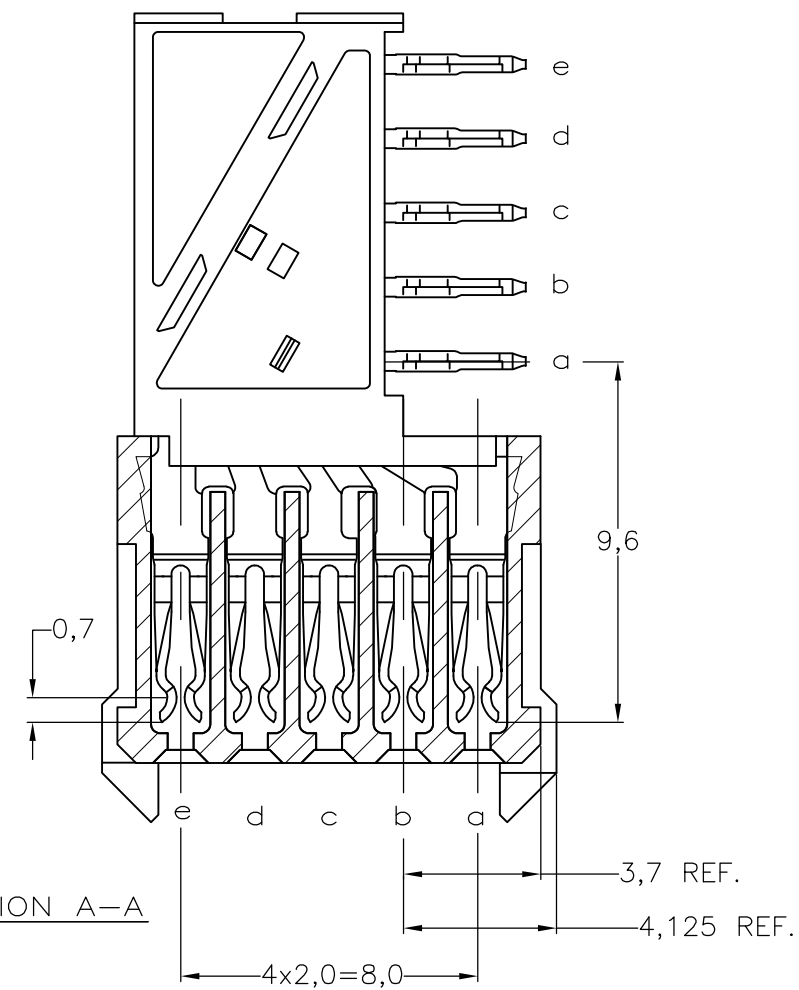
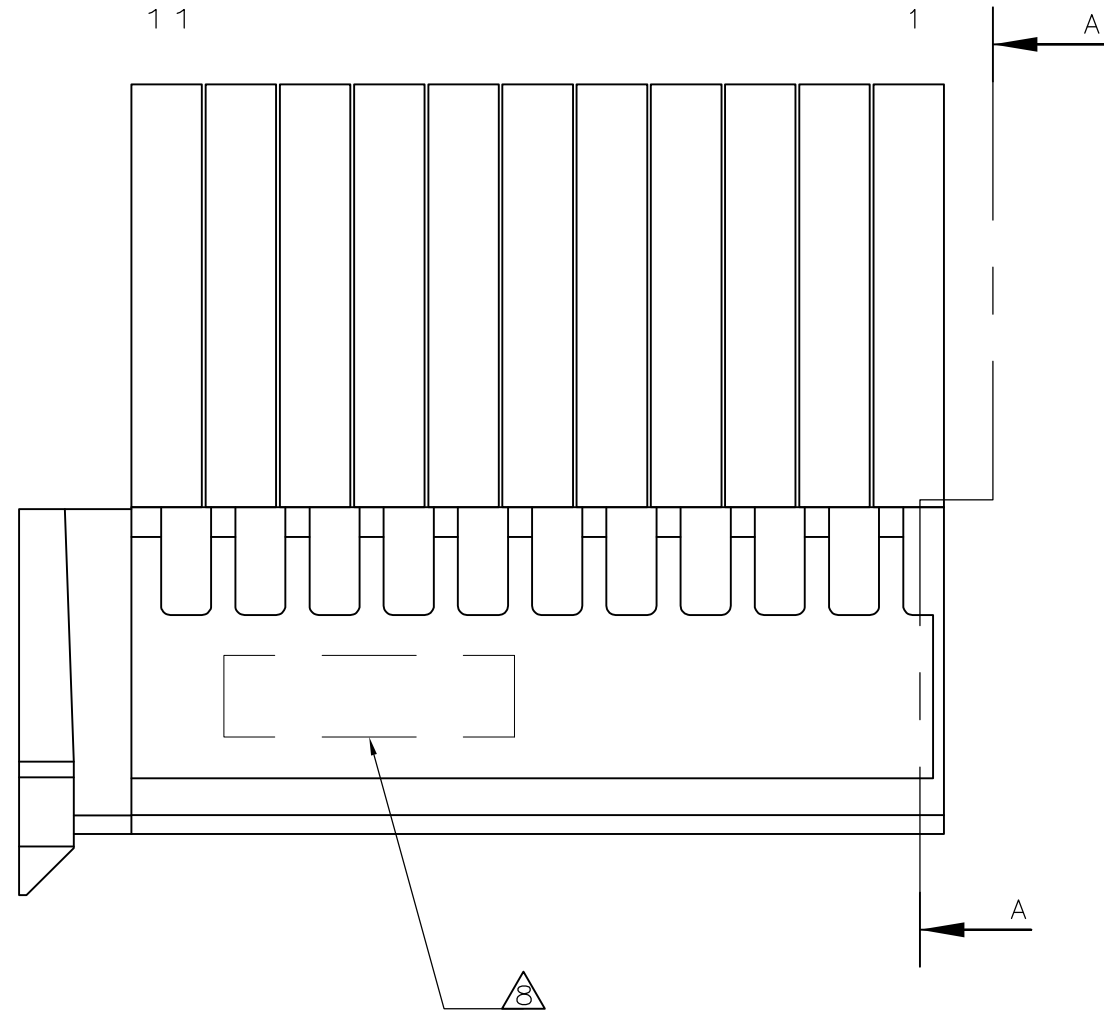
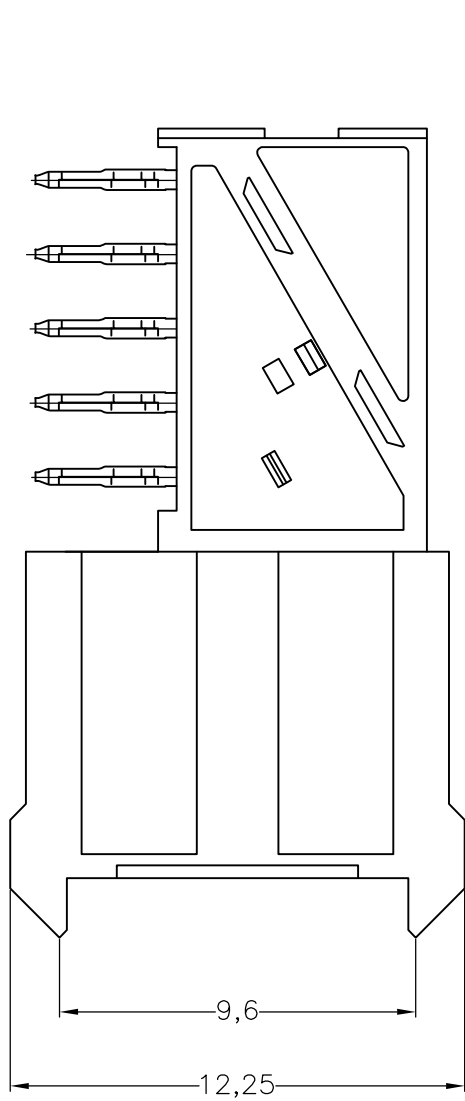


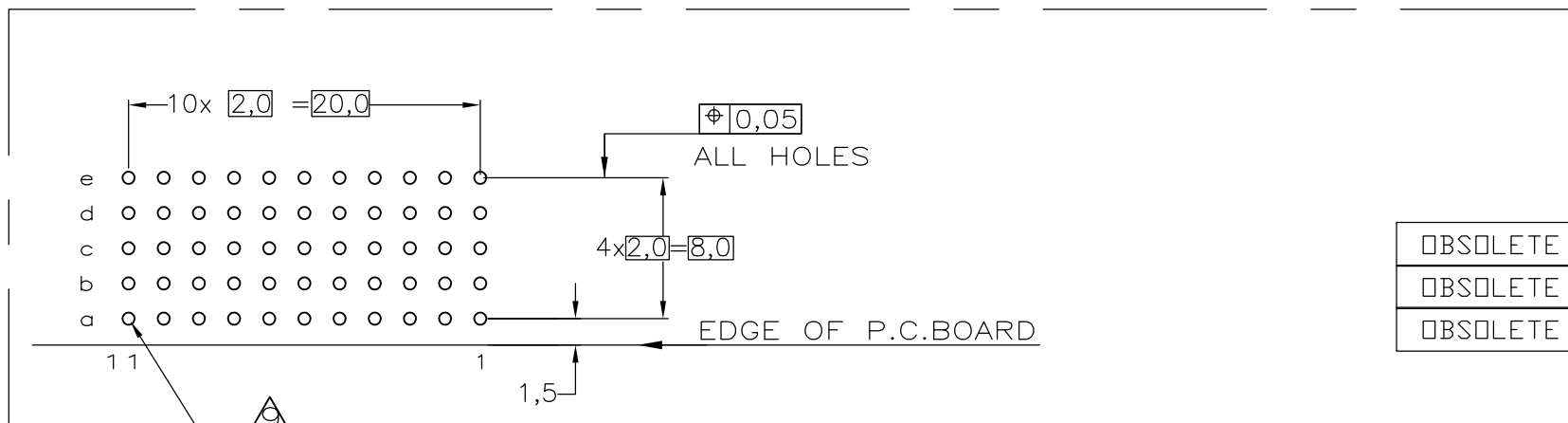
THIS DRAWING IS UNPUBLISHED. RELEASED FOR PUBLICATION  
 © COPYRIGHT - By - ALL RIGHTS RESERVED.

REVISIONS					
P	LTR	DESCRIPTION	DATE	DWN	APVD
S		ECR-16-013249	07JUL2017	FL	SY



**NOTES:**

- △ MATERIAL CONTACT; PHOSPHORBRONZE  
MATERIAL HOUSING; GLASSFILLED POLYESTER (GRAY)  
UL-RATING 94V0.
- △ GENERAL PLATING SPECIFICATION: UNDERPLATING (ENTIRE CONTACT): 1,27µm NICKEL MIN.  
AND ACTION PIN: 0,5µm TIN-LEAD MIN.  
FOR PLATING OF MATING SURFACES SEE APPLICABLE SPECIFICATION REFERENCE FOR EACH DASH NUMBER.
- △ CONFORMS TO ALL TESTING ACCORDING IEC 61076-4-101 PERFORMANCE LEVEL 2.
- △ CONFORMS TO ALL TESTING ACCORDING IEC 61076-4-101 PERFORMANCE LEVEL 1.
- △ CONNECTOR TESTED AND QUALIFIED AGAINST TELCORDIA GR-1217-CORE QUALITY LEVEL III, CENTRAL OFFICE APPLICATIONS.
- △ CONNECTOR TESTED AND QUALIFIED AGAINST TELCORDIA GR-1217-CORE QUALITY LEVEL III, UNCONTROLLED ENVIRONMENT APPLICATIONS.
- △ CONNECTOR LUBRICATED WITH TELCORDIA GR-1217-CORE APPROVED LUBRICANT.
- △ CONNECTOR PRINTED WITH PARTNUMBER AND DATECODE  
THE MARKING CAN APPEAR ON THE FRONT SIDE OR ON THE BACK SIDE.
- △ PLATED-THROUGH HOLES AT 2x2mm SQUARE GRID. 55 HOLES
- 10 FITS WITH INTEGRATED GROUND RETURN UPPERSHIELD, BASIC P.N. 352111  
AND INTEGRATED GROUND RETURN LOWERSHIELD, BASIC P.N. 352112
- △ CONNECTOR ASSEMBLED WITH REDESIGNED CONTACTS.  
CONTACTS HAVE A CORING-OUT IN THE PLASTIC.
- △ 0.76µm MIN GOLD PLATING AT MATING SURFACES.



SCALE 2,5:1  
 COMPONENT SIDE AS SHOWN  
 RECOMMENDED PCB-HOLE LAY-OUT

P.C.B. HOLE DIM. ACTION PIN  
 FOR DETAILS SEE  
 APPLICATION SPECIFICATION

OBSOLETE	△△△	△	3-100161-0
OBSOLETE	△△△	△	1-100161-9
OBSOLETE	△△△	△	100161-9
	△△△	△	100161-4
	△△△	△	100161-1
	FINISH	MATERIAL	PART NUMBER

THIS DRAWING IS A CONTROLLED DOCUMENT.

DIMENSIONS:	TOLERANCES UNLESS OTHERWISE SPECIFIED:	DWN	20JAN97	TE Connectivity	
mm		CHK	20JAN97	Z-PACK 2MM HM TYPE C	
		APVD		55 POS. FEMALE CONNECTOR	
		NAME		SIZE	RESTRICTED TO
				A2	
				CAGE CODE	DRAWING NO
				00779	C=100161
				WEIGHT	SCALE
				0.000000	NTS
				CUSTOMER DRAWING	SHEET
					1 of 1
					REV
					S

# Mouser Electronics

Authorized Distributor

Click to View Pricing, Inventory, Delivery & Lifecycle Information:

[TE Connectivity:](#)

[100161-1](#)