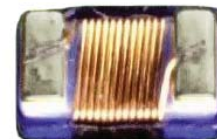


SMD CERAMIC WIRE-WOUND CHIP INDUCTORS

AISC-0805-xxx



2.3 x 1.27 x 1.55mm

FEATURES:

- Ceramic construction assures the utmost thermal stability & high SRF
- Exceptionally high Q compared to non-wirewound inductors, especially at high frequencies
- Inductance options from 2.2nH to 1000nH

APPLICATIONS:

- Widely applied in VCO, SAW circuit for GSM, & CDMA communications
- Used in hard disk, notebook computers & other electronic equipment

ELECTRICAL SPECIFICATIONS:

PARAMETERS

ABRACON P/N:	AISC-0805-xxx Series
Operating temperature:	-25°C to + 125°C
Storage temperature:	-25°C to + 85°C, 70% RH max.

Part Numb AISC-0805	L(nH) @Test Freq.	Tolerance (±%)	Q, Min @Test Freq.	SRF Min (MHz)	R _{DC} Max (Ω)	I _{DC} Max (mA)
2R2	2.2 @ 250 MHz	10,20	40 @ 1500 MHz	>6000	0.1	600
3R3	3.3 @ 250 MHz	5,10,20	30 @ 1500 MHz	>6000	0.08	600
6R8	6.8 @ 250 MHz	5,10,20	50 @ 1000 MHz	5000	0.11	600
8R2	8.2 @ 250 MHz	5,10,20	50 @ 1000 MHz	4800	0.19	600
120	12 @ 250 MHz	2,5,10,20	50 @ 500 MHz	4100	0.15	600
150	15 @ 250 MHz	5,10,20	50 @ 500 MHz	2900	0.17	600
180	18 @ 250 MHz	2,5,10,20	50 @ 500 MHz	3300	0.2	600
220	22 @ 250 MHz	2,5,10,20	55 @ 500 MHz	2600	0.22	500
270	27 @ 250 MHz	2,5,10,20	60 @ 500 MHz	2500	0.25	500
330	33 @ 250 MHz	2,5,10,20	60 @ 500MHz	2200	0.27	500
390	39 @ 250 MHz	2,5,10,20	60 @ 500MHz	2100	0.29	500
470	47 @ 200 MHz	2,5,10,20	60 @ 500MHz	1750	0.31	500
560	56 @ 200 MHz	2,5,10,20	60 @ 500MHz	1650	0.32	500
680	68 @ 200 MHz	2,5,10,20	60 @ 500MHz	1500	0.38	500
820	82 @ 150 MHz	2,5,10,20	60 @ 500MHz	1400	0.42	400
101	100 @ 150 MHz	2,5,10,20	60 @ 500MHz	1200	0.46	400
121	120 @ 150 MHz	2,5,10,20	50 @ 250 MHz	1200	0.51	400
151	150 @ 100 MHz	2,5,10,20	50 @ 250 MHz	1000	0.56	400
181	180 @ 100 MHz	2,5,10,20	50 @ 250 MHz	950	0.64	400
221	220 @ 100 MHz	2,5,10,20	45 @ 250 MHz	850	0.7	400
271	270 @ 100 MHz	2,5,10,20	40 @ 250 MHz	680	1	350
331	330 @ 100 MHz	2,5,10,20	40 @ 250 MHz	660	1.4	310
391	390 @ 100 MHz	2,5,10,20	35 @ 250 MHz	560	1.5	290
471	470 @ 50 MHz	5,10,20	33 @ 100 MHz	430	1.72	250
561	560 @ 25 MHz	5,10,20	23 @ 50 MHz	350	1.9	230
621	620 @ 25 MHz	5,10,20	23 @ 50 MHz	330	1.95	200
681	680 @ 25 MHz	5,10,20	23 @ 50 MHz	300	2.05	190
751	750 @ 25 MHz	5,10,20	23 @ 50 MHz	280	2.1	180
821	820 @ 25 MHz	5,10,20	23 @ 50 MHz	250	2.3	180
911	910 @ 25 MHz	5,10,20	22 @ 50 MHz	230	2.4	160
102	1000 @ 25 MHz	5,10,20	20 @ 50 MHz	200	2.5	150

OPTIONS & PART IDENTIFICATION:

(Left blank if standard)

AISC - 0805 - □□□ - □ - □

Inductance Code
Please refer to the Table above.

Tolerance Code	
G	±2%
J	±5%
K	±10%
M	±20%

Packaging	
T	Tape & Reel

ABRACON IS
ISO 9001 / QS 9000
CERTIFIED

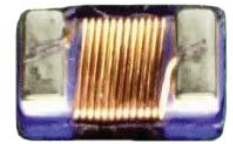


ABRACON
CORPORATION

Visit www.abracon.com for Terms & Conditions of Sale **Revised: 10.10.07**
30332 Esperanza, Rancho Santa Margarita, California 92688
tel 949-546-8000 | fax 949-546-8001 | www.abracon.com

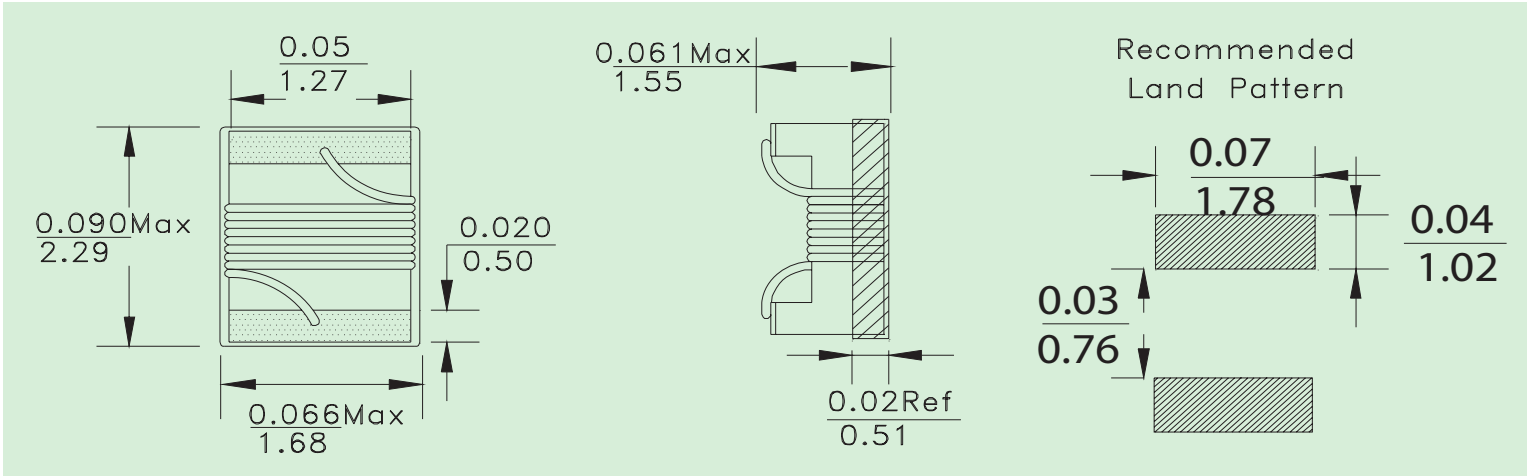
SMD CERAMIC WIRE-WOUND CHIP INDUCTORS

AISC-0805-xxx

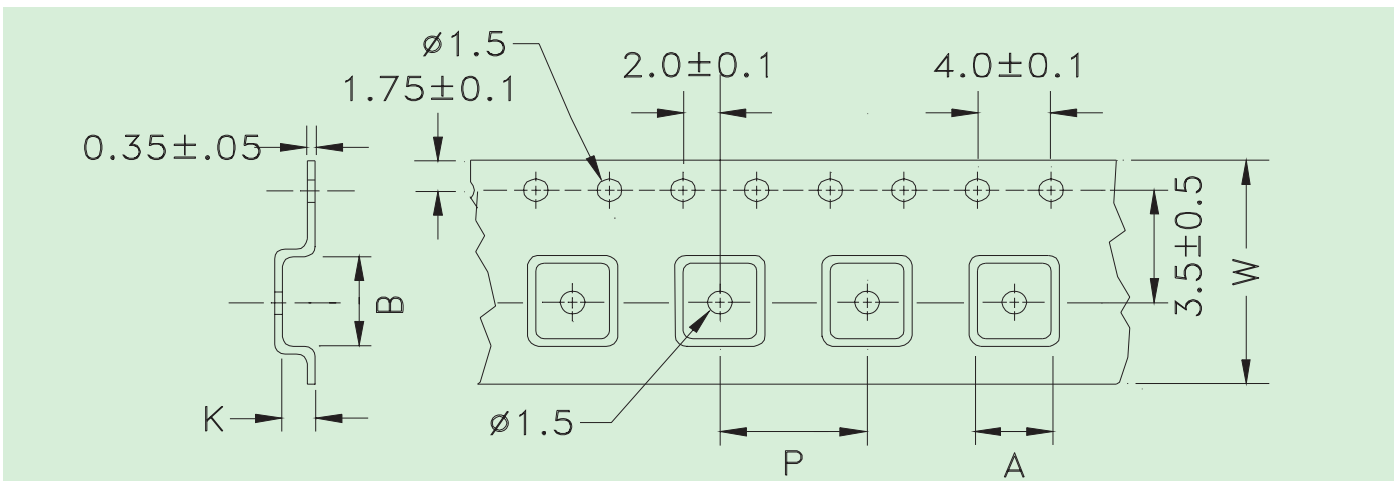


2.3 x 1.27 x 1.55mm

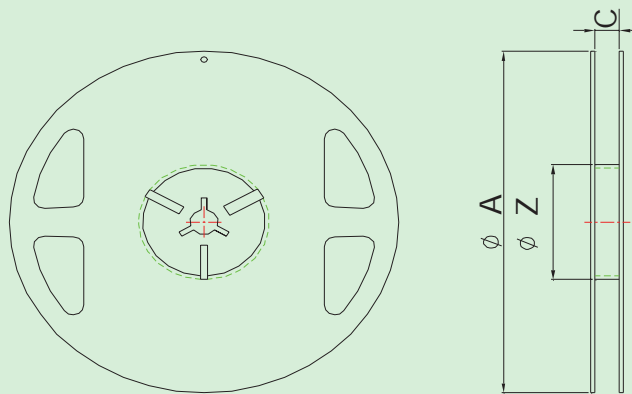
OUTLINE DRAWING:



TAPE & REEL:



ABRACON P/N	A (mm)	B (mm)	K (mm)	P (mm)	W (mm)	PCS/REEL
AISC-0805	1.8	2.5	1.45	4	8	2,000



series	A	C	Z
AISC-0805-xxx	178±2.0	8.4+1.5	60±1.0

Dimensions: mm

ABRACON IS
ISO 9001 / QS 9000
CERTIFIED



Visit www.abracon.com for Terms & Conditions of Sale **Revised: 10.10.07**
30332 Esperanza, Rancho Santa Margarita, California 92688
tel 949-546-8000 | fax 949-546-8001 | www.abracon.com