

Series 82
Robust and attractive.

<https://eao.com/82>



82 Information about the Series

Key advantages

- Vandal-resistant: Impact resistant to IK10
- Front protection up to IP67
- Gold contacts available for low voltages and currents
- Optional illumination and laser markings
- Excellent tactile feedback
- Long service life: > 1 million cycles of operation
- Stainless steel anodised aluminium or brass coloured switches
- 16 mm, 19 mm or 22 mm mounting

Typical application areas

- Exposed public areas: e.g. ticketing and vending machines
- Industrial: Machinery and factory equipment
- Lifting and moving: Elevators and people movers
- Building management: Access control and security systems
- Audio and video equipment
- Medical equipment
- Food Industry (corrosion and acid resistant versions available on request)

Functions

- Pushbutton
- Illuminated pushbutton
- Indicator

Design

- Flush

IP front protection

- IP65
- IP67

Ratings

- 24 VAC / DC (0.2 A)
- 42 VAC (100 mA)
- 240 VAC / DC (3 A)

Mounting cut-outs

- Ø 16 mm
- Ø 19 mm
- Ø 22.3 mm

Terminal

- Plug-in terminal
- Screw terminal
- Connector M12

Lens Material

- Aluminium
- Stainless steel
- Brass
- Plastic metalised

Markings

- Laser marking

Approvals

- CB
- UL
- C UL
- CCC

Conformities

- CE
- 2014/35/EU (LVD)
- 2011/65/EU (RoHS)



| | |
|---|-----------|
| Flush design | |
| Pushbutton Ø 19 mm, stainless steel 304, silver contact | 4 |
| Pushbutton Ø 19 mm, stainless steel 304, gold contact | 6 |
| Illuminated pushbutton Ø 19 mm, stainless steel 304, silver contact | 8 |
| Illuminated pushbutton Ø 19 mm, stainless steel 304, gold contact | 10 |
| Illuminated pushbutton Ø 22 mm, stainless steel 304, silver contact | 12 |
| Illuminated pushbutton Ø 22 mm, stainless steel 304, gold contact | 14 |
| Illuminated pushbutton Ø 22 mm, stainless steel 304, with symbol | 16 |
| Illuminated pushbutton Ø 22 mm, stainless steel 316L | 18 |
| Pushbutton/illuminated pushbutton with M12 connector, Ø 22 mm, stainless steel 316L | 20 |
| Indicator 19 mm, stainless steel 304, | 22 |
| Indicator 22 mm, stainless steel 304, | 24 |
| Accessories | 26 |
| Technical data | 29 |
| Marking | 31 |
| Order examples | 32 |
| Application guidelines | 34 |
| Index | 35 |

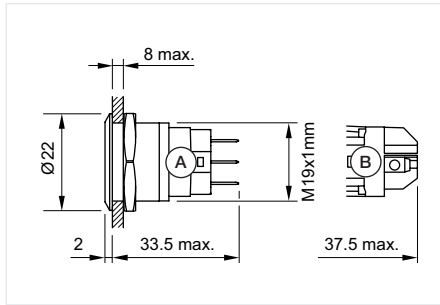
| |
|-----------|
| 01 |
| 02 |
| 03 |
| 04 |
| 09 |
| 14 |
| 17 |
| 17 |
| 18 |
| 19 |
| 22 |
| 31 |
| 41 |
| 45 |
| 51 |
| 56 |
| 57 |
| 61 |
| 70 |
| 71 |
| 82 |
| 84 |
| 92 |
| 96 |

82 Flush design

Pushbutton Ø 19 mm, stainless steel 304, silver contact, IP65, IP67



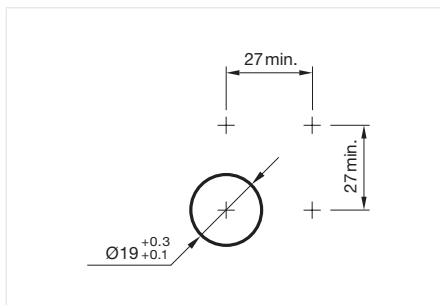
Product can differ from the current configuration.



Dimensions [mm]
A = Solder terminal
B = Screw terminal

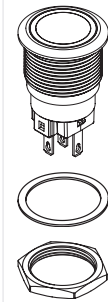
General information

- The laser 2D-technology can mark all stainless steel versions with flat lenses - flush-mounting as well as raised versions.



Mounting cut-outs [mm]

Equipment consisting of (schematic overview)



Actuator

Seal

Fixing nut

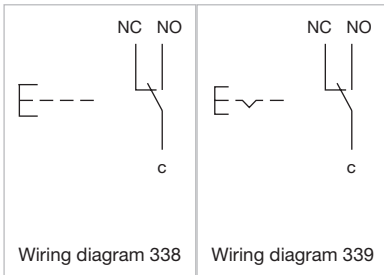
Each Part Number listed below includes all the black components shown in the 3D-drawing.



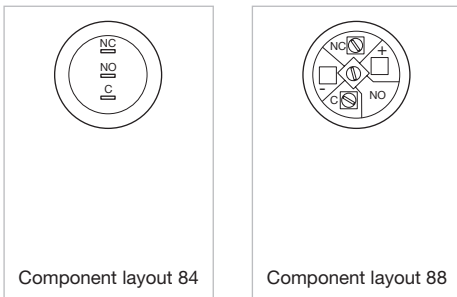
Pushbutton

| Switching action | Lens shape | Terminal | Switching voltage | Symbol | Part No. | Wiring diagram | Component Layout |
|------------------|------------|--------------------|-------------------|-----------|-------------------|----------------|------------------|
| Maintained | flush | Screw terminal | 240 V | | 82-5152.2000 | 339 | 88 |
| Momentary | flush | Screw terminal | 240 V | | 82-5152.1000 | 338 | 88 |
| Maintained | flush | Soldering terminal | 240 V | | 82-5151.2000 | 339 | 84 |
| Momentary | flush | Soldering terminal | 240 V | | 82-5151.1000 | 338 | 84 |
| | flush | Soldering terminal | 240 V | ON/OFF | 82-5151.1000.B001 | 338 | 84 |
| | flush | Soldering terminal | 240 V | Standby | 82-5151.1000.B002 | 338 | 84 |
| | flush | Soldering terminal | 240 V | Light | 82-5151.1000.B003 | 338 | 84 |
| | flush | Soldering terminal | 240 V | Info | 82-5151.1000.B004 | 338 | 84 |
| | flush | Soldering terminal | 240 V | Bell | 82-5151.1000.B005 | 338 | 84 |
| | flush | Soldering terminal | 240 V | Door open | 82-5151.1000.B006 | 338 | 84 |
| Maintained | flush | Soldering terminal | 240 V | ON/OFF | 82-5151.2000.B001 | 339 | 84 |
| | flush | Soldering terminal | 240 V | Standby | 82-5151.2000.B002 | 339 | 84 |
| | flush | Soldering terminal | 240 V | Light | 82-5151.2000.B003 | 339 | 84 |
| | flush | Soldering terminal | 240 V | Info | 82-5151.2000.B004 | 339 | 84 |
| | flush | Soldering terminal | 240 V | Bell | 82-5151.2000.B005 | 339 | 84 |
| | flush | Soldering terminal | 240 V | Door open | 82-5151.2000.B006 | 339 | 84 |
| Momentary | flush | Screw terminal | 240 V | ON/OFF | 82-5152.1000.B001 | 338 | 88 |
| | flush | Screw terminal | 240 V | Standby | 82-5152.1000.B002 | 338 | 88 |
| | flush | Screw terminal | 240 V | Light | 82-5152.1000.B003 | 338 | 88 |
| | flush | Screw terminal | 240 V | Info | 82-5152.1000.B004 | 338 | 88 |
| | flush | Screw terminal | 240 V | Bell | 82-5152.1000.B005 | 338 | 88 |
| | flush | Screw terminal | 240 V | Door open | 82-5152.1000.B006 | 338 | 88 |
| Maintained | flush | Screw terminal | 240 V | ON/OFF | 82-5152.2000.B001 | 339 | 88 |
| | flush | Screw terminal | 240 V | Standby | 82-5152.2000.B002 | 339 | 88 |
| | flush | Screw terminal | 240 V | Light | 82-5152.2000.B003 | 339 | 88 |
| | flush | Screw terminal | 240 V | Info | 82-5152.2000.B004 | 339 | 88 |
| | flush | Screw terminal | 240 V | Bell | 82-5152.2000.B005 | 339 | 88 |
| | flush | Screw terminal | 240 V | Door open | 82-5152.2000.B006 | 339 | 88 |


Wiring diagrams




Component layouts




- 01
- 02
- 03
- 04
- 09
- 14
- 17
- 18
- 19
- 22
- 31
- 41
- 45
- 51
- 56
- 57
- 61
- 70
- 71
- 82**
- 84
- 92
- 96



Follow us.
We are on LinkedIn!
EAO creates possibilities. Since 1947.






[Come take a look at our LinkedIn profile today!](https://www.linkedin.com/company/eao/) *Be sure to give us a follow so that you can fully interact with us.*

<https://www.linkedin.com/company/eao/>

www.eao.com



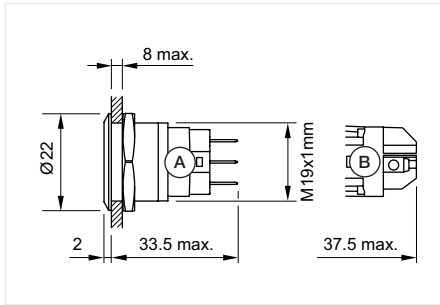
Your Expert Partner for Human Machine Interfaces

82 Flush design

Pushbutton Ø 19 mm, stainless steel 304, gold contact, IP65, IP67

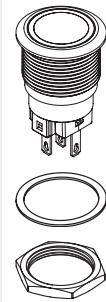


Product can differ from the current configuration.



Dimensions [mm]
A = Solder terminal
B = Screw terminal

Equipment consisting of (schematic overview)



Actuator

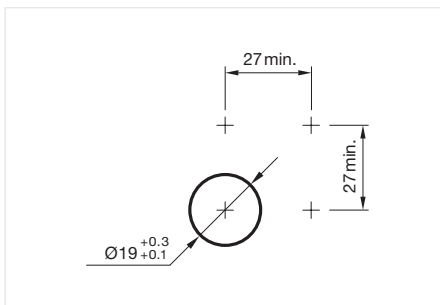
Seal

Fixing nut

Each Part Number listed below includes all the black components shown in the 3D-drawing.

General information

- The laser 2D-technology can mark all stainless steel versions with flat lenses - flush-mounting as well as raised versions.



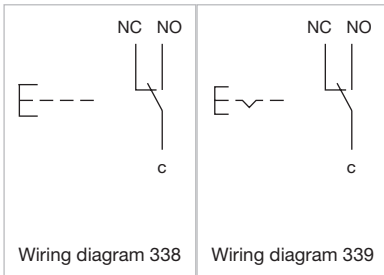
Mounting cut-outs [mm]



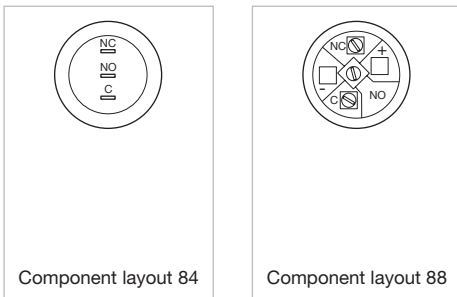
Pushbutton

| Switching action | Lens shape | Terminal | Switching voltage | Symbol | Part No. | Wiring diagram | Component Layout |
|------------------|------------|--------------------|-------------------|-----------|-------------------|----------------|------------------|
| Maintained | flush | Screw terminal | 24 V | | 82-5154.2000 | 339 | 88 |
| Momentary | flush | Screw terminal | 24 V | | 82-5154.1000 | 338 | 88 |
| Maintained | flush | Soldering terminal | 24 V | | 82-5153.2000 | 339 | 84 |
| Momentary | flush | Soldering terminal | 24 V | | 82-5153.1000 | 338 | 84 |
| | flush | Soldering terminal | 24 V | ON/OFF | 82-5153.1000.B001 | 338 | 84 |
| | flush | Soldering terminal | 24 V | Standby | 82-5153.1000.B002 | 338 | 84 |
| | flush | Soldering terminal | 24 V | Light | 82-5153.1000.B003 | 338 | 84 |
| | flush | Soldering terminal | 24 V | Info | 82-5153.1000.B004 | 338 | 84 |
| | flush | Soldering terminal | 24 V | Bell | 82-5153.1000.B005 | 338 | 84 |
| | flush | Soldering terminal | 24 V | Door open | 82-5153.1000.B006 | 338 | 84 |
| Maintained | flush | Soldering terminal | 24 V | ON/OFF | 82-5153.2000.B001 | 339 | 84 |
| | flush | Soldering terminal | 24 V | Standby | 82-5153.2000.B002 | 339 | 84 |
| | flush | Soldering terminal | 24 V | Light | 82-5153.2000.B003 | 339 | 84 |
| | flush | Soldering terminal | 24 V | Info | 82-5153.2000.B004 | 339 | 84 |
| | flush | Soldering terminal | 24 V | Bell | 82-5153.2000.B005 | 339 | 84 |
| | flush | Soldering terminal | 24 V | Door open | 82-5153.2000.B006 | 339 | 84 |
| Momentary | flush | Screw terminal | 24 V | ON/OFF | 82-5154.1000.B001 | 338 | 88 |
| | flush | Screw terminal | 24 V | Standby | 82-5154.1000.B002 | 338 | 88 |
| | flush | Screw terminal | 24 V | Light | 82-5154.1000.B003 | 338 | 88 |
| | flush | Screw terminal | 24 V | Info | 82-5154.1000.B004 | 338 | 88 |
| | flush | Screw terminal | 24 V | Bell | 82-5154.1000.B005 | 338 | 88 |
| | flush | Screw terminal | 24 V | Door open | 82-5154.1000.B006 | 338 | 88 |
| Maintained | flush | Screw terminal | 24 V | ON/OFF | 82-5154.2000.B001 | 339 | 88 |
| | flush | Screw terminal | 24 V | Standby | 82-5154.2000.B002 | 339 | 88 |
| | flush | Screw terminal | 24 V | Light | 82-5154.2000.B003 | 339 | 88 |
| | flush | Screw terminal | 24 V | Info | 82-5154.2000.B004 | 339 | 88 |
| | flush | Screw terminal | 24 V | Bell | 82-5154.2000.B005 | 339 | 88 |
| | flush | Screw terminal | 24 V | Door open | 82-5154.2000.B006 | 339 | 88 |

Wiring diagrams



Component layouts



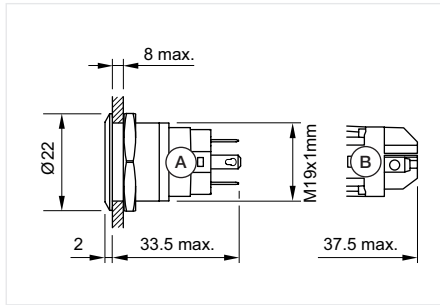
- 01
- 02
- 03
- 04
- 09
- 14
- 17
- 18
- 19
- 22
- 31
- 41
- 45
- 51
- 56
- 57
- 61
- 70
- 71
- 82**
- 84
- 92
- 96

82 Flush design

Illuminated pushbutton Ø 19 mm, stainless steel 304, silver contact, IP65, IP67

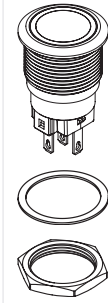


Product can differ from the current configuration.



Dimensions [mm]
A = Solder terminal
B = Screw terminal

Equipment consisting of (schematic overview)



Actuator

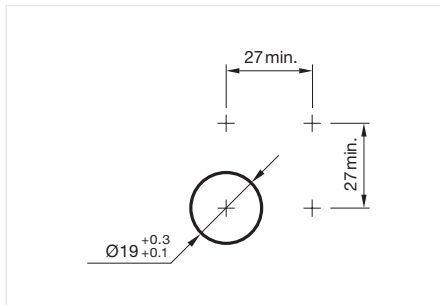
Seal

Fixing nut

Each Part Number listed below includes all the black components shown in the 3D-drawing.

General information

- The laser 2D-technology can mark all stainless steel versions with flat lenses - flush-mounting as well as raised versions.



Mounting cut-outs [mm]

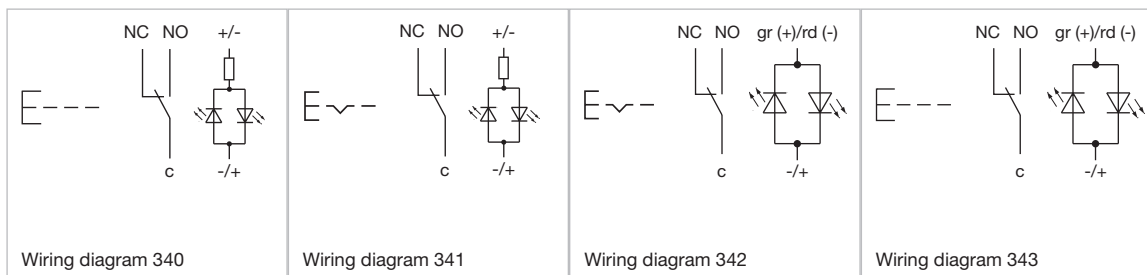


Illuminated pushbutton

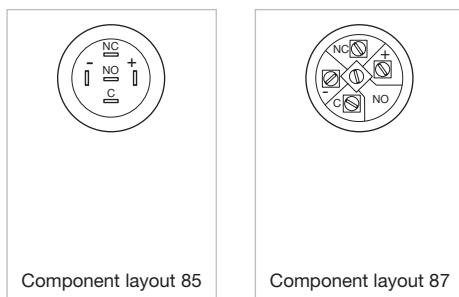
| Switching action | Illumination colour | Lens shape | Terminal | Shape of illumination | Switching voltage | Operating voltage LED | Part No. | Wiring diagram | Component Layout |
|------------------|---------------------|------------|--------------------|-----------------------|-------------------|-----------------------|--------------|----------------|------------------|
| Maintained | White | flush | Screw terminal | Ring | 240 V | 24 V DC | 82-5152.2154 | 341 | 87 |
| | Yellow | flush | Screw terminal | Ring | 240 V | 24 V DC | 82-5152.2144 | 341 | 87 |
| | Green | flush | Screw terminal | Ring | 240 V | 24 V DC | 82-5152.2134 | 341 | 87 |
| | Blue | flush | Screw terminal | Ring | 240 V | 24 V DC | 82-5152.2124 | 341 | 87 |
| | Red | flush | Screw terminal | Ring | 240 V | 24 V DC | 82-5152.2114 | 341 | 87 |
| Momentary | White | flush | Screw terminal | Ring | 240 V | 24 V DC | 82-5152.1154 | 340 | 87 |
| | Yellow | flush | Screw terminal | Ring | 240 V | 24 V DC | 82-5152.1144 | 340 | 87 |
| | Green | flush | Screw terminal | Ring | 240 V | 24 V DC | 82-5152.1134 | 340 | 87 |
| | Blue | flush | Screw terminal | Ring | 240 V | 24 V DC | 82-5152.1124 | 340 | 87 |
| | Red | flush | Screw terminal | Ring | 240 V | 24 V DC | 82-5152.1114 | 340 | 87 |
| Maintained | White | flush | Soldering terminal | Ring | 240 V | 24 V DC | 82-5151.2154 | 341 | 85 |
| | Yellow | flush | Soldering terminal | Ring | 240 V | 24 V DC | 82-5151.2144 | 341 | 85 |
| | Green | flush | Soldering terminal | Ring | 240 V | 24 V DC | 82-5151.2134 | 341 | 85 |
| | Blue | flush | Soldering terminal | Ring | 240 V | 24 V DC | 82-5151.2124 | 341 | 85 |
| | Red | flush | Soldering terminal | Ring | 240 V | 24 V DC | 82-5151.2114 | 341 | 85 |
| Momentary | White | flush | Soldering terminal | Ring | 240 V | 24 V DC | 82-5151.1154 | 340 | 85 |
| | Yellow | flush | Soldering terminal | Ring | 240 V | 24 V DC | 82-5151.1144 | 340 | 85 |
| | Green | flush | Soldering terminal | Ring | 240 V | 24 V DC | 82-5151.1134 | 340 | 85 |
| | Blue | flush | Soldering terminal | Ring | 240 V | 24 V DC | 82-5151.1124 | 340 | 85 |
| | Red | flush | Soldering terminal | Ring | 240 V | 24 V DC | 82-5151.1114 | 340 | 85 |

| Switching action | Illumination colour | Lens shape | Terminal | Shape of illumination | Switching voltage | Operating voltage LED | Part No. | Wiring diagram | Component Layout |
|------------------|---------------------|------------|--------------------|-----------------------|-------------------|-----------------------|--------------|----------------|------------------|
| Maintained | Red / Green | flush | Screw terminal | Dot | 240 V | 24 V DC | 82-5152.22A4 | 342 | 87 |
| | Red / Green | flush | Screw terminal | Ring | 240 V | 24 V DC | 82-5152.21A4 | 342 | 87 |
| Momentary | Red / Green | flush | Screw terminal | Dot | 240 V | 24 V DC | 82-5152.12A4 | 343 | 87 |
| | Red / Green | flush | Screw terminal | Ring | 240 V | 24 V DC | 82-5152.11A4 | 343 | 87 |
| Maintained | Red / Green | flush | Soldering terminal | Dot | 240 V | 24 V DC | 82-5151.22A4 | 342 | 85 |
| | Red / Green | flush | Soldering terminal | Ring | 240 V | 24 V DC | 82-5151.21A4 | 342 | 85 |
| Momentary | Red / Green | flush | Soldering terminal | Dot | 240 V | 24 V DC | 82-5151.12A4 | 343 | 85 |
| | Red / Green | flush | Soldering terminal | Ring | 240 V | 24 V DC | 82-5151.11A4 | 343 | 85 |

Wiring diagrams



Component layouts

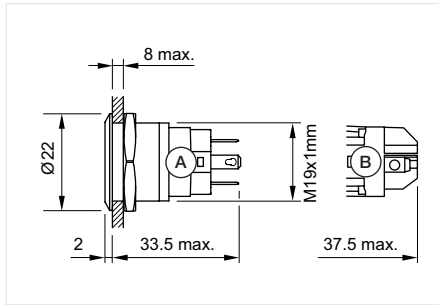


82 Flush design

Illuminated pushbutton Ø 19 mm, stainless steel 304, gold contact, IP65, IP67

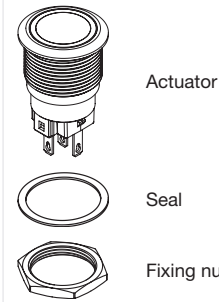


Product can differ from the current configuration.



Dimensions [mm]
A = Solder terminal
B = Screw terminal

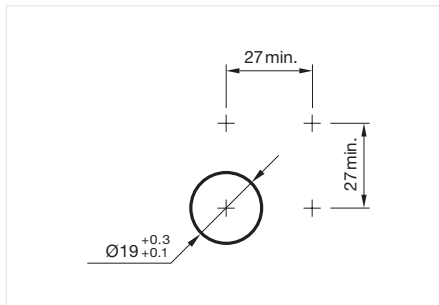
Equipment consisting of (schematic overview)



Each Part Number listed below includes all the black components shown in the 3D-drawing.

General information

- The laser 2D-technology can mark all stainless steel versions with flat lenses - flush-mounting as well as raised versions.



Mounting cut-outs [mm]

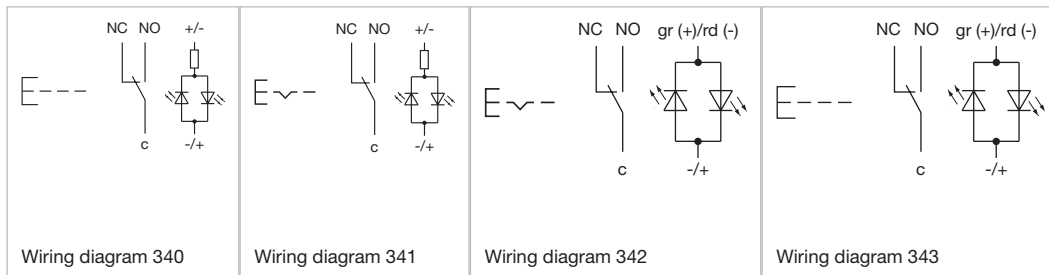


Illuminated pushbutton

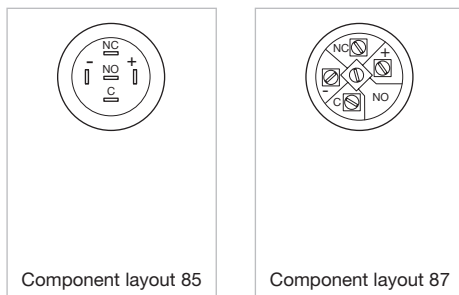
| Switching action | Illumination colour | Lens shape | Terminal | Shape of illumination | Switching voltage | Operating voltage LED | Part No. | Wiring diagram | Component Layout |
|------------------|---------------------|------------|--------------------|-----------------------|-------------------|-----------------------|--------------|----------------|------------------|
| Maintained | Yellow | flush | Screw terminal | Ring | 24 V | 24 V DC | 82-5154.2144 | 341 | 87 |
| | Green | flush | Screw terminal | Ring | 24 V | 24 V DC | 82-5154.2134 | 341 | 87 |
| | Blue | flush | Screw terminal | Ring | 24 V | 24 V DC | 82-5154.2124 | 341 | 87 |
| | Red | flush | Screw terminal | Ring | 24 V | 24 V DC | 82-5154.2114 | 341 | 87 |
| Momentary | White | flush | Screw terminal | Ring | 24 V | 24 V DC | 82-5154.1154 | 340 | 87 |
| | Yellow | flush | Screw terminal | Ring | 24 V | 24 V DC | 82-5154.1144 | 340 | 87 |
| | Green | flush | Screw terminal | Ring | 24 V | 24 V DC | 82-5154.1134 | 340 | 87 |
| | Blue | flush | Screw terminal | Ring | 24 V | 24 V DC | 82-5154.1124 | 340 | 87 |
| | Red | flush | Screw terminal | Ring | 24 V | 24 V DC | 82-5154.1114 | 340 | 87 |
| Maintained | White | flush | Soldering terminal | Ring | 24 V | 24 V DC | 82-5153.2154 | 341 | 85 |
| | Yellow | flush | Soldering terminal | Ring | 24 V | 24 V DC | 82-5153.2144 | 341 | 85 |
| | Green | flush | Soldering terminal | Ring | 24 V | 24 V DC | 82-5153.2134 | 341 | 85 |
| | Blue | flush | Soldering terminal | Ring | 24 V | 24 V DC | 82-5153.2124 | 341 | 85 |
| | Red | flush | Soldering terminal | Ring | 24 V | 24 V DC | 82-5153.2114 | 341 | 85 |
| Momentary | White | flush | Soldering terminal | Ring | 24 V | 24 V DC | 82-5153.1154 | 340 | 85 |
| | Yellow | flush | Soldering terminal | Ring | 24 V | 24 V DC | 82-5153.1144 | 340 | 85 |
| | Green | flush | Soldering terminal | Ring | 24 V | 24 V DC | 82-5153.1134 | 340 | 85 |
| | Blue | flush | Soldering terminal | Ring | 24 V | 24 V DC | 82-5153.1124 | 340 | 85 |
| | Red | flush | Soldering terminal | Ring | 24 V | 24 V DC | 82-5153.1114 | 340 | 85 |
| Maintained | Red / Green | flush | Screw terminal | Dot | 24 V | 24 V DC | 82-5154.22A4 | 342 | 87 |

| Switching action | Illumination colour | Lens shape | Terminal | Shape of illumination | Switching voltage | Operating voltage LED | Part No. | Wiring diagram | Component Layout |
|------------------|---------------------|------------|--------------------|-----------------------|-------------------|-----------------------|--------------|----------------|------------------|
| Maintained | Red / Green | flush | Screw terminal | Ring | 24 V | 24 V DC | 82-5154.21A4 | 342 | 87 |
| Momentary | Red / Green | flush | Screw terminal | Dot | 24 V | 24 V DC | 82-5154.12A4 | 343 | 87 |
| | Red / Green | flush | Screw terminal | Ring | 24 V | 24 V DC | 82-5154.11A4 | 343 | 87 |
| Maintained | Red / Green | flush | Soldering terminal | Dot | 24 V | 24 V DC | 82-5153.22A4 | 342 | 85 |
| | Red / Green | flush | Soldering terminal | Ring | 24 V | 24 V DC | 82-5153.21A4 | 342 | 85 |
| Momentary | Red / Green | flush | Soldering terminal | Dot | 24 V | 24 V DC | 82-5153.12A4 | 343 | 85 |
| | Red / Green | flush | Soldering terminal | Ring | 24 V | 24 V DC | 82-5153.11A4 | 343 | 85 |

Wiring diagrams



Component layouts

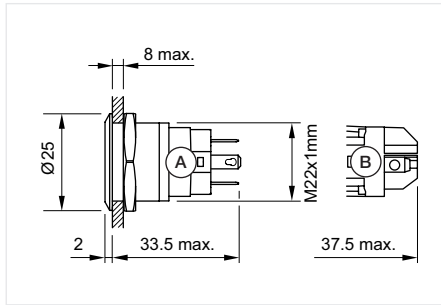


82 Flush design

Illuminated pushbutton Ø 22 mm, stainless steel 304, silver contact, IP65, IP67

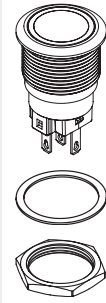


Product can differ from the current configuration.



Dimensions [mm]
A = Solder terminal
B = Screw terminal

Equipment consisting of (schematic overview)



Actuator

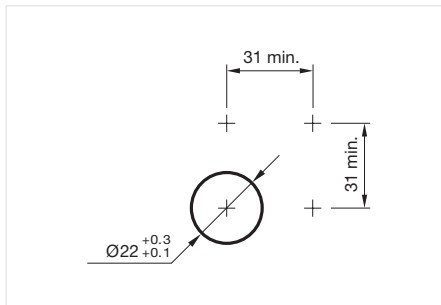
Seal

Fixing nut

Each Part Number listed below includes all the black components shown in the 3D-drawing.

General information

- The laser 2D-technology can mark all stainless steel versions with flat lenses - flush-mounting as well as raised versions.



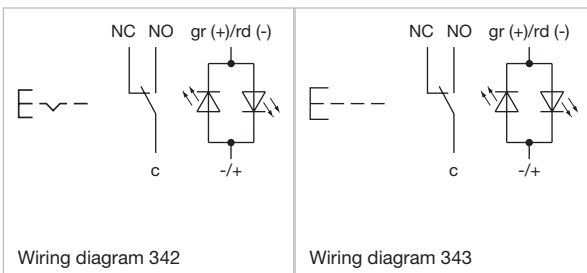
Mounting cut-outs [mm]



Illuminated pushbutton

| Switching action | Illumination colour | Lens shape | Terminal | Shape of illumination | Switching voltage | Operating voltage LED | Part No. | Wiring diagram | Component Layout |
|------------------|---------------------|------------|--------------------|-----------------------|-------------------|-----------------------|--------------|----------------|------------------|
| Maintained | Red / Green | flush | Screw terminal | Dot | 240 V | 24 V DC | 82-6152.22A4 | 342 | 87 |
| | Red / Green | flush | Screw terminal | Ring | 240 V | 24 V DC | 82-6152.21A4 | 342 | 87 |
| Momentary | Red / Green | flush | Screw terminal | Dot | 240 V | 24 V DC | 82-6152.12A4 | 343 | 87 |
| | Red / Green | flush | Screw terminal | Ring | 240 V | 24 V DC | 82-6152.11A4 | 343 | 87 |
| Maintained | Red / Green | flush | Soldering terminal | Dot | 240 V | 24 V DC | 82-6151.22A4 | 342 | 85 |
| | Red / Green | flush | Soldering terminal | Ring | 240 V | 24 V DC | 82-6151.21A4 | 342 | 85 |
| Momentary | Red / Green | flush | Soldering terminal | Dot | 240 V | 24 V DC | 82-6151.12A4 | 343 | 85 |
| | Red / Green | flush | Soldering terminal | Ring | 240 V | 24 V DC | 82-6151.11A4 | 343 | 85 |

Wiring diagrams



Component layouts



Component layout 85



Component layout 87



Robust and attractive.
The optimised Series 82.

Now with gold-plated silver contacts for low-level applications available.

- Impact resistant to IK10
- Front protection IP67
- Low-level applications possible
- Optional illumination and laser marking
- Excellent tactile feedback
- Long service life

www.eao.com

eao ■

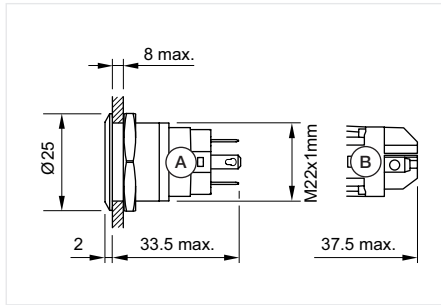
Your Expert Partner for Human Machine Interfaces

82 Flush design

Illuminated pushbutton Ø 22 mm, stainless steel 304, gold contact, IP65, IP67

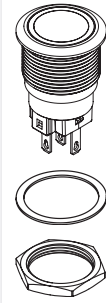


Product can differ from the current configuration.



Dimensions [mm]
A = Solder terminal
B = Screw terminal

Equipment consisting of (schematic overview)



Actuator

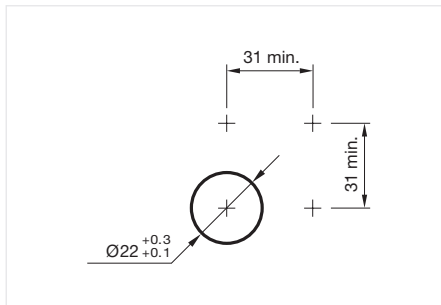
Seal

Fixing nut

Each Part Number listed below includes all the black components shown in the 3D-drawing.

General information

- The laser 2D-technology can mark all stainless steel versions with flat lenses - flush-mounting as well as raised versions.



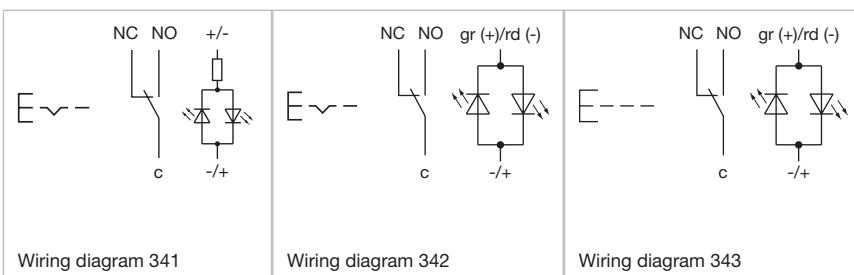
Mounting cut-outs [mm]



Illuminated pushbutton

| Switching action | Illumination colour | Lens shape | Terminal | Shape of illumination | Switching voltage | Operating voltage LED | Part No. | Wiring diagram | Component Layout |
|------------------|---------------------|------------|--------------------|-----------------------|-------------------|-----------------------|--------------|----------------|------------------|
| Maintained | White | flush | Screw terminal | Ring | 24 V | 24 V DC | 82-6154.2154 | 341 | 87 |
| | Red / Green | flush | Screw terminal | Dot | 24 V | 24 V DC | 82-6154.22A4 | 342 | 87 |
| | Red / Green | flush | Screw terminal | Ring | 24 V | 24 V DC | 82-6154.21A4 | 342 | 87 |
| Momentary | Red / Green | flush | Screw terminal | Dot | 24 V | 24 V DC | 82-6154.12A4 | 343 | 87 |
| | Red / Green | flush | Screw terminal | Ring | 24 V | 24 V DC | 82-6154.11A4 | 343 | 87 |
| Maintained | Red / Green | flush | Soldering terminal | Dot | 24 V | 24 V DC | 82-6153.22A4 | 342 | 85 |
| | Red / Green | flush | Soldering terminal | Ring | 24 V | 24 V DC | 82-6153.21A4 | 342 | 85 |
| Momentary | Red / Green | flush | Soldering terminal | Dot | 24 V | 24 V DC | 82-6153.12A4 | 343 | 85 |
| | Red / Green | flush | Soldering terminal | Ring | 24 V | 24 V DC | 82-6153.11A4 | 343 | 85 |

Wiring diagrams



Wiring diagram 341

Wiring diagram 342

Wiring diagram 343

Component layouts



Component layout 85



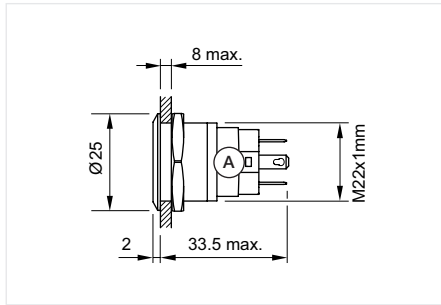
Component layout 87

- 01
- 02
- 03
- 04
- 09
- 14
- 17
- 18
- 19
- 22
- 31
- 41
- 45
- 51
- 56
- 57
- 61
- 70
- 71
- 82**
- 84
- 92
- 96

Illuminated pushbutton Ø 22 mm stainless steel 304, with symbol, IP65, IP67

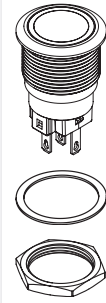


Product can differ from the current configuration.



Dimensions [mm]

Equipment consisting of (schematic overview)



Actuator

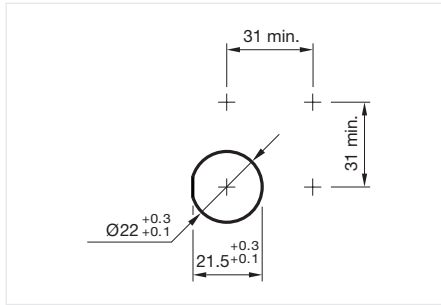
Seal

Fixing nut

Each Part Number listed below includes all the black components shown in the 3D-drawing.

General information

- The laser 2D-technology can mark all stainless steel versions with flat lenses - flush-mounting as well as raised versions.



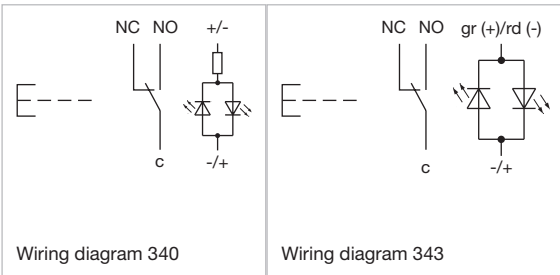
Mounting cut-outs [mm]



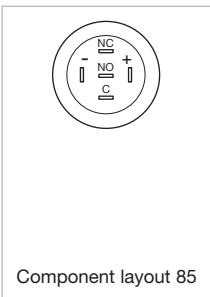
Illuminated pushbutton

| Switching action | Illumination colour | Lens shape | Terminal | Symbol | Shape of illumination | Switching voltage | Operating voltage LED | Part No. | Wiring diagram | Component Layout | |
|------------------|---------------------|------------|--------------------|--------------------|-----------------------|-------------------|-----------------------|-------------------|-------------------|------------------|----|
| Momentary | Red | flach | Soldering terminal | ON/OFF | Symbol | 240 V | 24 V DC | 82-6151.1A14.B001 | 340 | 85 | |
| | Green | flach | Soldering terminal | ON/OFF | Symbol | 240 V | 24 V DC | 82-6151.1A34.B001 | 340 | 85 | |
| | Red | flach | Soldering terminal | Standby | Symbol | 240 V | 24 V DC | 82-6151.1A14.B002 | 340 | 85 | |
| | Green | flach | Soldering terminal | Standby | Symbol | 240 V | 24 V DC | 82-6151.1A34.B002 | 340 | 85 | |
| | Blue | flach | Soldering terminal | Info | Symbol | 240 V | 24 V DC | 82-6151.1A24.B004 | 340 | 85 | |
| | White | flach | Soldering terminal | Info | Symbol | 240 V | 24 V DC | 82-6151.1A54.B004 | 340 | 85 | |
| | Red | flach | Soldering terminal | Door open | Symbol | 240 V | 24 V DC | 82-6151.1A14.B006 | 340 | 85 | |
| | Green | flach | Soldering terminal | Door open | Symbol | 240 V | 24 V DC | 82-6151.1A34.B006 | 340 | 85 | |
| | Blue | flach | Soldering terminal | Door open | Symbol | 240 V | 24 V DC | 82-6151.1A24.B006 | 340 | 85 | |
| | Red | flach | Soldering terminal | SOS | Symbol | 240 V | 24 V DC | 82-6151.1A14.B015 | 340 | 85 | |
| | Blue | flach | Soldering terminal | SOS | Symbol | 240 V | 24 V DC | 82-6151.1A24.B015 | 340 | 85 | |
| | White | flach | Soldering terminal | SOS | Symbol | 240 V | 24 V DC | 82-6151.1A54.B015 | 340 | 85 | |
| | Maintained | Red | flach | Soldering terminal | ON/OFF | Symbol | 240 V | 24 V DC | 82-6151.2A14.B001 | 340 | 85 |
| | | Green | flach | Soldering terminal | ON/OFF | Symbol | 240 V | 24 V DC | 82-6151.2A34.B001 | 340 | 85 |
| Momentary | Red/Green | flach | Soldering terminal | ON/OFF | Symbol | 240 V | 24 V DC | 82-6151.1AA4.B001 | 343 | 85 | |
| | Red/Green | flach | Soldering terminal | Standby | Symbol | 240 V | 24 V DC | 82-6151.1AA4.B002 | 343 | 85 | |
| | Red/Green | flach | Soldering terminal | Info | Symbol | 240 V | 24 V DC | 82-6151.1AA4.B004 | 343 | 85 | |
| | Red/Green | flach | Soldering terminal | Door open | Symbol | 240 V | 24 V DC | 82-6151.1AA4.B006 | 343 | 85 | |
| | Red/Green | flach | Soldering terminal | SOS | Symbol | 240 V | 24 V DC | 82-6151.1AA4.B015 | 343 | 85 | |
| Maintained | Red/Green | flach | Soldering terminal | ON/OFF | Symbol | 240 V | 24 V DC | 82-6151.2AA4.B001 | 343 | 85 | |

Wiring diagrams



Component layouts



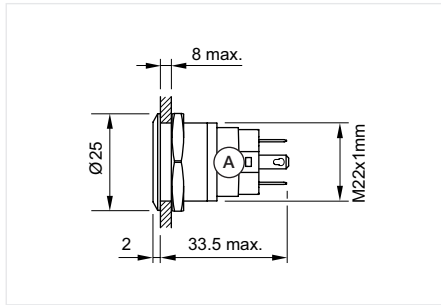
- 01
- 02
- 03
- 04
- 09
- 14
- 17
- 18
- 19
- 22
- 31
- 41
- 45
- 51
- 56
- 57
- 61
- 70
- 71
- 82**
- 84
- 92
- 96

82 Flush design

Illuminated pushbutton Ø 22 mm, stainless steel 316L, IP65, IP67

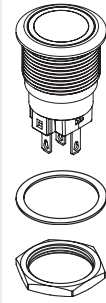


Product can differ from the current configuration.



Dimensions [mm]

Equipment consisting of (schematic overview)



Actuator

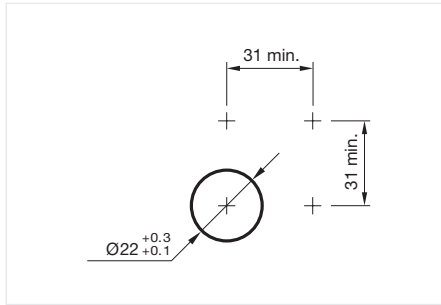
Seal

Fixing nut

Each Part Number listed below includes all the black components shown in the 3D-drawing.

General information

- The laser 2D-technology can mark all stainless steel versions with flat lenses - flush-mounting as well as raised versions.



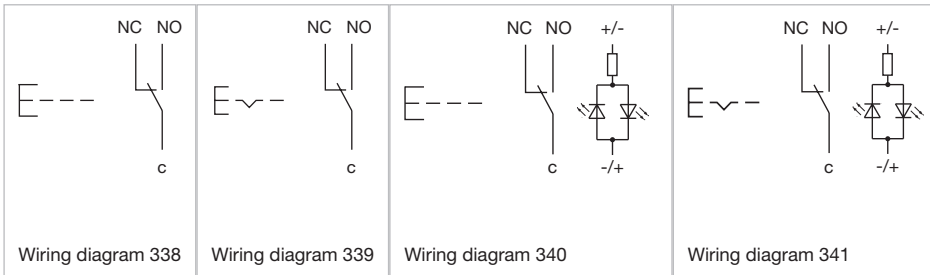
Mounting cut-outs [mm]



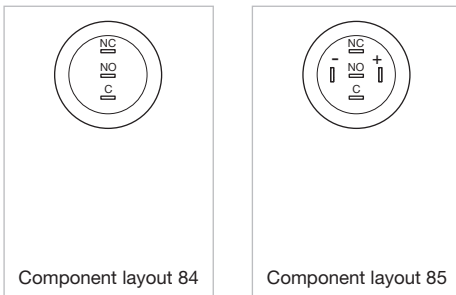
Illuminated pushbutton

| Switching action | Illumination colour | Lens shape | Terminal | Shape of illumination | Switching voltage | Operating voltage LED | Part No. | Wiring diagram | Component Layout |
|------------------|---------------------|------------|------------------|-----------------------|-------------------|-----------------------|--------------|----------------|------------------|
| Momentary | Red | flush | Plug-in terminal | Ring (Tritan) | 35 V | 24 V DC | 82-6651.1114 | 340 | 85 |
| | Blue | flush | Plug-in terminal | Ring (Tritan) | 35 V | 24 V DC | 82-6651.1124 | 340 | 85 |
| | Green | flush | Plug-in terminal | Ring (Tritan) | 35 V | 24 V DC | 82-6651.1134 | 340 | 85 |
| | White | flush | Plug-in terminal | Ring (Tritan) | 35 V | 24 V DC | 82-6651.1154 | 340 | 85 |
| Maintained | Red | flush | Plug-in terminal | Ring (Tritan) | 35 V | 24 V DC | 82-6651.2114 | 341 | 85 |
| | Blue | flush | Plug-in terminal | Ring (Tritan) | 35 V | 24 V DC | 82-6651.2124 | 341 | 85 |
| | Green | flush | Plug-in terminal | Ring (Tritan) | 35 V | 24 V DC | 82-6651.2134 | 341 | 85 |
| | White | flush | Plug-in terminal | Ring (Tritan) | 35 V | 24 V DC | 82-6651.2154 | 341 | 85 |
| Momentary | | flush | Plug-in terminal | | 35 V | | 82-6651.1000 | 338 | 84 |
| Maintained | | flush | Plug-in terminal | | 35 V | | 82-6651.2000 | 339 | 84 |

Wiring diagrams



Component layouts



EAO Downloads.
www.eao.com/downloads
EAO creates possibilities. Since 1947.



On our website you can download technical data, assembly instructions, catalogs, brochures and much more.

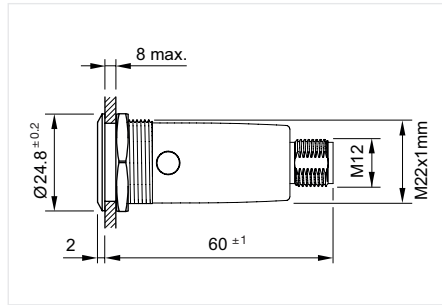
01
02
03
04
09
14
17
18
19
22
31
41
45
51
56
57
61
70
71
82
84
92
96

82 Flush design

Pushbutton, illuminated pushbutton with M12 connector, Ø 22 mm, stainless steel 316L, IP65, IP67

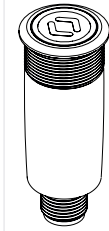


Product can differ from the current configuration.



Dimensions [mm]

Equipment consisting of (schematic overview)



Actuator



Seal

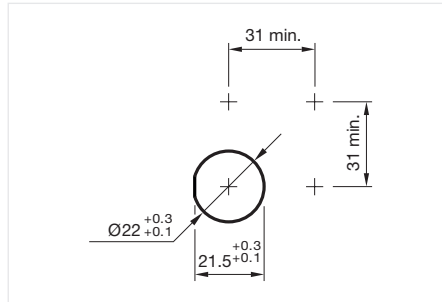


Fixing nut

Each Part Number listed below includes all the black components shown in the 3D-drawing.

General information

- The laser 2D-technology can mark all stainless steel versions with flat lenses - flush-mounting as well as raised versions.



Mounting cut-outs [mm]



Pushbutton

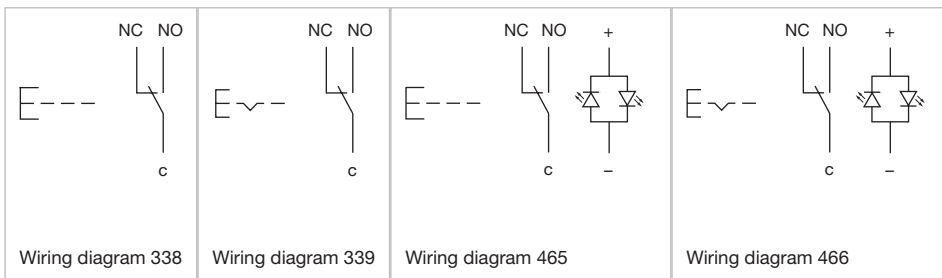
| Switching action | Lens shape | Terminal | Switching voltage | Part No. | Wiring diagram | Component Layout |
|------------------|------------|------------------------|-------------------|--------------|----------------|------------------|
| Momentary | flush | M12 connector (5 pins) | 35 V | 82-6657.1000 | 338 | 109 |
| Maintained | flush | M12 connector (5 pins) | 35 V | 82-6657.2000 | 339 | 109 |



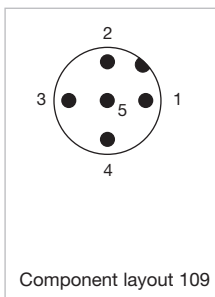
Illuminated pushbutton

| Switching action | Illumination colour | Lens shape | Terminal | Shape of illumination | Switching voltage | Operating voltage LED | Part No. | Wiring diagram | Component Layout |
|------------------|---------------------|------------|------------------------|-----------------------|-------------------|-----------------------|--------------|----------------|------------------|
| Momentary | Red | flush | M12 connector (5 pins) | Ring (Tritan) | 35 V | 24 V DC | 82-6657.1114 | 465 | 109 |
| | Blue | flush | M12 connector (5 pins) | Ring (Tritan) | 35 V | 24 V DC | 82-6657.1124 | 465 | 109 |
| | Green | flush | M12 connector (5 pins) | Ring (Tritan) | 35 V | 24 V DC | 82-6657.1134 | 465 | 109 |
| | White | flush | M12 connector (5 pins) | Ring (Tritan) | 35 V | 24 V DC | 82-6657.1154 | 465 | 109 |
| Maintained | Red | flush | M12 connector (5 pins) | Ring (Tritan) | 35 V | 24 V DC | 82-6657.2114 | 466 | 109 |
| | Blue | flush | M12 connector (5 pins) | Ring (Tritan) | 35 V | 24 V DC | 82-6657.2124 | 466 | 109 |
| | Green | flush | M12 connector (5 pins) | Ring (Tritan) | 35 V | 24 V DC | 82-6657.2134 | 466 | 109 |
| | White | flush | M12 connector (5 pins) | Ring (Tritan) | 35 V | 24 V DC | 82-6657.2154 | 466 | 109 |

Wiring diagrams



Component layouts



- 1 = NC
- 2 = LED+
- 3 = Common
- 4 = LED-
- 5 = NO
- A-Coded

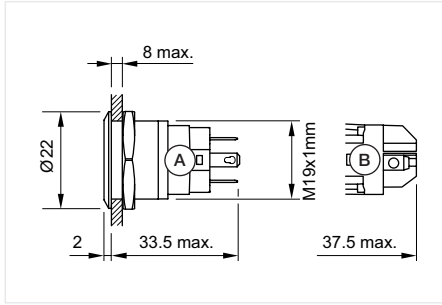
- 01
- 02
- 03
- 04
- 09
- 14
- 17
- 18
- 19
- 22
- 31
- 41
- 45
- 51
- 56
- 57
- 61
- 70
- 71
- 82**
- 84
- 92
- 96

82 Flush design

Indicator 19 mm, stainless steel 304, IP65, IP67

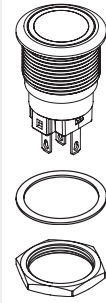


Product can differ from the current configuration.



Dimensions [mm]
A = Solder terminal
B = Screw terminal

Equipment consisting of (schematic overview)



Actuator

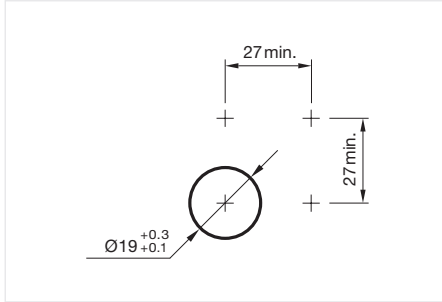
Seal

Fixing nut

Each Part Number listed below includes all the black components shown in the 3D-drawing.

General information

- The laser 2D-technology can mark all stainless steel versions with flat lenses - flush-mounting as well as raised versions.



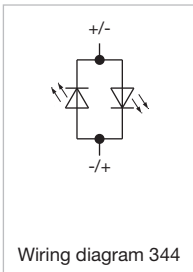
Mounting cut-outs [mm]



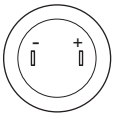
Indicator

| Illumination colour | Shape of illumination | Lens shape | Operating voltage | Operation current | Terminal | Part No. | Wiring diagram | Component Layout |
|---------------------|-----------------------|------------|-------------------|-------------------|--------------------|--------------|----------------|------------------|
| Red / Green | Dot | flush | 24 V DC | 7 mA | Screw terminal | 82-5152.02A4 | 344 | 89 |
| | Ring | flush | 24 V DC | 7 mA | Screw terminal | 82-5152.01A4 | 344 | 89 |
| | Dot | flush | 24 V DC | 7 mA | Soldering terminal | 82-5151.02A4 | 344 | 86 |
| | Ring | flush | 24 V DC | 7 mA | Soldering terminal | 82-5151.01A4 | 344 | 86 |

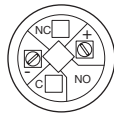
Wiring diagrams



Component layouts



Component layout 86



Component layout 89

01

02

03

04

09

14

17

18

19

22

31

41

45

51

56

57

61

70

71

82

84

92

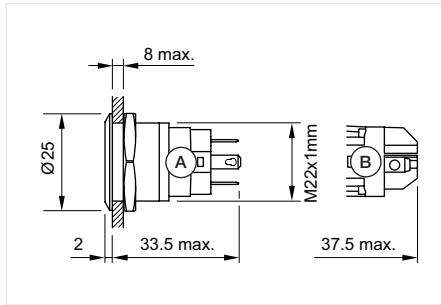
96

82 Flush design

Indicator 22 mm, stainless steel 304, IP65, IP67

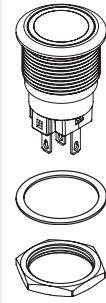


Product can differ from the current configuration.



Dimensions [mm]
A = Solder terminal
B = Screw terminal

Equipment consisting of (schematic overview)



Actuator

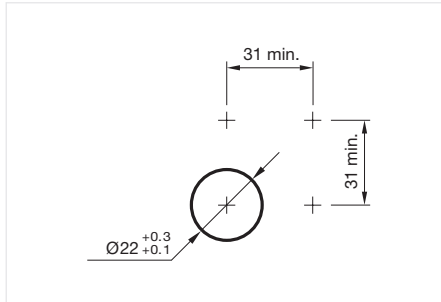
Seal

Fixing nut

Each Part Number listed below includes all the black components shown in the 3D-drawing.

General information

- The laser 2D-technology can mark all stainless steel versions with flat lenses - flush-mounting as well as raised versions.



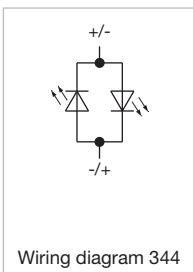
Mounting cut-outs [mm]



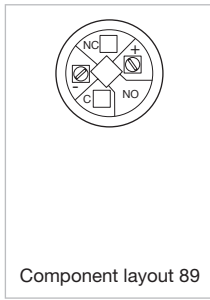
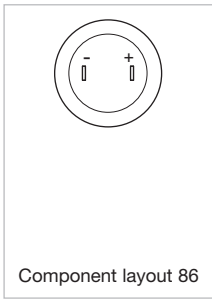
Indicator

| Illumination colour | Shape of illumination | Lens shape | Operating voltage LED | Operation current LED | Terminal | Part No. | Wiring diagram | Component Layout |
|---------------------|-----------------------|------------|-----------------------|-----------------------|--------------------|--------------|----------------|------------------|
| Red / Green | Dot | flush | 24 V DC | 7 mA | Screw terminal | 82-6152.02A4 | 344 | 89 |
| | Ring | flush | 24 V DC | 7 mA | Screw terminal | 82-6152.01A4 | 344 | 89 |
| | Dot | flush | 24 V DC | 7 mA | Soldering terminal | 82-6151.02A4 | 344 | 86 |
| | Ring | flush | 24 V DC | 7 mA | Soldering terminal | 82-6151.01A4 | 344 | 86 |

Wiring diagrams



Component layouts



- 01
- 02
- 03
- 04
- 09
- 14
- 17
- 18
- 19
- 22
- 31
- 41
- 45
- 51
- 56
- 57
- 61
- 70
- 71
- 82**
- 84
- 92
- 96

82 Accessories

Front side



Blind plug

| Dimensions | Material | Part No. |
|------------|-----------------|----------|
| Ø 16 mm | Stainless steel | 82-907 |
| Ø 19 mm | Stainless steel | 82-908 |
| Ø 22 mm | Stainless steel | 82-909 |



Protective cap

| Product attributes | Dimensions | Material | Colour | Optics | Part No. |
|--------------------|------------|----------|------------|-------------|----------|
| For button Ø 19 mm | Ø 19 mm | Silicone | Colourless | transparent | 82-911.1 |
| For button Ø 22 mm | Ø 22 mm | Silicone | Colourless | transparent | 82-912.1 |

Additional information

- Suitable for indicator, pushbutton and illuminated pushbutton with flush design and lens flat/level with front ring
- The exterior flush seal must be removed before mounting the protective cap
- Up to 300 000 actuations possible

Rear side



Flat receptacle

| Product attributes | Material | Part No. |
|-------------------------------|----------|----------|
| 2.8 x 0.5 mm plug-in terminal | Metal | 31-946 |



Insulation sleeve

| Product attributes | Material | Part No. |
|----------------------------|----------|----------|
| For flat receptacle 2.8 mm | Plastic | 31-929 |

- 01
- 02
- 03
- 04
- 09
- 14
- 17
- 18
- 19
- 22
- 31
- 41
- 45
- 51
- 56
- 57
- 61
- 70
- 71
- 82**
- 84
- 92
- 96



EAO Downloads.
www.eao.com/downloads
EAO creates possibilities. Since 1947.



[On our website you can download technical data, assembly instructions, catalogs, brochures and much more.](#)

82 Accessories

Mounting



Fixing nut

| Dimensions | Material | Part No. |
|------------|----------|----------|
| Ø 16 mm | Metal | 31-991 |
| Ø 19 mm | Metal | 82-902 |
| Ø 22 mm | Metal | 82-903 |



Fixing nut 6-sides stainless steel

| Dimensions | Material | Part No. |
|------------|----------|----------|
| Ø 16 mm | Metal | 82-916 |
| Ø 19 mm | Metal | 82-917 |
| Ø 22 mm | Metal | 82-918 |



Seal

| Abmessungen | Material | Part No. |
|-------------|----------|----------|
| Ø 16 mm | Plastic | 82-913 |
| Ø 19 mm | Plastic | 82-914 |
| Ø 22 mm | Plastic | 82-915 |



Mounting tool

| Product attributes | Dimensions | Material | Part No. |
|---|------------|----------|----------|
| For tightening or loosening of the fixing nut Ø 16 mm | Ø 16 mm | Metal | 01-907 |
| For tightening or loosening of the fixing nut Ø 19 mm | Ø 19 mm | Metal | 82-905 |
| For tightening or loosening of the fixing nut Ø 22 mm | Ø 22 mm | Metal | 84-997 |

Indicator, Pushbutton, Illuminated pushbutton

Switching system

Snap-action changeover contact normally closed/normally open.
Switching function momentary or maintain.

Material

Housing

Stainless-steel
Stainless-steel chrome-coloured
Brass gold-coloured (on request)
Aluminium natural anodized

Terminal housing

Plastic

Contact material

Silver alloy
Gold plated silver

Mechanical characteristics

Terminals

Plug-in terminal 2.8 mm x 0.5 mm
Screw terminal, Cable wire size min. 0.5 mm² / max. 1.5 mm²
Connector M12, screw connection with A-coding

Tightening torque

0.5 Nm min. ... 1.2 Nm max. for fixing nut
0.1 Nm for screw terminal
0.6 Nm max. for connector M12

Actuating force

4 ... 7 N

Actuating travel

Approx. 3 mm

Mechanical lifetime

Pushbutton momentary 1 Mio. cycles of operation
Pushbutton maintain 500 000 cycles of operation

Resistance to heat of soldering

Hand-soldering max. 260 °C, 3 sec.

Electrical characteristics

Rated Operational Voltage U_o

250 VAC

Rated Insulation Voltage U_i

250 V

Illumination

LED red, green, blue, yellow and white
LED and series resistor with polarity protection are built in.

| LED-Voltage | Tolerance | Current |
|-------------|-----------|---------|
| 6 VAC/DC | ± 10 % | 7 mA |
| 12 VAC/DC | ± 10 % | 7 mA |
| 24 VAC/DC | ± 10 % | 7 mA |
| 110 VAC | ± 10 % | 2 mA |
| 230 VAC | ± 10 % | 1.5 mA |

Electrical life

50 000 cycles of operation

Switching voltage and switching current as per IEC 60947-5-1 (Silver contacts)

Service categorie AC-15

| Voltage | Current |
|---------|---------------------|
| 24 VAC | 1 A |
| 35 VAC | 0.6 A (M12 version) |
| 110 VAC | 1 A |
| 220 VAC | 0.5 A |

Switch rating DC service categorie DC-13 (Silver contacts)

| Voltage | Current |
|---------|-------------------|
| 24 VDC | 0.7 A |
| 35 VDC | 1 A (M12 version) |
| 110 VDC | 0.2 A |
| 220 VDC | 0.1 A |

Switching voltage and switching current as per UL 508 (Silver contacts)

cos φ 0.75 ... 0.8)

| Voltage | Current |
|---------|---------|
| 120 VAC | 5 A |
| 240 VAC | 3 A |
| 24 VDC | 1 A |

Operational data

Silver contacts

| | Minimum Values |
|---------|----------------|
| Voltage | 17 VAC/DC |
| Current | 50 mA VAC/DC |

Silver contacts gold-plated

| | Minimum Values |
|---------|----------------|
| Voltage | 1 VAC/DC |
| Current | 5 mA VAC/DC |

Thermal current I_{th}

5 A

Electrical strength

1500 VAC, 50 Hz 1 minute between life terminals and ground

82 Technical data

Ambient conditions

Storage temperature

-40 °C ... +80 °C

Operating temperature

-30 °C ... +70 °C

Front protection

IP65 and IP67, as per IEC 60529

Impact resistance

IK10, as per IEC 62262

Shock resistance

Max. 500 m/s² as per IEC 60068-2-27

Degree of pollution

2, as per EN IEC 60947-1

Vibration resistance

10 ... 500 Hz, amplitude 1.5 mm p-p according to IEC 60068-2-6

EAO reserves the right to alter specifications without further notice.

Climate resistance

Damp heat, 21 days as per EN 60068-2

Stainless steel and aluminium versions (without symbol):

Saline mist, 96 hours as per EN 60068-2-11

Brass versions (without symbol):

Saline mist, 24 hours as per EN 60068-2-11

Approvals

Approbations (without M12 versions)

CB

UL

C UL

CCC

Conformities

CE

2014/35/EC (LVD)

2011/65/EC (RoHS)

General notes

1. Laser marking

Using laser technology, the Series 82 stainless steel version can be marked with almost any symbol or text in any language.

Laser marking is very resistant, hardly fades and is exceptionally durable. These are the ideal characteristics of vandal-resistant indicators, pushbuttons and illuminated pushbuttons.

2. Versions

The laser 2D-technology can mark all stainless steel versions with flush lenses – flush-mounting as well as raised versions.

3. Symbols, colours

Basically, all symbols and texts can be marked in all languages.

Therefore, we need electronic DXF-file only. All symbols or texts are marked in anthracite/dark grey.

4. Part number

Each symbol is given a continuous number. It will be combined with the configured part number to get the complete part number, see overview part number system.

5. Standard symbols

Several standard icons are available:

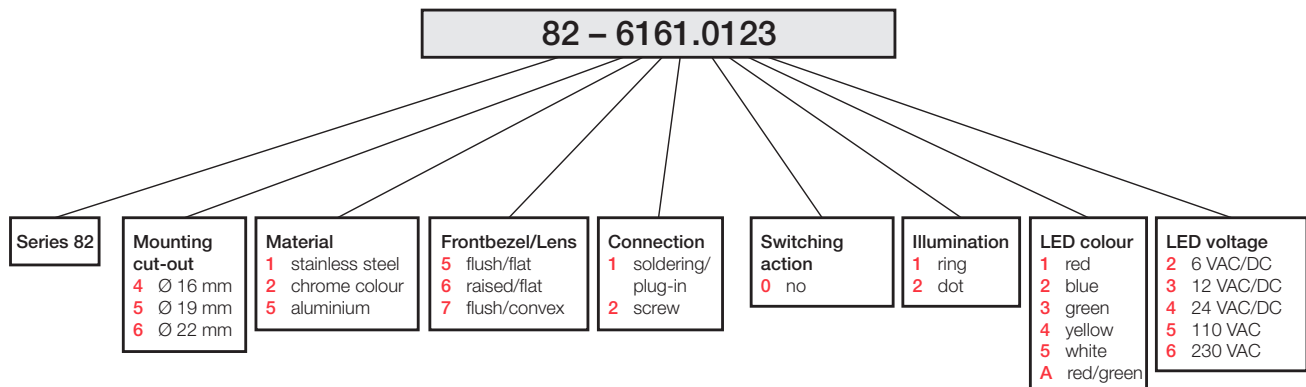
| | | | | | | |
|----------------------------|-------------------------------|------------------------------|-----------------------------|---------------------------|-----------------------------|-----------------------------|
| On/Off Part No. B001 | Standby Part No. B002 | Light Part No. B003 | Info Part No. B004 | Bell Part No. B005 | Door open Part No. B006 | Door close Part No. B007 |
| | | | | | | |
| Telephone Part No. B008 | Hand control Part No. B009 | Arrow right Part No. B010 | Arrow left Part No. B011 | Arrow up Part No. B012 | Arrow down Part No. B013 | Help Part No. B014 |
| | | | | | | |
| SOS Part No. B015 | EIN Part No. B016 | AUS Part No. B017 | AUF Part No. B018 | AB Part No. B019 | ON Part No. B020 | OFF Part No. B021 |
| | | | | | | |
| UP Part No. B022 | DOWN Part No. B023 | START Part No. B024 | STOP Part No. B025 | AUTO Part No. B026 | ENTER Part No. B027 | RESET Part No. B028 |
| | | | | | | |
| 1 Part No. B029 | 2 Part No. B030 | 3 Part No. B031 | 4 Part No. B032 | 5 Part No. B033 | 6 Part No. B034 | 7 Part No. B035 |
| | | | | | | |
| 8 Part No. B036 | 9 Part No. B037 | 0 Part No. B038 | * Part No. B039 | # Part No. B040 | + Part No. B041 | - Part No. B042 |
| | | | | | | |

82 Order examples

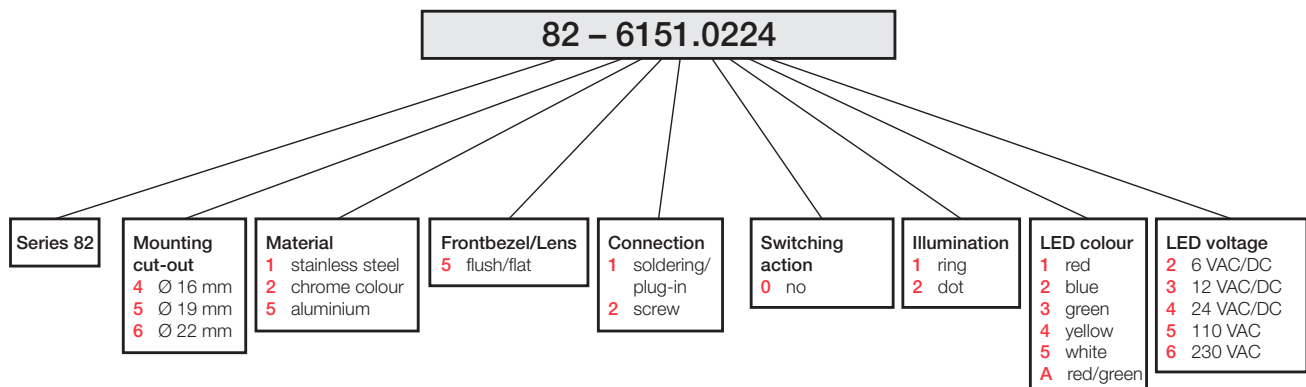
Part number system

| Series | Diameter | | Material | | Bezel/Lens | | Connection/SE Contacts | | Switching action | | Illumination | | LED colour | | LED voltage | | Laser Engraving | |
|--------|----------|-------|----------|----------------------------|------------|-------------------|------------------------|--------------------|------------------|------------|--------------|--------|------------|--------|-------------|----------|------------------|-----------|
| 82 | 4 | 16 mm | 1 | Stainless steel | 5 | flush/flat | 1 | Solder/Silver | 0 | Indicator | 0 | no LED | 0 | no LED | 0 | no LED | B001 | On/Off |
| | 5 | 19 mm | 2 | Chrome colour | 6 | flush/raised flat | 2 | Srew/Silver | 1 | Momentary | 1 | Ring | 1 | red | 2 | 6VAC/DC | B002 | Standby |
| | 6 | 22 mm | 5 | Aluminium natural anodized | 7 | flush/convex | 3 | Solder/Gold plated | 2 | Maintained | 2 | Dot | 2 | blue | 3 | 12VAC/DC | B003 | Light |
| | | | | | | | 4 | Screw/Gold plated | | | | | 3 | green | 4 | 24VAC/DC | B004 | Info |
| | | | | | | | | | | | | | 4 | yellow | 5 | 110VAC | B005 | Bell |
| | | | | | | | | | | | | | 5 | white | 6 | 230VAC | B006 | Door open |
| | | | | | | | | | | | | A | red/green | | | BXXX | Any other symbol | |

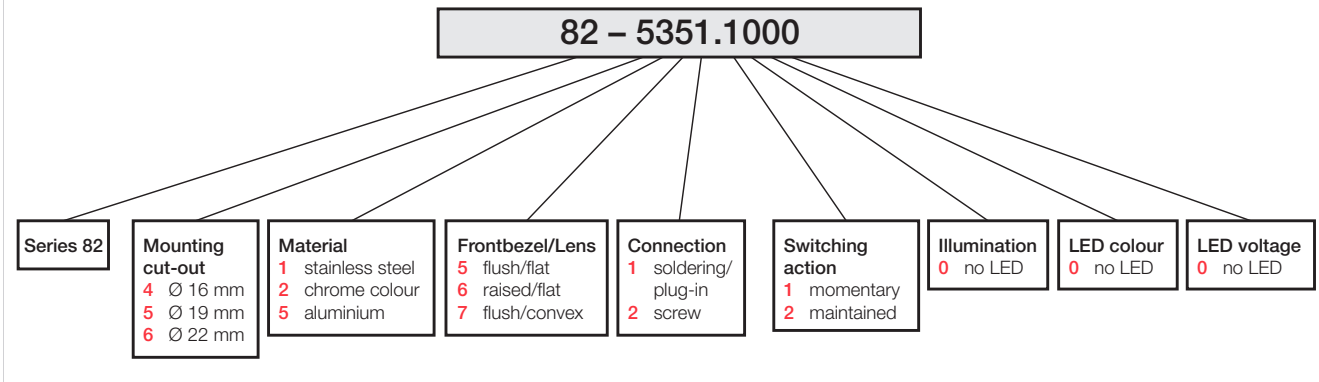
Order example for indicator with ring illumination



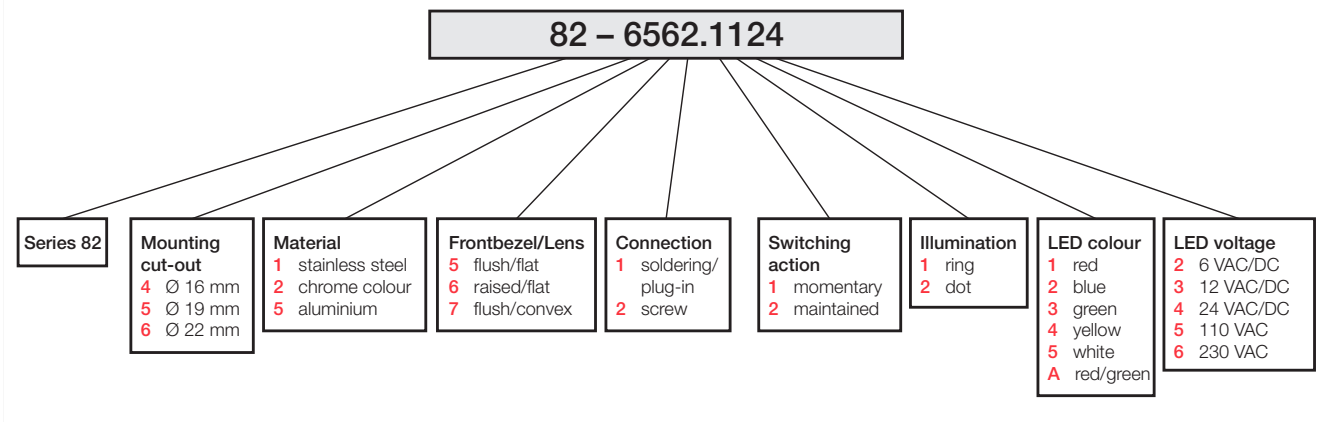
Order example for indicator with dot illumination



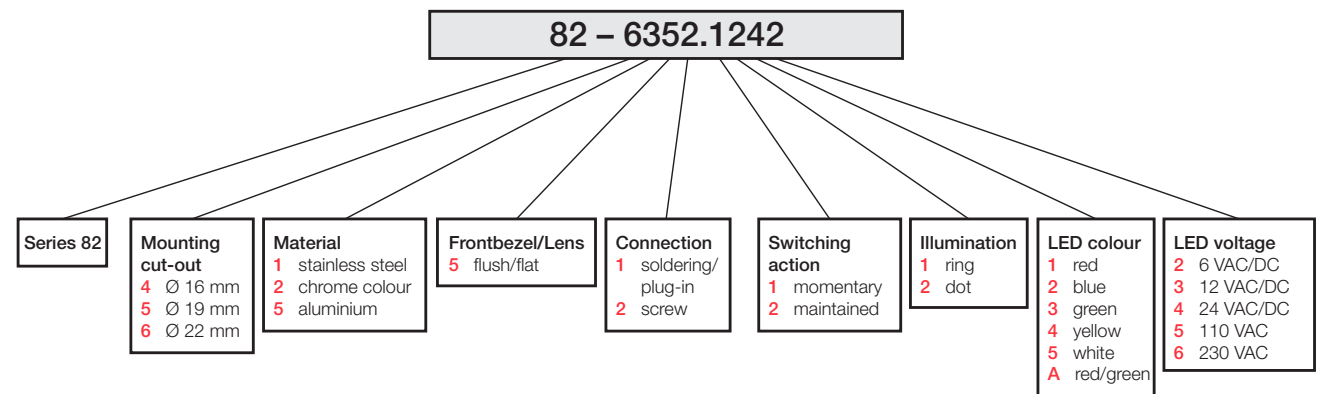
Order example for pushbutton



Order example for illuminated pushbutton ring illumination



Order example for illuminated pushbutton dot illumination



82 Application guidelines

Suppressor circuits

When switching inductive loads such as relays, DC motors, and DC solenoids, it is always important to absorb surges (e.g. with a diode) to protect the contacts. When these inductive loads are switched off, a counter emf can severely damage switch contacts and greatly shorten lifetime.

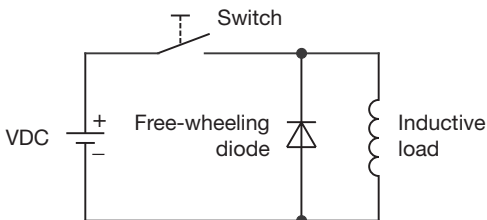
Fig. 1 shows an inductive load with a free-wheeling diode connected in parallel. This free-wheeling diode provides a path for the inductor current to flow when the current is interrupted by the switch. Without this free-wheeling diode, the voltage across the coil will be limited only by dielectric breakdown voltages of the circuit or parasitic elements of the coil. This voltage can be kilo-

volts in amplitude even when nominal circuit voltages are low (e.g. 12VDC) see Fig. 2.

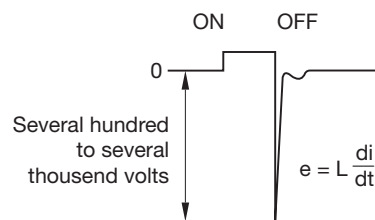
The free-wheeling diode should be chosen so that the reverse breakdown voltage is greater than the voltage driving the inductive load. The DC blocking voltage (V_R) of the free-wheeling diode can be found in the datasheet of a diode. The forward current should be equal or greater than the maximum current flowing through the load.

To get an efficient protection, the free-wheeling diode must be connected as close as possible to the inductive load!

Switching with inductive load
Fig. 1



Counter EMF
over load without free-wheeling diode
Fig. 2



Earthing required for applications from 60 V AC/DC

For applications with an operating voltage from 60 V AC/DC upwards, metal panels and metal buttons must be permanently earthed with an earth conductor (1,5 mm²) with yellow and green sheathing.

| Part No. | Page | Part No. | Page | Part No. | Page |
|-------------------|------|-------------------|------|--------------|------|
| 01-907 | 28 | 82-5153.12A4 | 11 | 82-6153.22A4 | 14 |
| 31-929 | 27 | 82-5153.2000 | 6 | 82-6154.11A4 | 14 |
| 31-946 | 27 | 82-5153.2000.B001 | 6 | 82-6154.12A4 | 14 |
| 31-991 | 28 | 82-5153.2000.B002 | 6 | 82-6154.2154 | 14 |
| 82-5151.01A4 | 22 | 82-5153.2000.B003 | 6 | 82-6154.21A4 | 14 |
| 82-5151.02A4 | 22 | 82-5153.2000.B004 | 6 | 82-6154.22A4 | 14 |
| 82-5151.1000 | 4 | 82-5153.2000.B005 | 6 | 82-6651.1000 | 18 |
| 82-5151.1000.B001 | 4 | 82-5153.2000.B006 | 6 | 82-6651.1114 | 18 |
| 82-5151.1000.B002 | 4 | 82-5153.2114 | 10 | 82-6651.1124 | 18 |
| 82-5151.1000.B003 | 4 | 82-5153.2124 | 10 | 82-6651.1134 | 18 |
| 82-5151.1000.B004 | 4 | 82-5153.2134 | 10 | 82-6651.1154 | 18 |
| 82-5151.1000.B005 | 4 | 82-5153.2144 | 10 | 82-6651.2000 | 18 |
| 82-5151.1000.B006 | 4 | 82-5153.2154 | 10 | 82-6651.2114 | 18 |
| 82-5151.1114 | 8 | 82-5153.21A4 | 11 | 82-6651.2124 | 18 |
| 82-5151.1124 | 8 | 82-5153.22A4 | 11 | 82-6651.2134 | 18 |
| 82-5151.1134 | 8 | 82-5154.1000 | 6 | 82-6651.2154 | 18 |
| 82-5151.1144 | 8 | 82-5154.1000.B001 | 6 | 82-6657.1000 | 20 |
| 82-5151.1154 | 8 | 82-5154.1000.B002 | 6 | 82-6657.1114 | 20 |
| 82-5151.11A4 | 9 | 82-5154.1000.B003 | 6 | 82-6657.1124 | 20 |
| 82-5151.12A4 | 9 | 82-5154.1000.B004 | 6 | 82-6657.1134 | 20 |
| 82-5151.2000 | 4 | 82-5154.1000.B005 | 6 | 82-6657.1154 | 20 |
| 82-5151.2000.B001 | 4 | 82-5154.1000.B006 | 6 | 82-6657.2000 | 20 |
| 82-5151.2000.B002 | 4 | 82-5154.1114 | 10 | 82-6657.2114 | 20 |
| 82-5151.2000.B003 | 4 | 82-5154.1124 | 10 | 82-6657.2124 | 20 |
| 82-5151.2000.B004 | 4 | 82-5154.1134 | 10 | 82-6657.2134 | 20 |
| 82-5151.2000.B005 | 4 | 82-5154.1144 | 10 | 82-6657.2154 | 20 |
| 82-5151.2000.B006 | 4 | 82-5154.1154 | 10 | 82-902 | 28 |
| 82-5151.2114 | 8 | 82-5154.11A4 | 11 | 82-903 | 28 |
| 82-5151.2124 | 8 | 82-5154.12A4 | 11 | 82-905 | 28 |
| 82-5151.2134 | 8 | 82-5154.2000 | 6 | 82-907 | 26 |
| 82-5151.2144 | 8 | 82-5154.2000.B001 | 6 | 82-908 | 26 |
| 82-5151.2154 | 8 | 82-5154.2000.B002 | 6 | 82-909 | 26 |
| 82-5151.21A4 | 9 | 82-5154.2000.B003 | 6 | 82-911.1 | 26 |
| 82-5151.22A4 | 9 | 82-5154.2000.B004 | 6 | 82-912.1 | 26 |
| 82-5152.01A4 | 22 | 82-5154.2000.B005 | 6 | 82-913 | 28 |
| 82-5152.02A4 | 22 | 82-5154.2000.B006 | 6 | 82-914 | 28 |
| 82-5152.1000 | 4 | 82-5154.2114 | 10 | 82-915 | 28 |
| 82-5152.1000.B001 | 4 | 82-5154.2124 | 10 | 82-916 | 28 |
| 82-5152.1000.B002 | 4 | 82-5154.2134 | 10 | 82-917 | 28 |
| 82-5152.1000.B003 | 4 | 82-5154.2144 | 10 | 82-918 | 28 |
| 82-5152.1000.B004 | 4 | 82-5154.21A4 | 11 | 84-997 | 28 |
| 82-5152.1000.B005 | 4 | 82-5154.22A4 | 10 | | |
| 82-5152.1000.B006 | 4 | 82-6151.01A4 | 24 | | |
| 82-5152.1114 | 8 | 82-6151.02A4 | 24 | | |
| 82-5152.1124 | 8 | 82-6151.11A4 | 12 | | |
| 82-5152.1134 | 8 | 82-6151.12A4 | 12 | | |
| 82-5152.1144 | 8 | 82-6151.1A14.B001 | 16 | | |
| 82-5152.1154 | 8 | 82-6151.1A14.B002 | 16 | | |
| 82-5152.11A4 | 9 | 82-6151.1A14.B006 | 16 | | |
| 82-5152.12A4 | 9 | 82-6151.1A14.B015 | 16 | | |
| 82-5152.2000 | 4 | 82-6151.1A24.B004 | 16 | | |
| 82-5152.2000.B001 | 4 | 82-6151.1A24.B006 | 16 | | |
| 82-5152.2000.B002 | 4 | 82-6151.1A24.B015 | 16 | | |
| 82-5152.2000.B003 | 4 | 82-6151.1A34.B001 | 16 | | |
| 82-5152.2000.B004 | 4 | 82-6151.1A34.B002 | 16 | | |
| 82-5152.2000.B005 | 4 | 82-6151.1A34.B006 | 16 | | |
| 82-5152.2000.B006 | 4 | 82-6151.1A54.B004 | 16 | | |
| 82-5152.2114 | 8 | 82-6151.1A54.B015 | 16 | | |
| 82-5152.2124 | 8 | 82-6151.1AA4.B001 | 16 | | |
| 82-5152.2134 | 8 | 82-6151.1AA4.B002 | 16 | | |
| 82-5152.2144 | 8 | 82-6151.1AA4.B004 | 16 | | |
| 82-5152.2154 | 8 | 82-6151.1AA4.B006 | 16 | | |
| 82-5152.21A4 | 9 | 82-6151.1AA4.B015 | 16 | | |
| 82-5152.22A4 | 9 | 82-6151.21A4 | 12 | | |
| 82-5153.1000 | 6 | 82-6151.22A4 | 12 | | |
| 82-5153.1000.B001 | 6 | 82-6151.2A14.B001 | 16 | | |
| 82-5153.1000.B002 | 6 | 82-6151.2A34.B001 | 16 | | |
| 82-5153.1000.B003 | 6 | 82-6151.2AA4.B001 | 16 | | |
| 82-5153.1000.B004 | 6 | 82-6152.01A4 | 24 | | |
| 82-5153.1000.B005 | 6 | 82-6152.02A4 | 24 | | |
| 82-5153.1000.B006 | 6 | 82-6152.11A4 | 12 | | |
| 82-5153.1114 | 10 | 82-6152.12A4 | 12 | | |
| 82-5153.1124 | 10 | 82-6152.21A4 | 12 | | |
| 82-5153.1134 | 10 | 82-6152.22A4 | 12 | | |
| 82-5153.1144 | 10 | 82-6153.11A4 | 14 | | |
| 82-5153.1154 | 10 | 82-6153.12A4 | 14 | | |
| 82-5153.11A4 | 11 | 82-6153.21A4 | 14 | | |

| |
|-----------|
| 01 |
| 02 |
| 03 |
| 04 |
| 09 |
| 14 |
| 17 |
| 18 |
| 19 |
| 22 |
| 31 |
| 41 |
| 45 |
| 51 |
| 56 |
| 57 |
| 61 |
| 70 |
| 71 |
| 82 |
| 84 |
| 92 |
| 96 |

